

PRIPORT GOLD PARTS CATALOG

First Edition November 1996

PARTS CATALOG

INTRODUCTION

This chapter instructs you the numbers and names of parts on this machine.

INDEX to PARTS CATALOG

**PRIPORT GOLD
TAPE MARKER TYPE20**

**(C226)
(C532)**

PRIPORT GOLD (C226)

PARTS CATALOG

INTRODUCTION

This chapter instructs you the numbers and names of parts on this machine.

INDEX to PARTS CATALOG

Location of Unit	2	18.Delivery Table (C226).....	42
1.Exterior 1 (C226)	8	19.Drum Section 1 (C226).....	44
2.Exterior 2 (C226)	10	20.Drum Section 2 (C226).....	46
3.ADF Unit 1 (C226)	12	21.Drum Section 3 (C226).....	48
4.ADF Unit 2 (C226)	14	22.Drum Section 4 (C226).....	50
5.Scanner unit 1 (C226)	16	23.Master Feed Section 1 (C226)	52
6.Scanner unit 2 (C226)	18	24.Master Feed Section 2 (C226)	54
7.Paper Table (C226)	20	25.Master Feed Section 3 (C226)	56
8.Paper Table Drive (C226).....	22	26.Master Feed Section 4 (C226)	58
9.Paper Feed And Separation Roller (C226).....	24	27.Master Eject Section 1 (C226).....	60
10.Paper Separation Roller (C226)	26	28.Master Eject Section 2 (C226).....	62
11.Paper Feed Drive (C226)	28	29.Master Eject Section 3 (C226).....	64
12.2nd Feed Roller (C226)	30	30.Drive Section 1 (C226)	66
13.2nd Feed Drive (C226)	32	31.Drive Section 2 (C226)	68
14.Press Roller (C226)	34	32.Drive Section 3 (C226)	70
15.Air Knife Section (C226)	36	33.Electrical Section (C226)	76
16.Paper Delivery 1 (C226)	38	34.Frame 1 (C226)	72
17.Paper Delivery 2 (C226)	40	35.Frame 2 (C226)	74

November,15'96

PARTS CATALOG

INTRODUCTION

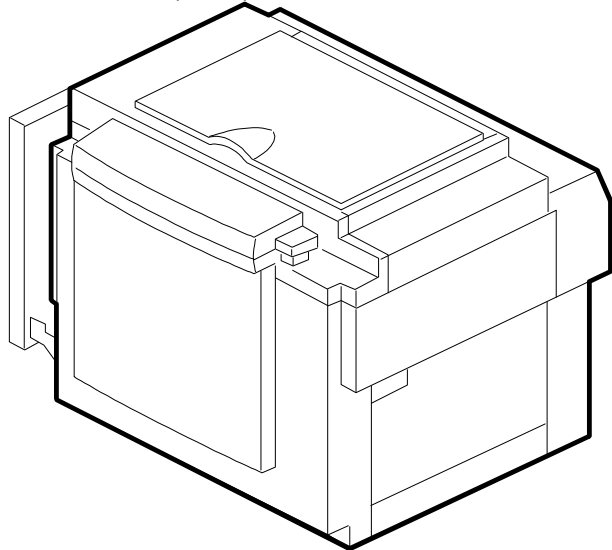
This chapter instructs you the numbers and names of parts on this machine.

INDEX to PARTS CATALOG

36.Main Control Board (C226).....	78
37.DC Drive Board (C226)	84
38.Decal And Document (C226).....	86
39.Accessories And Special Tools (C226)	88
PARTS INDEX	91

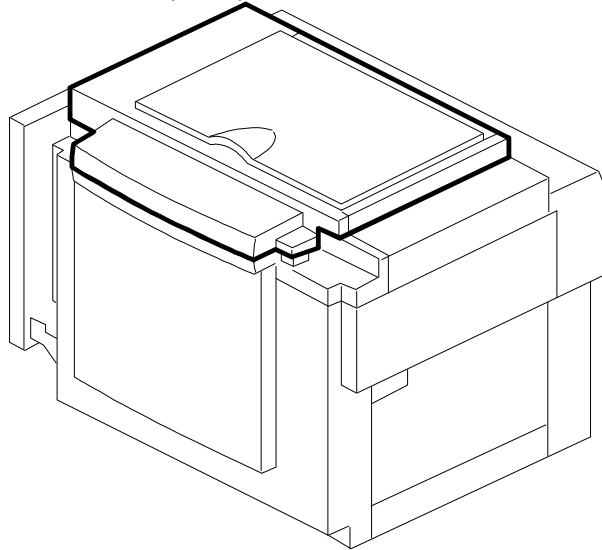
Location of Unit

1. Exterior 1 (C226)



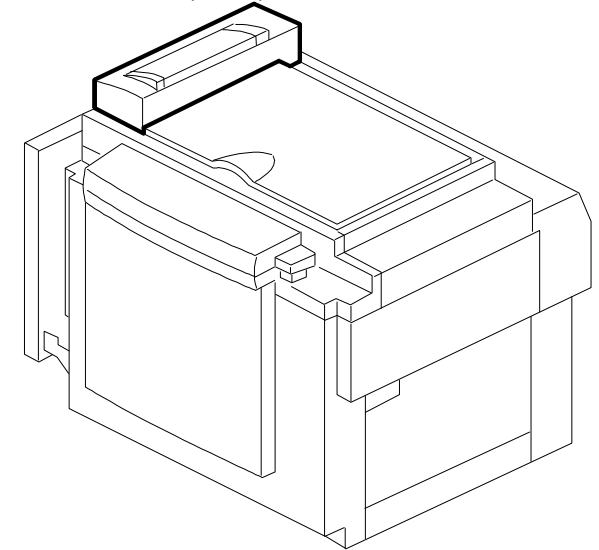
See Page 8

2. Exterior 2 (C226)



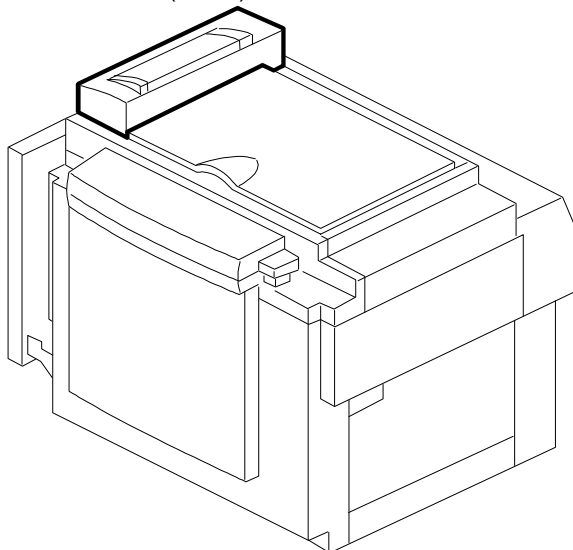
See Page 10

3. ADF Unit 1 (C226)



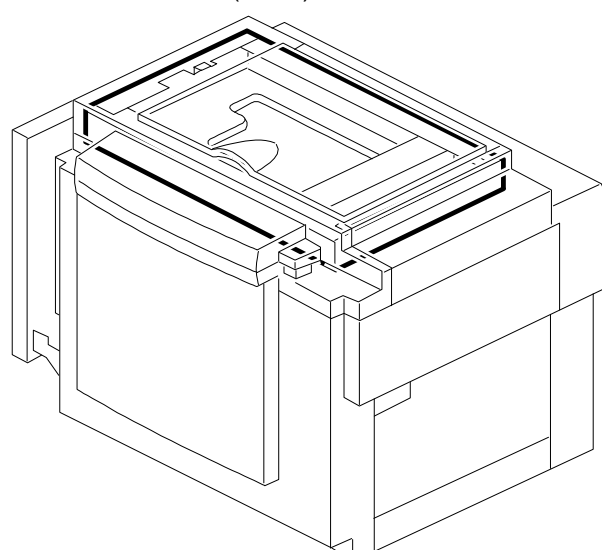
See Page 12

4. ADF Unit 2 (C226)



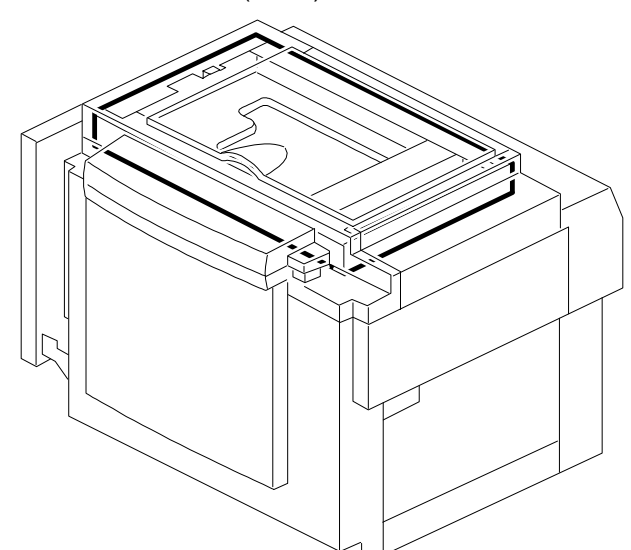
See Page 14

5. Scanner unit 1 (C226)



See Page 16

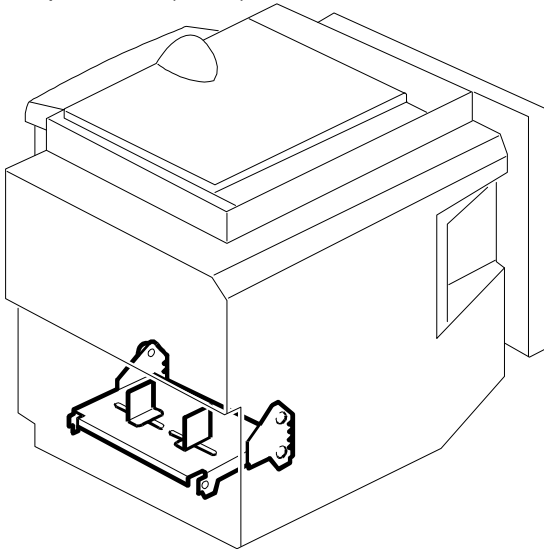
6. Scanner unit 2 (C226)



See Page 18

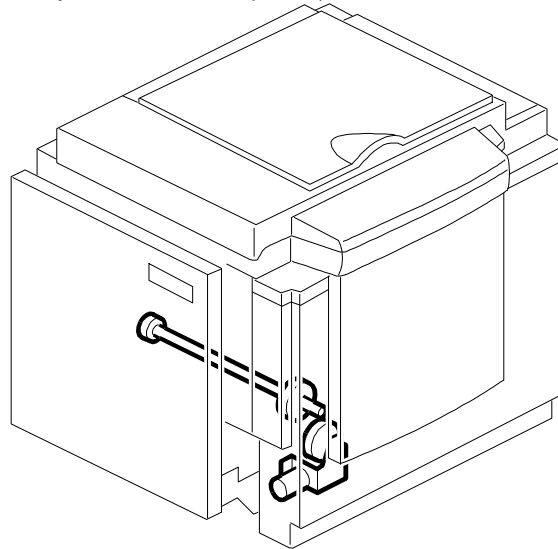
Location of Unit

7. Paper Table (C226)



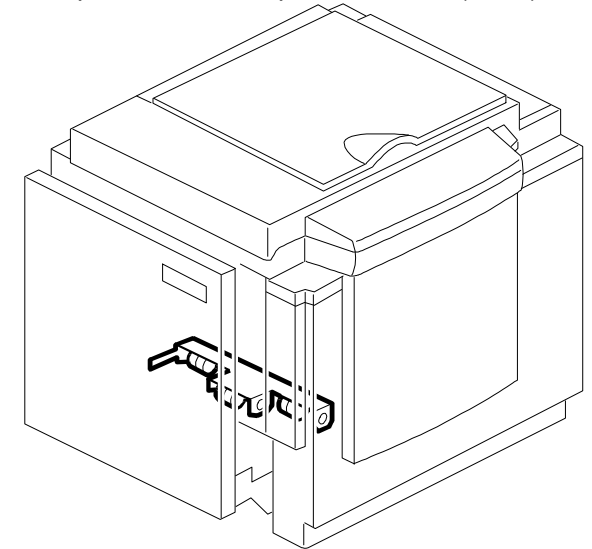
See Page 20

8. Paper Table Drive (C226)



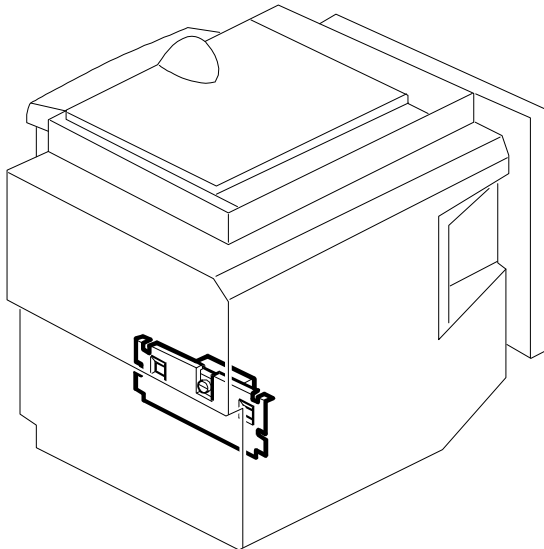
See Page 22

9. Paper Feed And Separation Roller (C226)



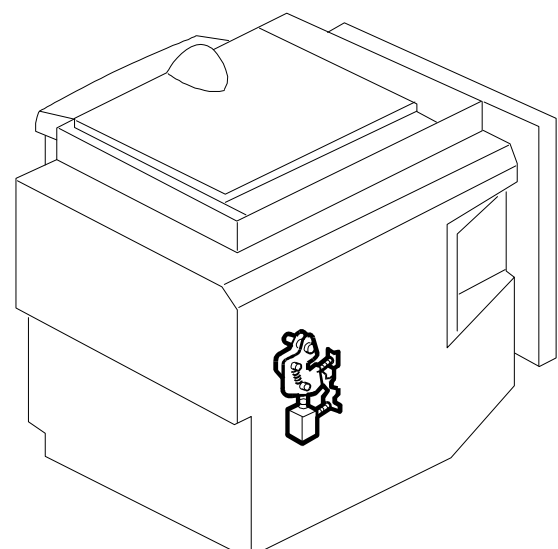
See Page 24

10. Paper Separation Roller (C226)



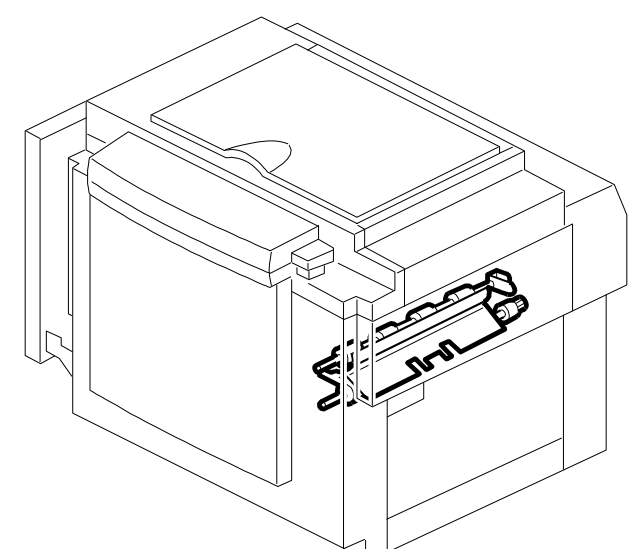
See Page 26

11. Paper Feed Drive (C226)



See Page 28

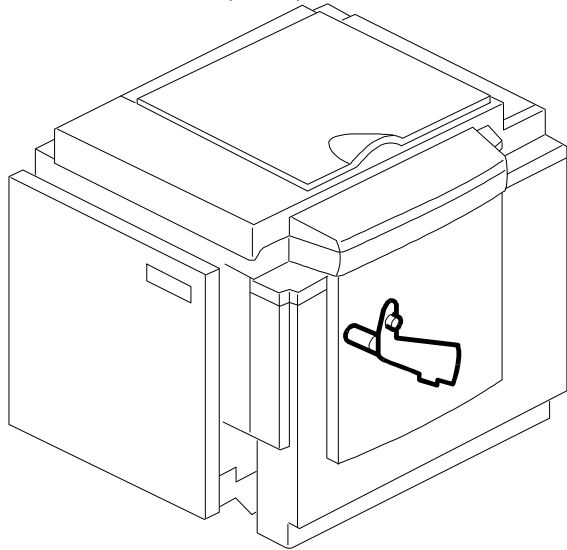
12. 2nd Feed Roller (C226)



See Page 30

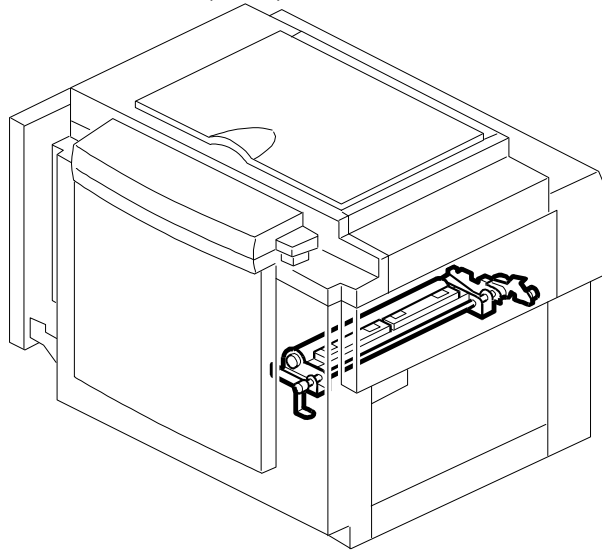
Location of Unit

13. 2nd Feed Drive (C226)



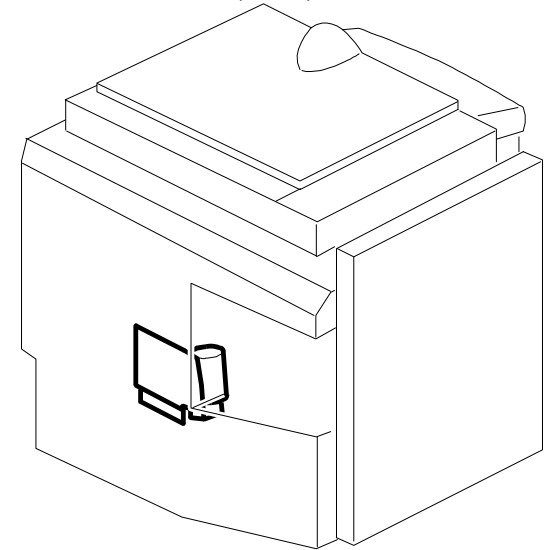
See Page 32

14. Press Roller (C226)



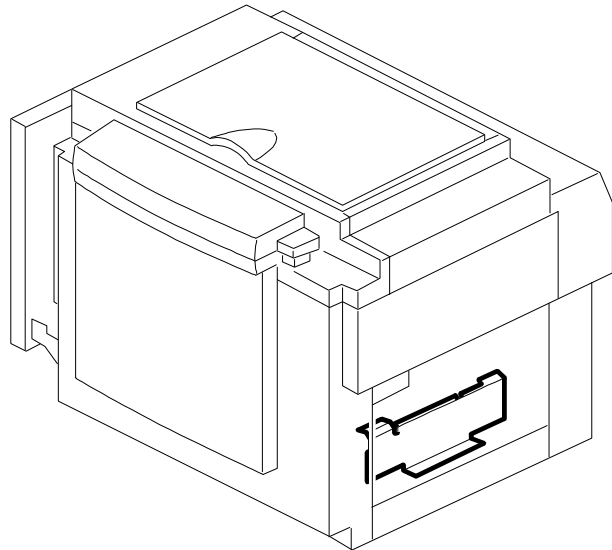
See Page 34

15. Air Knife Section (C226)



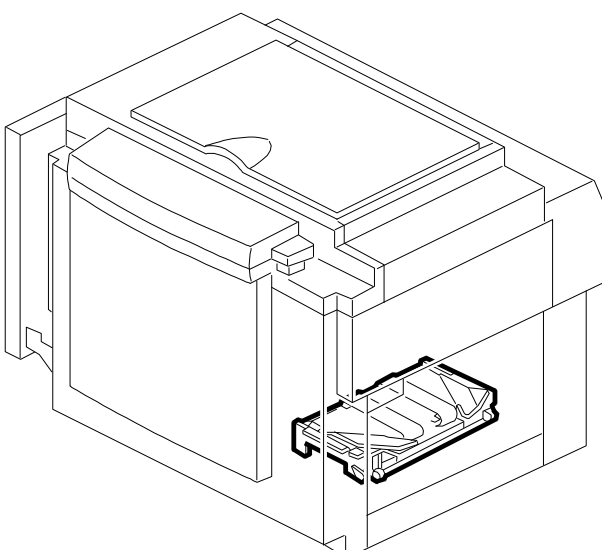
See Page 36

16. Paper Delivery 1 (C226)



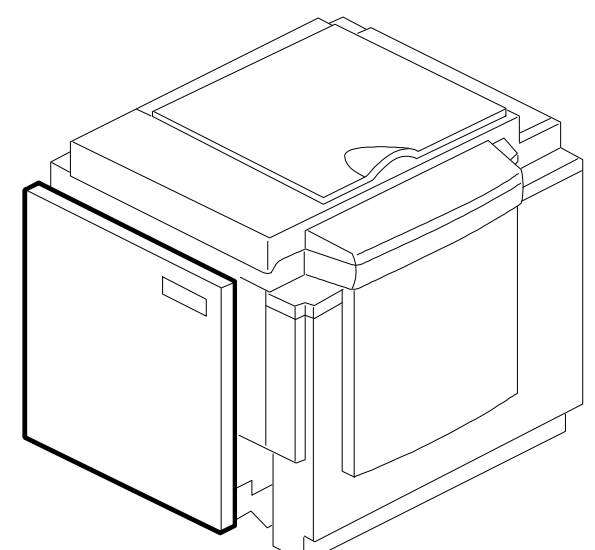
See Page 38

17. Paper Delivery 2 (C226)



See Page 40

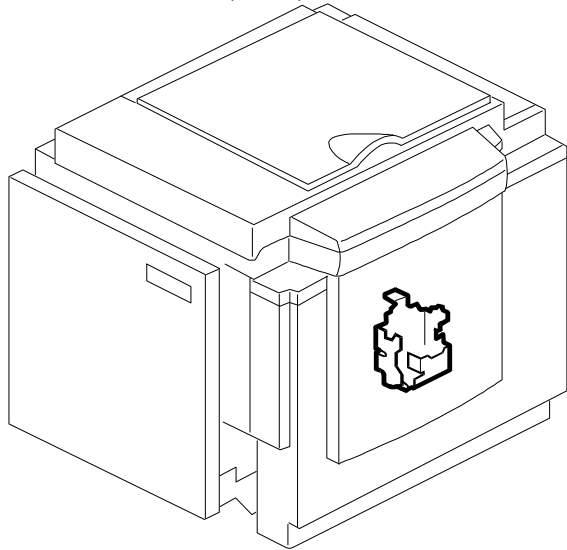
18. Delivery Table (C226)



See Page 42

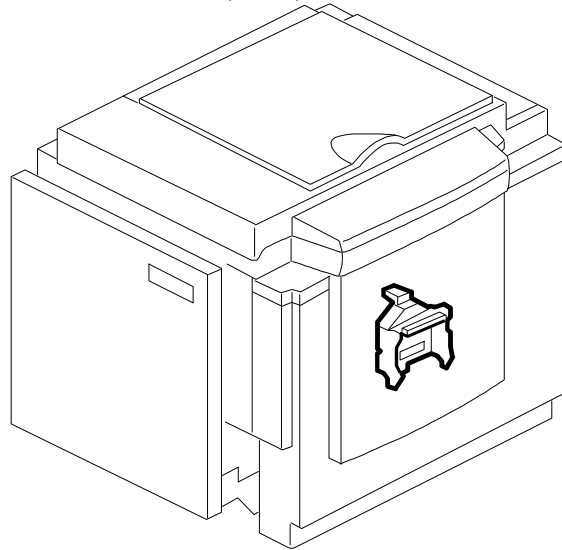
Location of Unit

19. Drum Section 1 (C226)



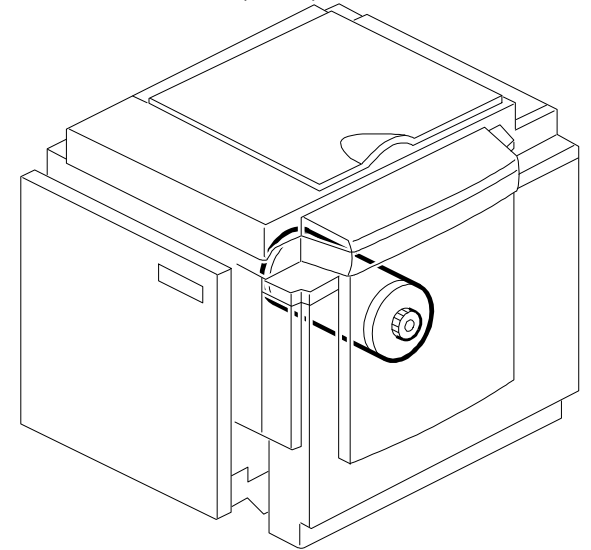
See Page 44

20. Drum Section 2 (C226)



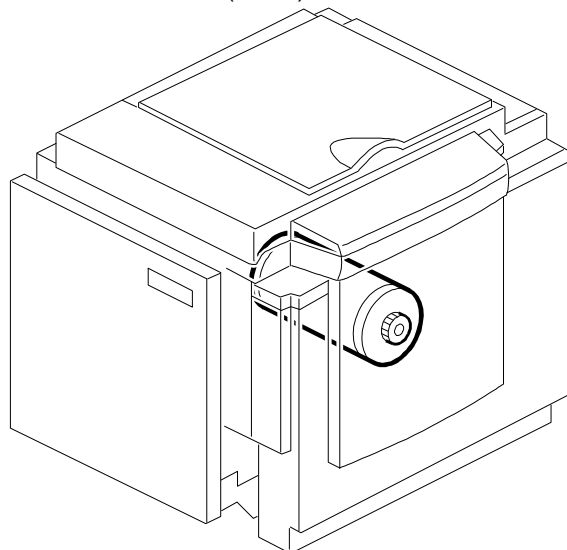
See Page 46

21. Drum Section 3 (C226)



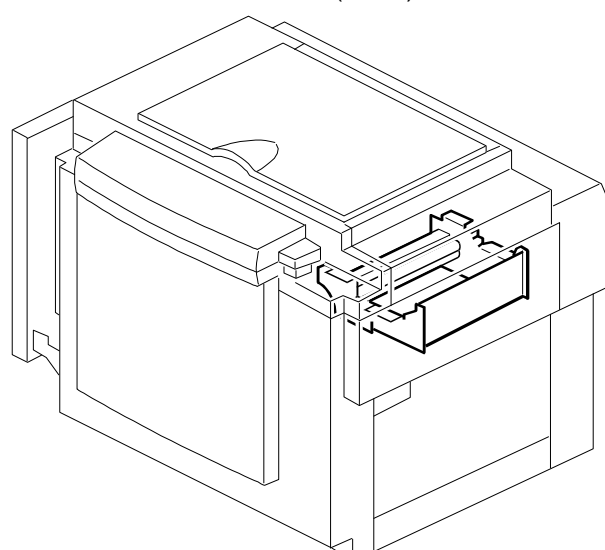
See Page 48

22. Drum Section 4 (C226)



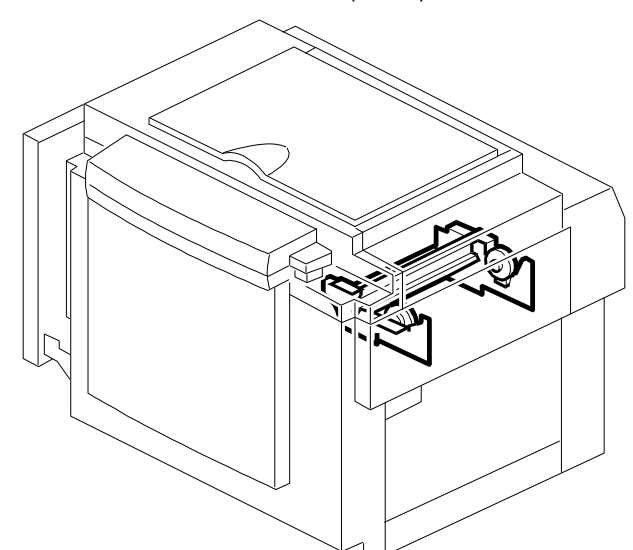
See Page 50

23. Master Feed Section 1 (C226)



See Page 52

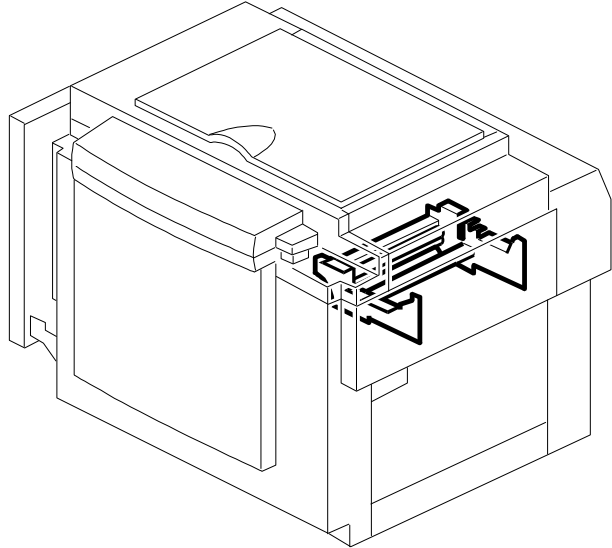
24. Master Feed Section 2 (C226)



See Page 54

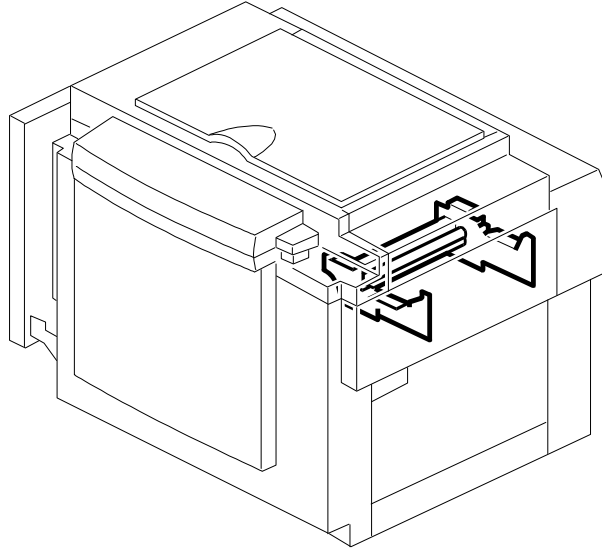
Location of Unit

25. Master Feed Section 3 (C226)



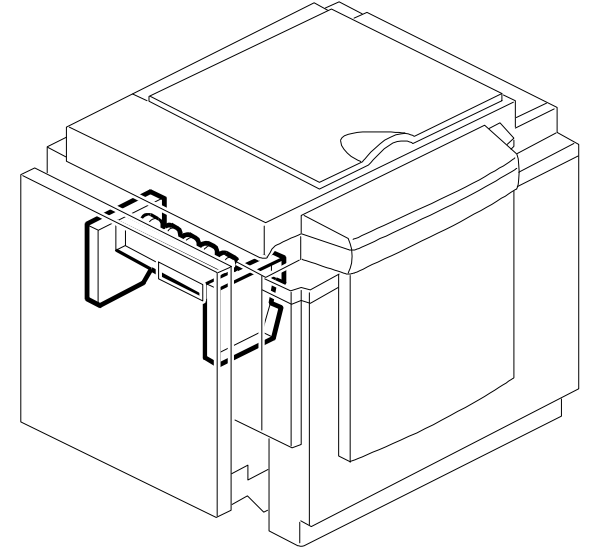
See Page 56

26. Master Feed Section 4 (C226)



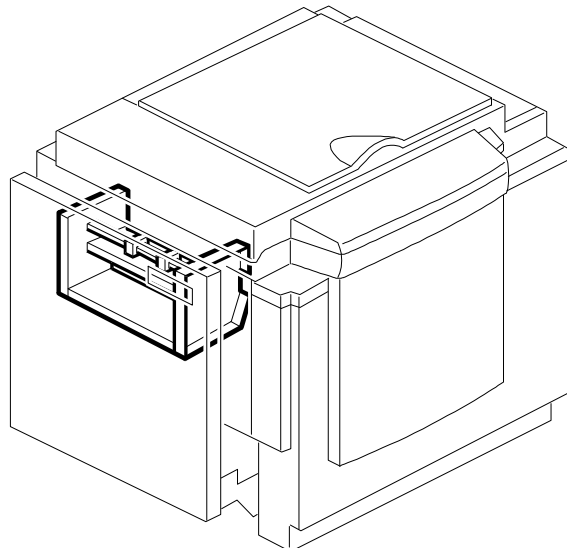
See Page 58

27. Master Eject Section 1 (C226)



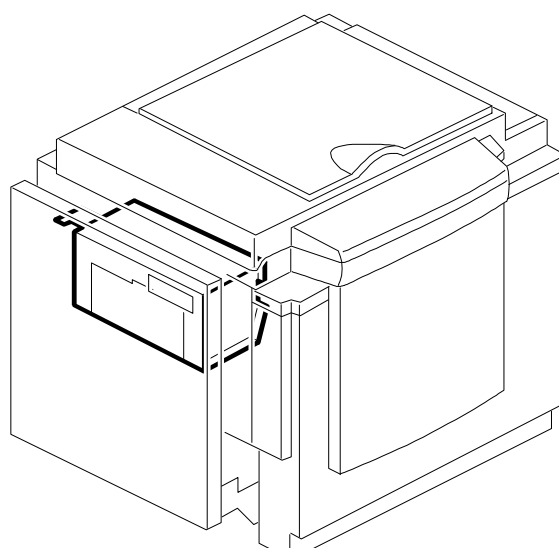
See Page 60

28. Master Eject Section 2 (C226)



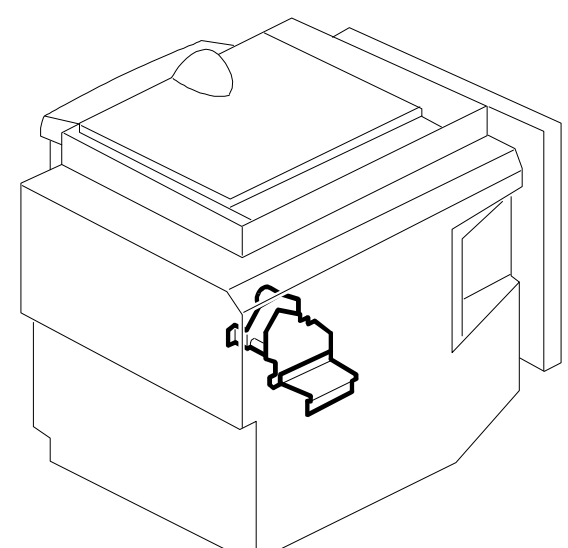
See Page 62

29. Master Eject Section 3 (C226)



See Page 64

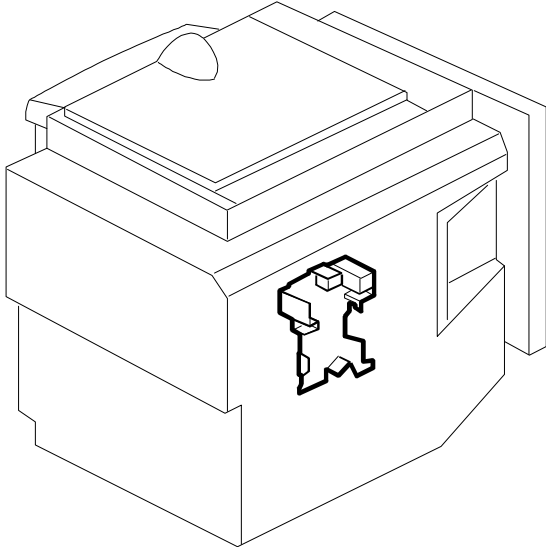
30. Drive Section 1 (C226)



See Page 66

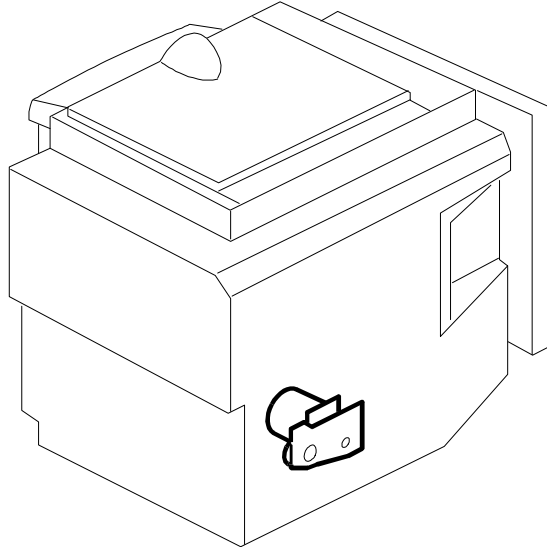
Location of Unit

31. Drive Section 2 (C226)



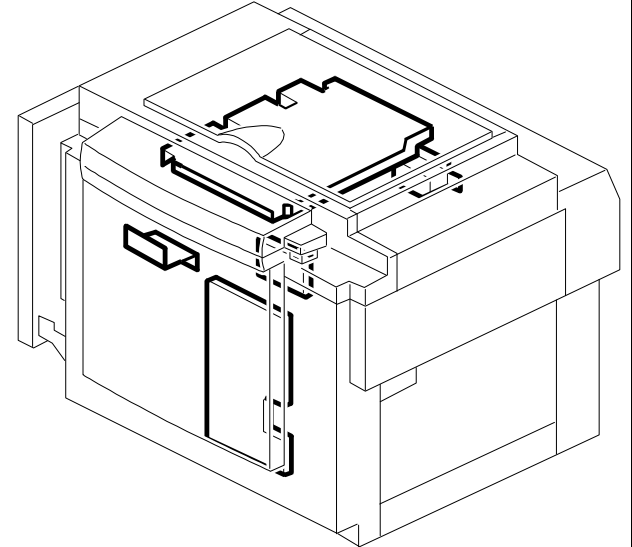
See Page 68

32. Drive Section 3 (C226)



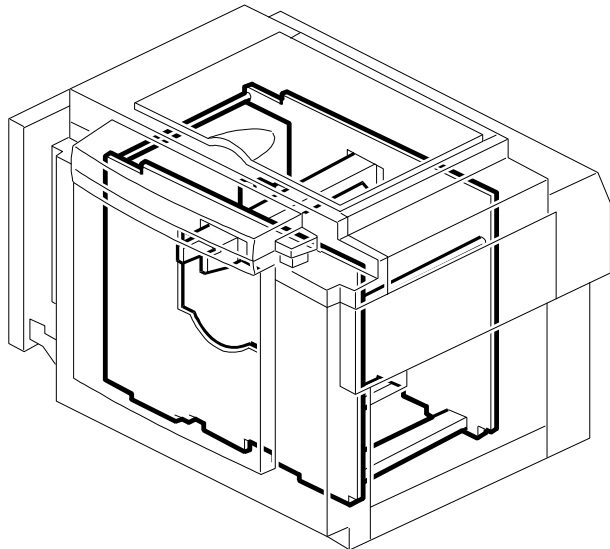
See Page 70

33. Electrical Section (C226)



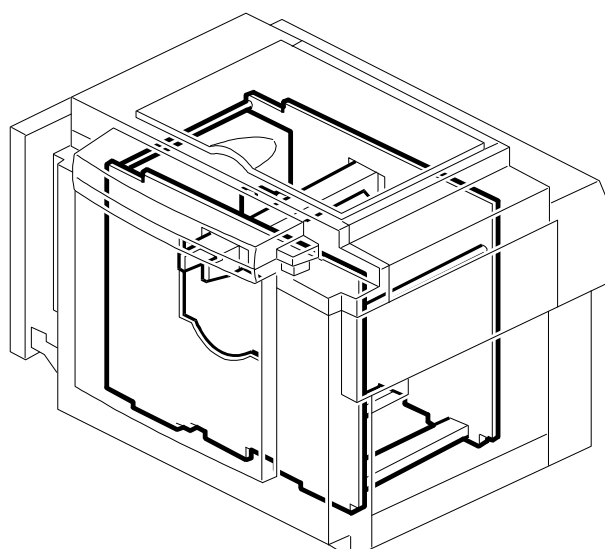
See Page 76

34. Frame 1 (C226)



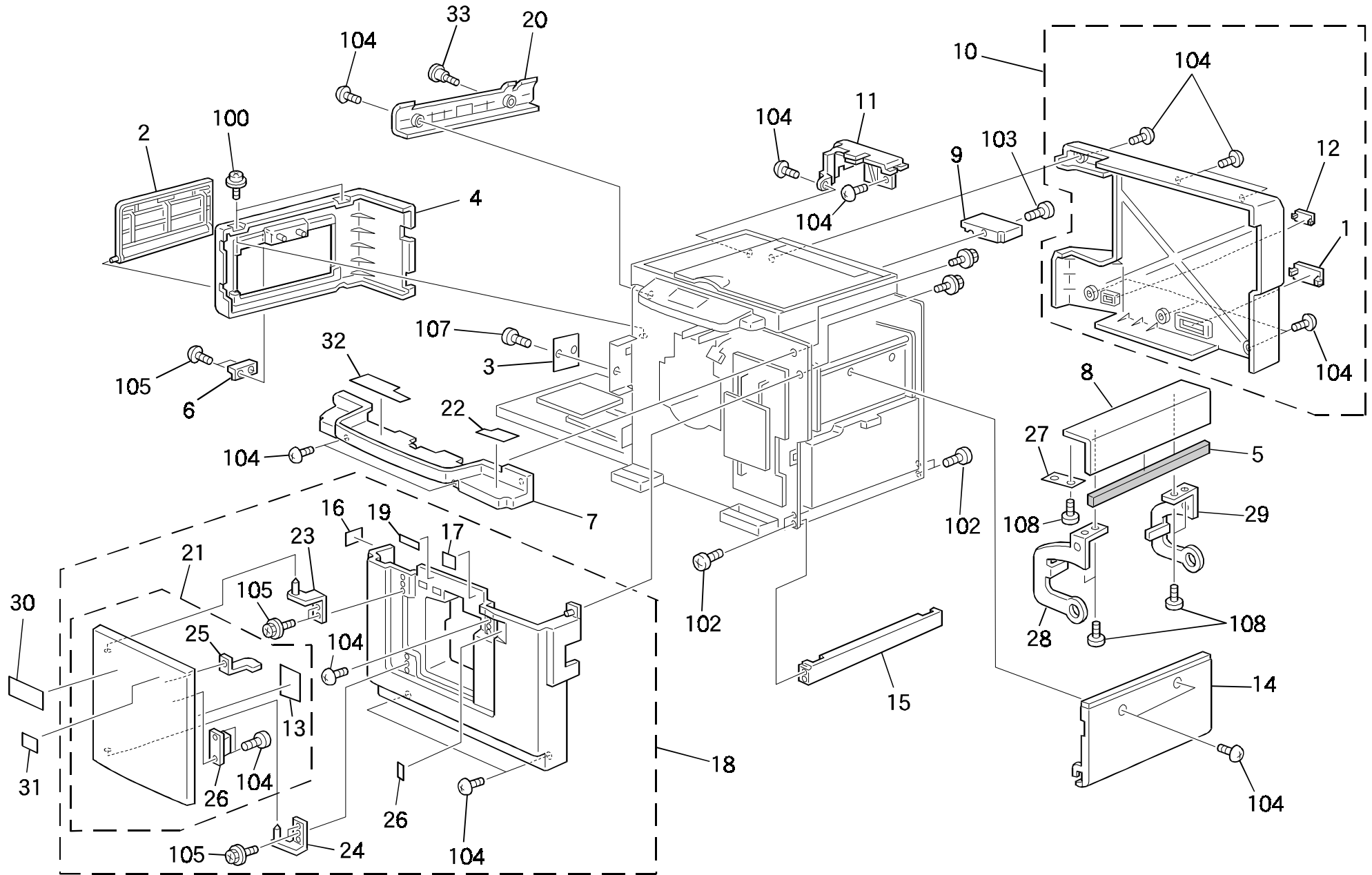
See Page 72

35. Frame 2 (C226)



See Page 74

1. Exterior 1 (C226)

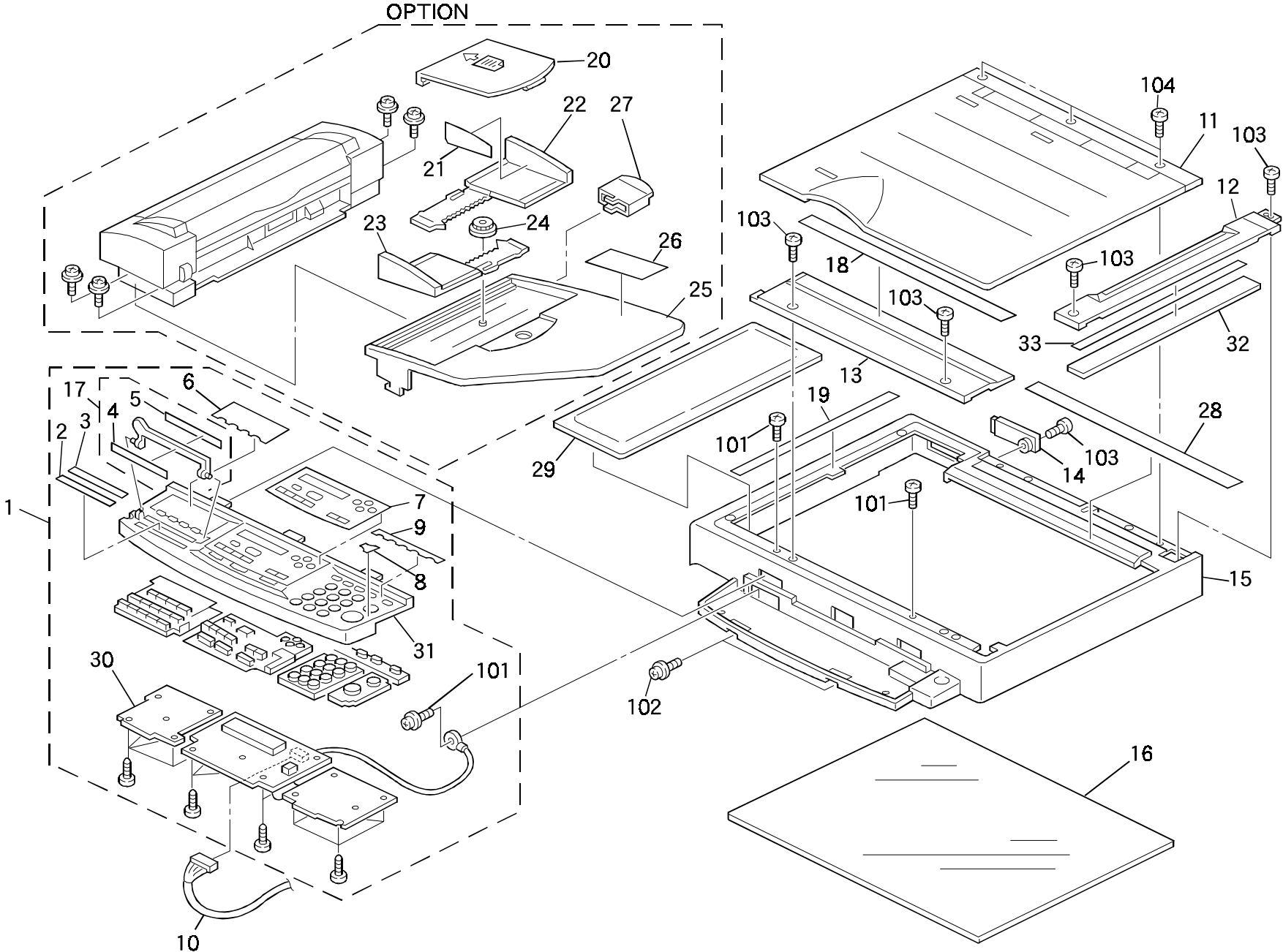


1. Exterior 1 (C226)

Index No.	Part No.	Description	Q'ty Per Assembly
1	C217 2454	Rear Cover Cap- Large	1
2	C218 2455	Master Eject Door	1
3	C217 2455	Key Counter Cover	1
4	C203 2130	Master Eject Cover	1
5	C226 2456	Sponge	1
6	AG07 0004	Magnetic Catch	1
7	C226 2440	Front Upper Cover	1
8	C226 2450	Plotter Upper Cover	1
9	C203 2430	Rear Cover Bracket	1
10	C226 2415	Rear Cover Ass'y	1
11	C226 2430	Rear Auxiliary Cover	1
12	C217 2453	Rear Cover Cap- Small	1
13	C226 2751	Decal - Ink Supply	1
14	C224 2436	Plotter Cover	1
15	C224 2431	Paper Feed Support Cover	1
16	C218 2825	Decal - Master Eject Open	1
17	C224 2742	Decal - Drum Operation	1
18	C226 2400	Front Cover Ass'y (RIC)(A4)	1
18	C226 2414	Front Cover Ass'y (RIC)(LT)	1
18	C226 2495	Front Cover Ass'y (SVN)	1
18	C226 2810	Front Cover Ass'y (NRG)(LT)	1
18	C226 2800	Front Cover Ass'y (NRG)(A4)	1
18	C226 2900	Front Cover Ass'y (AB-Dick)	1
19	C224 2766	Decal - Counter	1
20	C226 2420	Left Upper Cover	1
21	C226 2410	Front Door Ass'y (RIC)	1
21	C226 2730	Front Door Ass'y (SVN)	1
21	C226 2805	Front Door Ass'y (NRG)	1
21	C226 2905	Front Door Ass'y (AB-Dick)	1
22	C225 2866	Decal - Key Top Cover	1
22	C225 2867	Decal - Cover - Panel - Nashua	1
23	C226 2404	Upper Hinge	1
24	C226 2406	Lower Hinge	1
25	C226 2434	Switch Rod	1
26	C226 2435	Magnetick Catch	1

Index No.	Part No.	Description	Q'ty Per Assembly
27	C226 2451	Magnet Holder	1
28	C226 2452	Left Plotter Cover Hinge	1
29	C226 2453	Right Plotter Cover Hinge	1
30	C226 2815	Model Name Plate - Ges 5329I	1
30	C226 2816	Model Name Plate - Rex 1254I	1
30	C226 2817	Model Name Plate - Nsa Cp329I	1
31	C226 2732	Emblem	1
31	C226 2740	Emblem	1
32	C226 2736	Decal - Caution	1
33	C218 2525	Stepped Screw - M4	1
100	0433 0080Z	Tapping Screw - M3x8	
101	0323 0100Z	Philips Sunken Head Screw - M3x10	
102	0314 0080Z	Philips Screw - 4x8	
103	0801 1004	Screw - M4X4	
104	0344 0080D	Philips Truss Head Screw - M4x8	
105	0434 0082Z	Tapping Screw - M4x8	
106	0951 3006Z	Philips Screw With Flat Washer - M3	
107	0333 0080D	Philips Counter Sunk Screw - M3x8	
108	0450 4008W	Philips Tapping Screw - M4x8	

2. Exterior 2 (C226)

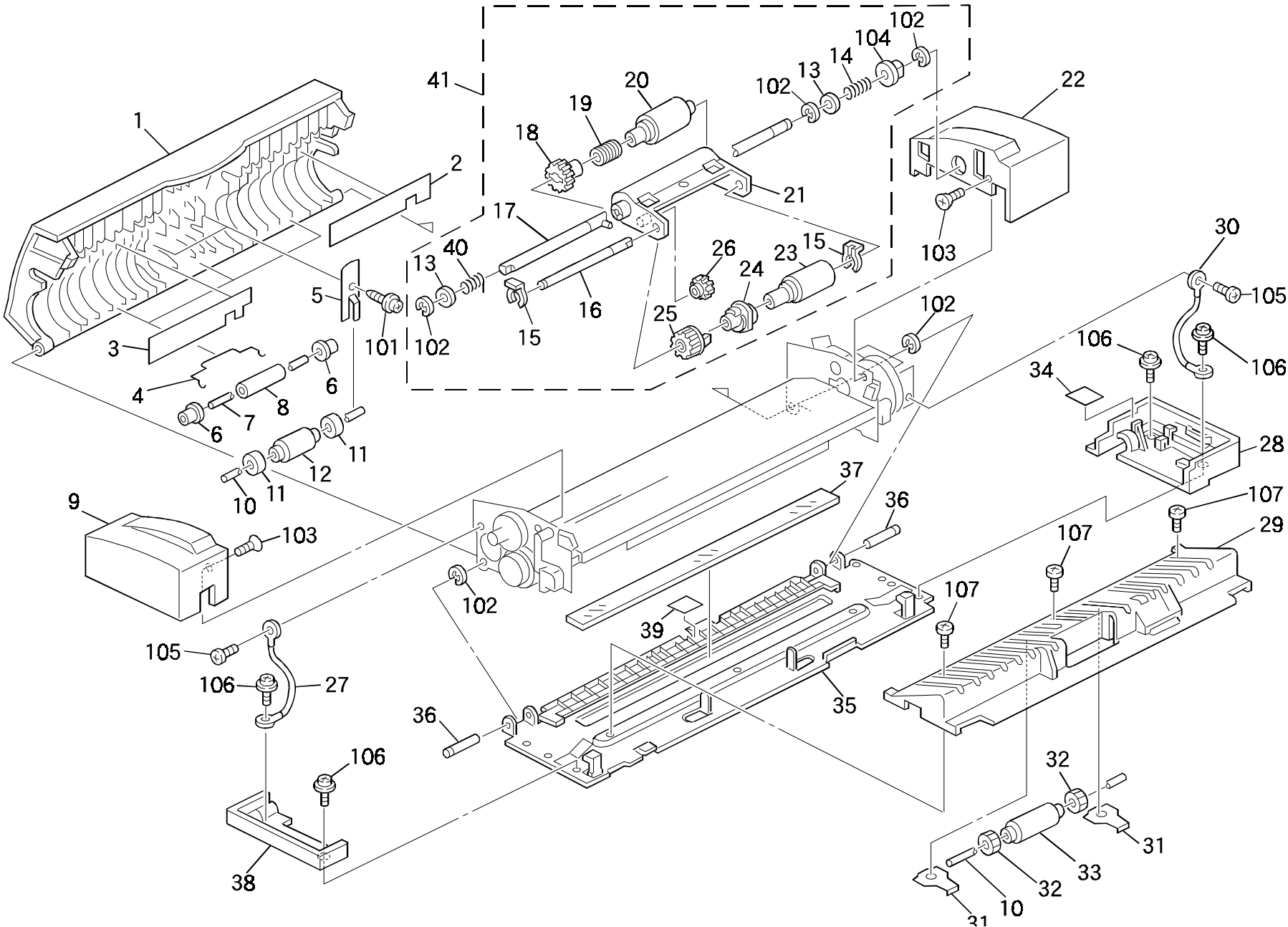


2. Exterior 2 (C226)

Index No.	Part No.	Description	Q'ty Per Assembly
1	C226 2720	Operation Panel Ass'y (LT)	1
1	C226 2725	Operation Panel Ass'y - A4	1
2	C226 2979	Sheet - Switching Plate 4 (LT)	1
2	C226 2989	Sheet - Switching Plate 4 (A4)	1
3	C226 2976	Sheet - Switching Plate 1 (LT)	1
3	C226 2986	Sheet - Switching Plate 1 (A4)	1
4	C226 2978	Sheet - Switching Plate 3 (LT)	1
4	C226 2988	Sheet - Switching Plate 3 (A4)	1
5	C226 2977	Sheet - Switching Plate 2 (LT)	1
5	C226 2987	Sheet - Switching Plate 2 (A4)	1
6	C226 2972	Sheet - Operation A (LT)	1
6	C226 2982	Sheet - Operation A (A4)	1
7	C226 2973	Sheet - Operation B (LT)	1
7	C226 2983	Sheet - Operation B (A4)	1
8	H521 4313	Seal - Operation Panel - D (LT)	1
8	C226 2985	Sheet - Operation D (A4)	1
9	C226 2974	Sheet Operation C (LT)	1
9	C226 2984	Sheet - Operation C (A4)	1
10	C226 3341	Operation Panel Harness	1
11	H521 1105	Platen Cover Ass'y	1
12	C226 3301	Original Scale	1
13	H521 1124	Scale - Side	1
14	C226 3336	Connector Cover	1
15	H521 1103	Cover - Original Tray	1
16	H521 1110	Exposure Glass	1
17	C226 2971	Switching Plate (LT)	1
17	C226 2981	Switching Plate - A4	1
18	C226 3305	Decal - Front Original Set	1
19	H521 1356	Sheet	1
20	H521 1324	Original Guide Cover	1
21	H521 1357	Decal - Original Level	1
22	H521 1323	Rear Guide - Original	1
23	H521 1322	Front Guide - Original	1
24	H521 1325	Original Guide Gear	1
25	H521 1320	Original Table	1

Index No.	Part No.	Description	Q'ty Per Assembly
26	H521 1359	Decal - Original Table	1
27	H521 1160	Stopper Pressure Plate	1
28	C226 3306	Decal - Rear Original Set	1
29	C226 3335	ADF Cover	1
30	C226 8080	Operation Panel Board	1
31	C226 2980	Operation Panel Cover- A4	1
31	C226 2970	Operation Panel Cover (LT)	1
32	H521 1104	Shading Sheet	1
33	C226 3302	Both Adhesive Tape	1
101	0951 3006B	Philips Screw With Flat Washer - M3x6	
102	0353 0060Z	Screw - M3X6	
103	0353 0080Z	Philips Trass Head Screw - M3x8	
104	0353 0100Z	Bind Screw - M3x10	

3. ADF Unit 1 (C226)

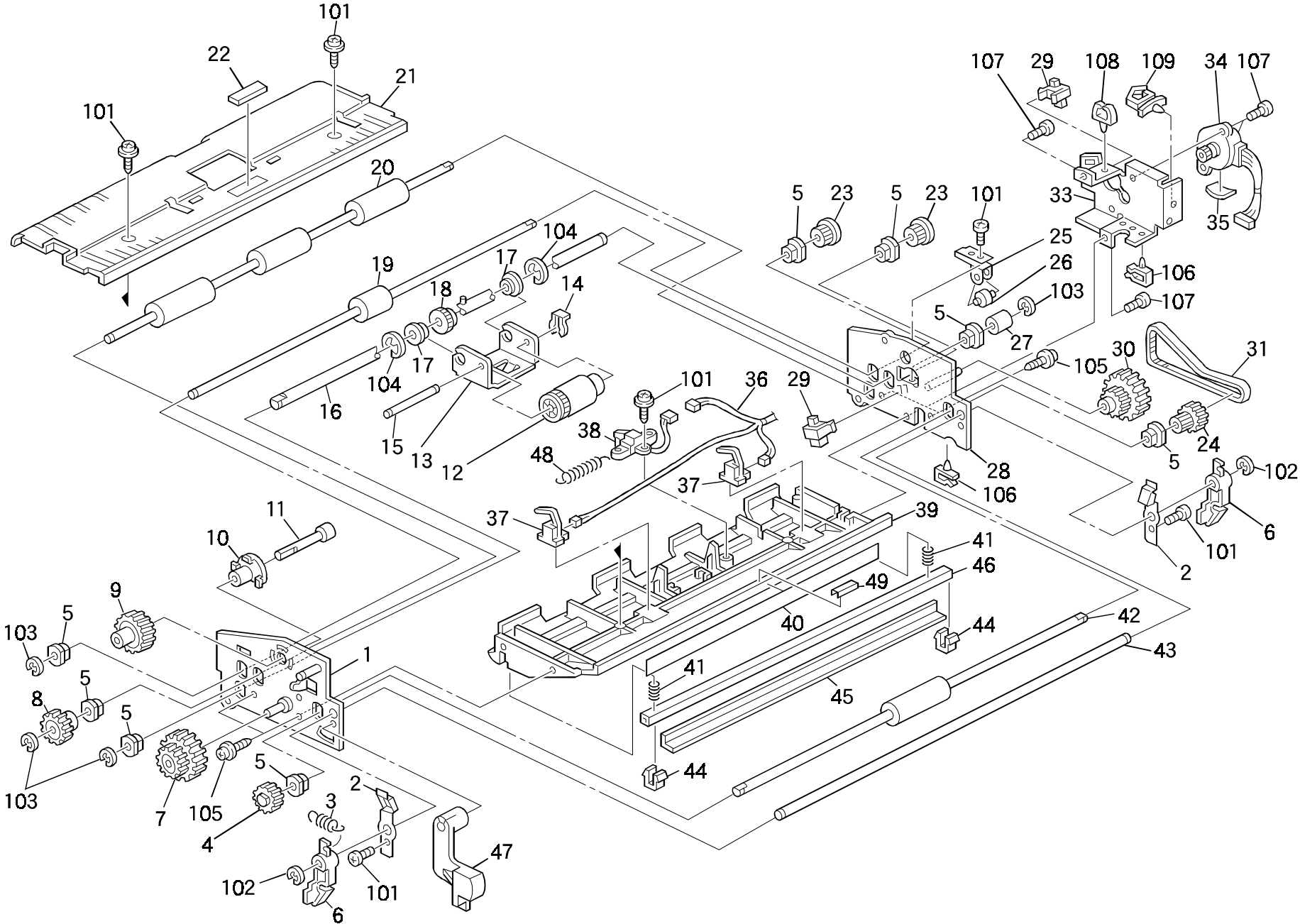


3. ADF Unit 1 (C226)

Index No.	Part No.	Description	Q'ty Per Assembly
1	H521 1257	Upper Cover - ADF	1
2	H521 1342	Guide Mylar - Rear	1
3	H521 1334	Guide Mylar - Front	1
4	H521 1304	Spring R1	3
5	H521 1303	Spring Plate - R0	2
6	H521 1354	Collar R1	6
7	H521 1307	Guide Roller Shaft	3
8	H521 1301	Pressure Roller - R1	3
9	H521 1318	Cover - Front	1
10	H521 1306	Guide Roller Shaft	2
11	H521 1348	Collor R0	2
12	H521 1337	Guide Roller R0	1
13	H006 2316	Spacer - Pick-up Clutch	2
14	H521 1314	Spring Clutch - M6	1
15	H081 3407	Snap Ring - M2.5	2
16	H521 1294	Shaft - Pickup	1
17	H521 1292	Shaft - Feed Roller	1
18	H521 1286	Gear - Feed Roller	1
19	H521 1316	Spring Clutch - M9	1
20	H521 1367	Feed Roller	1
21	H521 1268	Bracket - Pickup	1
22	H521 1328	Cover - Rear - ADF	1
23	H521 1366	ADF Pickup Roller	1
24	H521 1288	Collar - Pickup	1
25	H521 1287	Gear - Pickup Roller	1
26	H081 1046	Idler Gear - ADF Pick-up Roller	1
27	H521 5332	Grownding Wire - 70	1
28	H521 1330	Cover - Rear/lower - ADF	1
29	H521 1259	Guide Plate R2	1
30	H521 5331	Grownding Wire - 125	1
31	H521 1305	Spring Plate R2	2
32	H521 1319	Exit Roller Colar	1
33	H521 1302	Guide Roller R2	1
34	H521 1368	Sheet - Interlock SW.	1
35	H521 1214	Base - ADF	1

Index No.	Part No.	Description	Q'ty Per Assembly
36	H521 1310	Pin Shaft	2
37	H521 1278	Exposure Glass - ADF Option	1
38	H521 1338	Cover - Front - Lower	1
39	H521 1364	Guide Sheet	1
40	H521 1317	Pressure Spring	1
41	H521 1210	ADF Roller Unit	1
101	0802 5230	Tapping Screw - M3x10	
102	0720 0040E	Retaining Ring - M4	
103	0323 0060B	Philips Sunk Screw - M3x6	
104	0805 3386	Bushing - 8mm	
105	0313 0030B	Philips Pan Head Screw - M3x3	
106	0951 3006B	Philips Screw With Flat Washer - M3x6	
107	0313 0060B	Philips Pan Head Screw - M3x6	

4. ADF Unit 2 (C226)

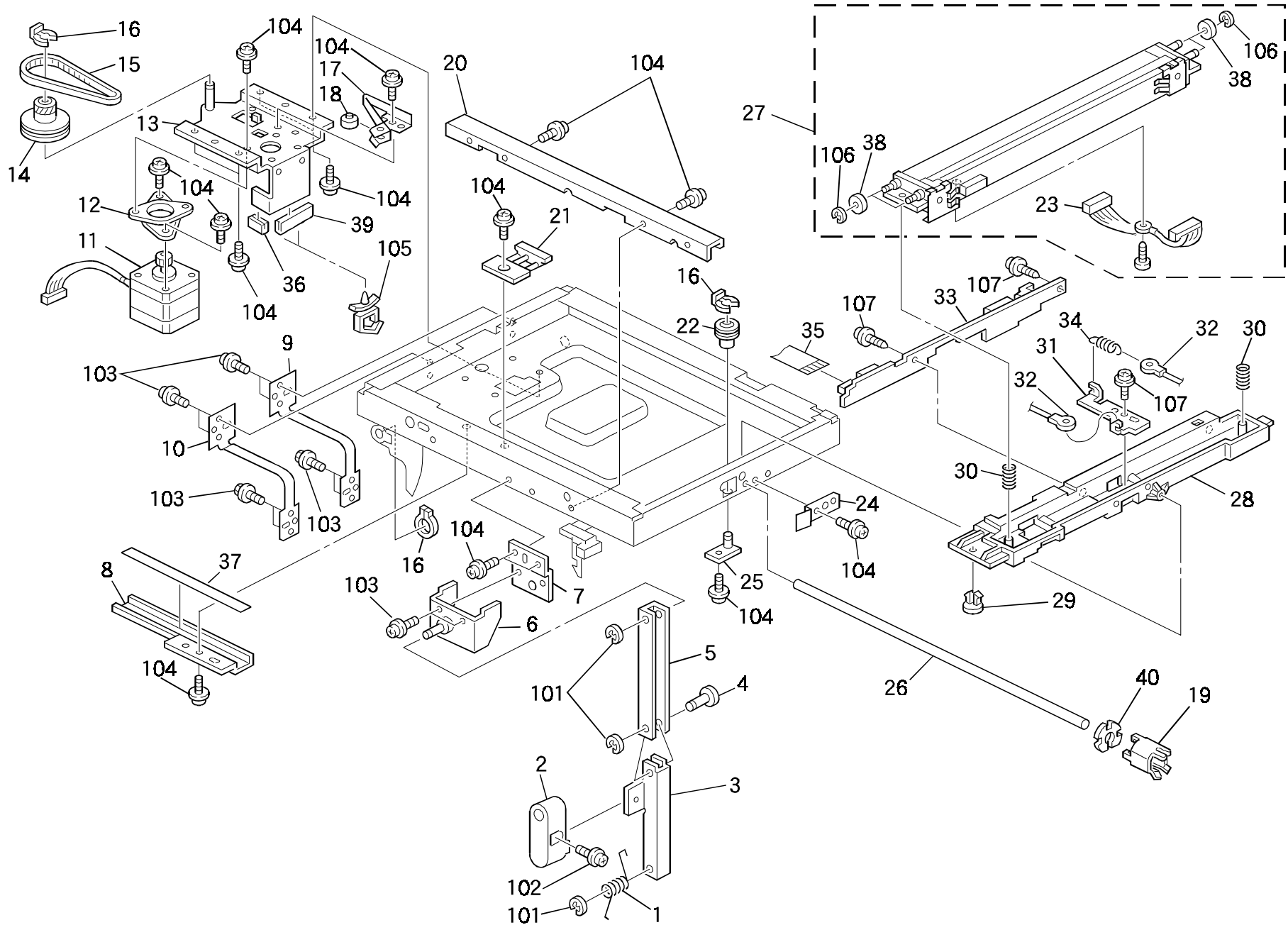


4. ADF Unit 2 (C226)

Index No.	Part No.	Description	Q'ty Per Assembly
1	H521 1261	Front Side Plate	1
2	H521 1308	Lock Spring	2
3	H521 1336	Lock Spring	1
4	H521 1281	R2 Drive Gear	1
5	H521 1311	Busing	8
6	H521 1297	Lock Lever	2
7	H521 1282	Joint Gear	1
8	H521 1283	Front Drive Gear - Reverse	1
9	H521 1284	Front Drive Gear - Feed	1
10	H521 1290	Busing	1
11	H521 1293	Joint Shaft	1
12	H521 1372	Reverse Rollefr	1
13	H521 1374	Bracket - Reverse	1
14	H081 3407	Snap Ring - M2.5	1
15	H521 1295	Shaft - Separation Roller	1
16	H521 1276	Shaft - Separation Unit	1
17	H521 1296	Bushing	2
18	H521 1285	Middle Drive Gear - Reverse	1
19	H521 1250	R0 Roller	1
20	H521 1251	R1 Roller	1
21	H521 1258	Separation Guide	1
22	H521 1350	Pad - Pick-up	1
23	H521 1280	Pulley R1	2
24	H521 1340	Pulley R2	1
25	H521 1300	Spring Plate	1
26	H081 1065	Timing Belt - Idler 2	1
27	H521 1335	Bushing - 8x10mm	1
28	H521 1264	Rear Side Plate	1
29	H515 5018	Cover Switch - Fusing Exit	1
30	H521 1279	Joint Gear	1
31	H521 1309	Timing Belt	1
33	H521 1267	Motor Bracket	1
34	H521 5010	Scanner Motor - ADF	1
35	H521 1358	Motor Cushion	1
36	H521 5336	Harness - ADF - L	1

Index No.	Part No.	Description	Q'ty Per Assembly
37	H521 5011	Document Sensor - S1/S3	2
38	H521 5012	Document Sensor - S2	1
39	H521 1254	Lower Guide Plate	1
40	H521 1331	Antistatic Brush	1
41	H521 1341	Plessuer Spring	2
42	H521 1252	R2 Roller	1
43	H521 1299	Lock Shaft	1
44	H521 1312	Pressuer Shaft Holder	2
45	C575 3420	Standard White Sheet	1
46	H521 1289	Pressure Plate	1
47	H521 1321	Release Lever	1
48	H521 1360	Spring	1
49	H521 1365	Antistatic Brushi	1
101	0802 5205	Tapping Screw - M3x6	
102	0720 0040E	Retaining Ring - M4	
103	0720 0060E	Retaining Ring - M6	
104	0720 0070E	Retaining Ring - M7	
105	0802 5206	Tapping Screw - M3x8	
106	1105 0283	Clamp	
107	0313 0030B	Philips Pan Head Screw - M3x3	
108	1105 0153	Clamp	
109	1105 0260	Wire Saddle	

5. Scanner unit 1 (C226)

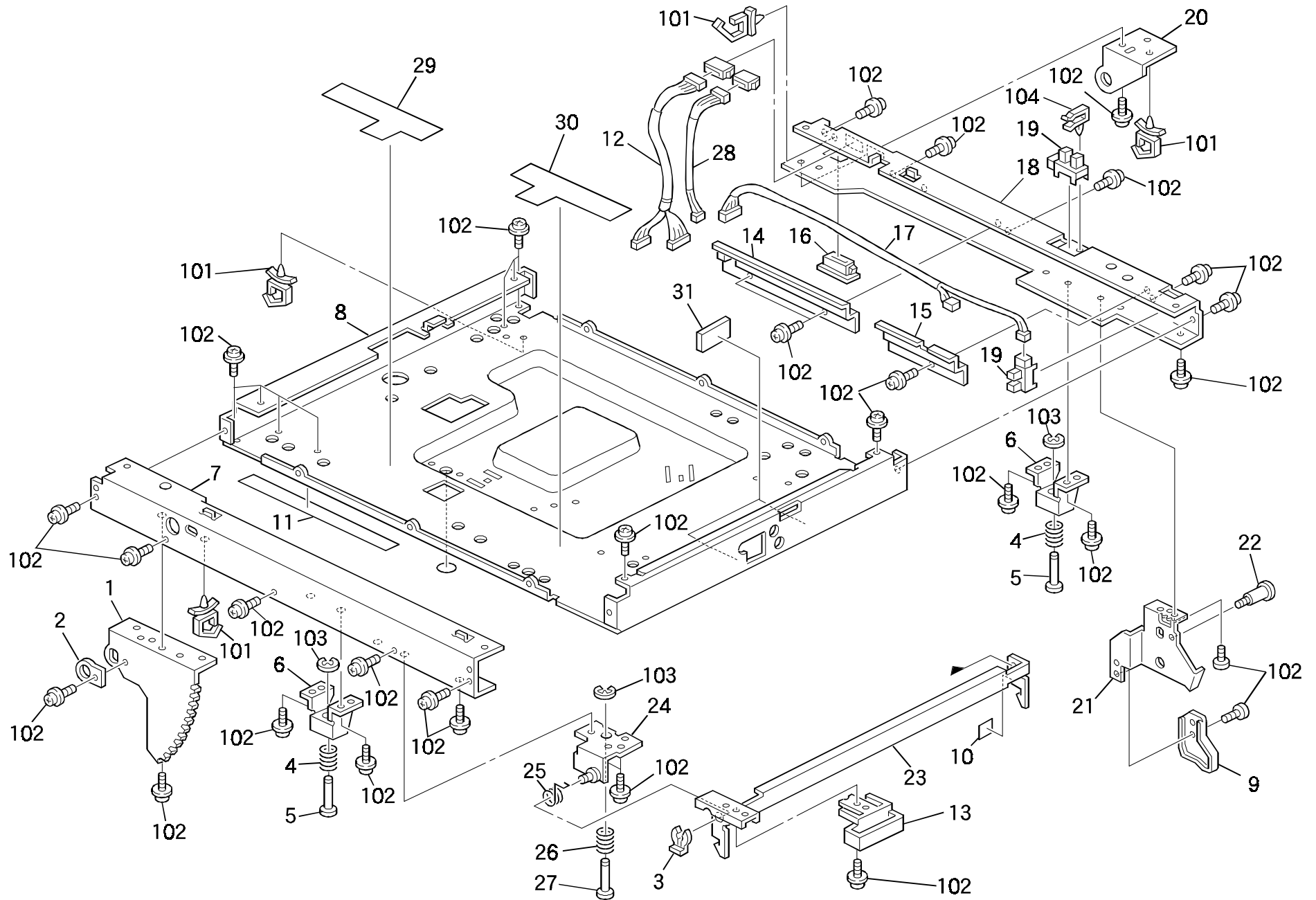


5. Scanner unit 1 (C226)

Index No.	Part No.	Description	Q'ty Per Assembly
1	H521 1143	Spring - Stopper	1
2	H521 1151	Grip - Stopper	1
3	H521 1141	Stopper - Lower	1
4	H521 1142	Pin - Stopper	1
5	H521 1140	Stopper - Upper	1
6	H521 1164	Bracket - Stopper - Upper	1
7	H521 1155	Bracket - Stopper - Base	1
8	H521 1072	Bracket - Flat Cable Holder	1
9	H521 1085	Ground Plate - Rear	1
10	H521 1082	Ground Plate - Front	1
11	H521 5004	Scanner Motor - DC24V 0.7A	1
12	H521 1150	Cushion - Scanner Motor	1
13	H521 1064	Motor Bracket	1
14	H521 1081	Pulley - Scanner	1
15	H521 1074	Timing Belt	1
16	H006 2383	Snap Ring	2
17	H521 1071	Spring Plate	1
18	H081 1065	Timing Belt - Idler 2	1
19	H521 1222	Holder - Sponge	1
20	H521 1062	Rail - Scanner	1
21	H521 1069	Holder - Flat Cable	1
22	H521 1078	Pulley - Scanner	1
23	H521 5305	Sensor Harness	1
24	H521 1127	Stopper - Shaft - Scanner	1
25	H521 1075	Bracket - Pulley - Scanner	1
26	H521 1061	Shaft - Slider	1
27	C226 3320	Contact Image Sensor - B4	1
28	H521 1050	Carriage - Scanner	1
29	H521 1054	Slider - Carriage	1
30	H521 1057	Spring - Image Sensor	2
31	H521 1122	Bracket - Wire	1
32	H521 1079	Wire - Scanner Drive	1
33	H521 5001	Lamp Stabilizer	1
34	H521 1080	Spring - Wire	1
35	C226 3340	Xenon Lamp Harness	1

Index No.	Part No.	Description	Q'ty Per Assembly
36	C226 3332	Edging - Small	1
37	H521 1169	Sheet - Flexible Board - 2	1
38	H521 1121	Roller	2
39	C226 3331	Enging - Long	1
40	H521 1221	Sponge - Shaft - Scanner	1
101	0720 0040E	Retaining Ring - M4	
102	0353 0100Z	Bind Screw - M3x10	
103	0451 3006B	Tapping Screw - M3x6	
104	0951 3006B	Philips Screw With Flat Washer - M3x6	
105	1105 0310	Wire Clamp	
106	0720 0030E	Retaining Ring - M3	
107	0802 5205	Tapping Screw - M3x6	

6. Scanner unit 2 (C226)

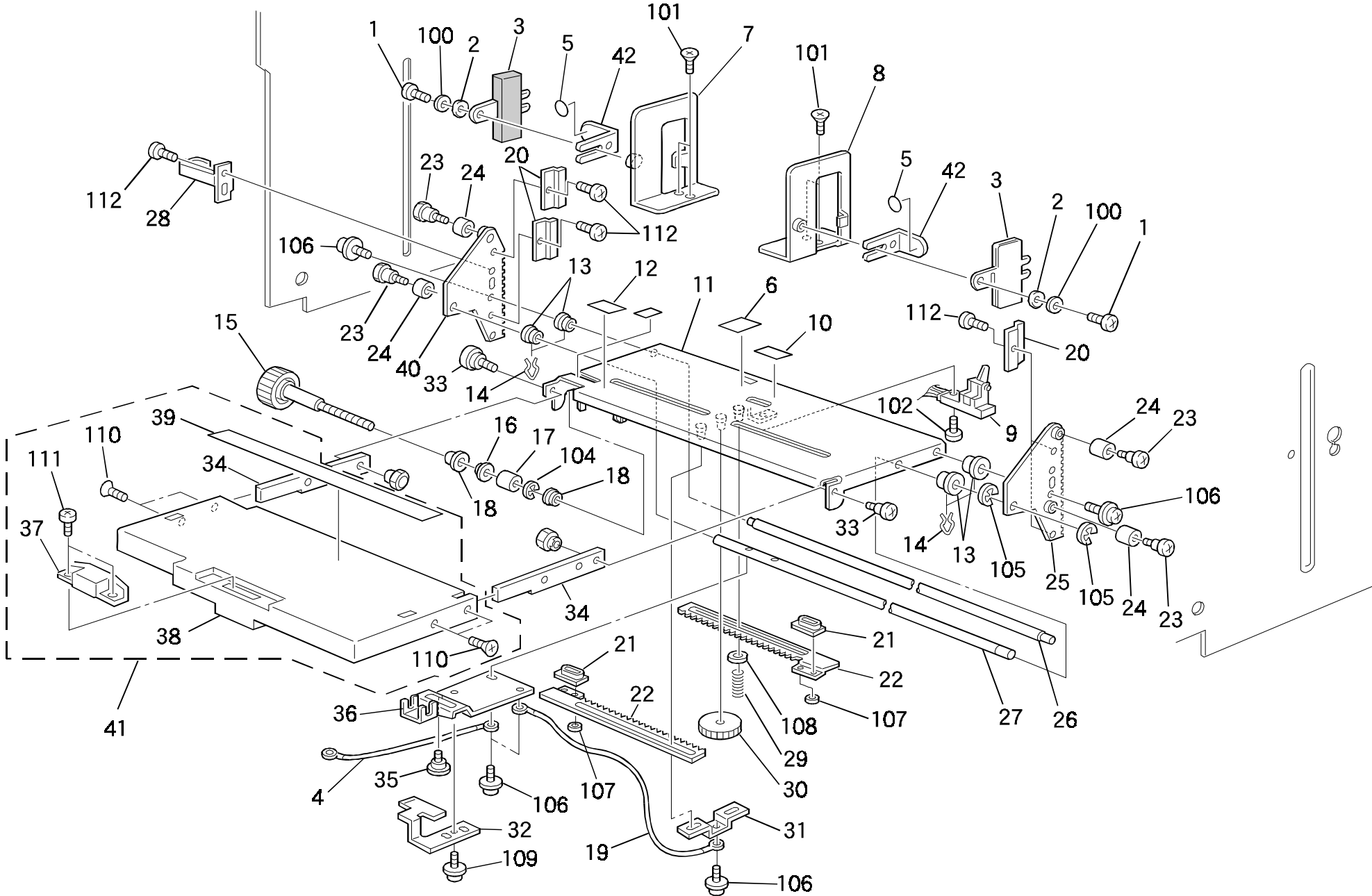


6. Scanner unit 2 (C226)

Index No.	Part No.	Description	Q'ty Per Assembly
1	C226 3011	Sector Gear	1
2	H521 1073	Bushing - M10	1
3	H006 2383	Snap Ring	1
4	H521 1101	Spring - Center	2
5	H521 1115	Pin - CTM	2
6	H521 1112	Bracket - Center	2
7	H521 1162	Base - Front	1
8	H521 1058	Base - Main	1
9	C226 3027	Master Guide Plate	1
10	H521 1172	Sheet - Lever - Lock	1
11	H521 1170	Sheet - Flexible Board - 3	1
12	H521 5317	Harness - ADF	1
13	H521 1099	Handle - Lock - Lever	1
14	H521 1130	Bracket - Harness - 1	1
15	H521 1132	Bracket - Harness - 2	1
16	H004 3755	Square Bushing	1
17	H521 5318	Harness - Book H.P. Sensor	1
18	H521 1117	Base - Rear	1
19	AW02 0021	Photointerruptor - 175487-3	2
20	H521 1089	Fulcrum - Scanner Unit - Rear	1
21	C226 3025	Lock Lever Bracket	1
22	C226 3026	Rear Lever Lock Pin	1
23	C226 3018	Lock Lever Ass'y	1
24	H521 1090	Bracket - Lock Lever - Front	1
25	H521 1096	Spring - Lock Lever	1
26	H521 1100	Spring - CTM	1
27	H521 1144	Pin - CTM - Long	1
28	H521 5319	Harness - ADF Motor	1
29	H521 1189	Sheet - Flexible Board - 1	1
30	H521 1196	Sheet - Flexible Board - 4	1
31	H521 1177	Sponge - Base	2

Index No.	Part No.	Description	Q'ty Per Assembly
101	1105 0310	Wire Clamp	
102	0951 3006B	Philips Screw With Flat Washer - M3x6	
103	0720 0030E	Retaining Ring - M3	
104	1105 0283	Clamp	

7. Paper Table (C226)

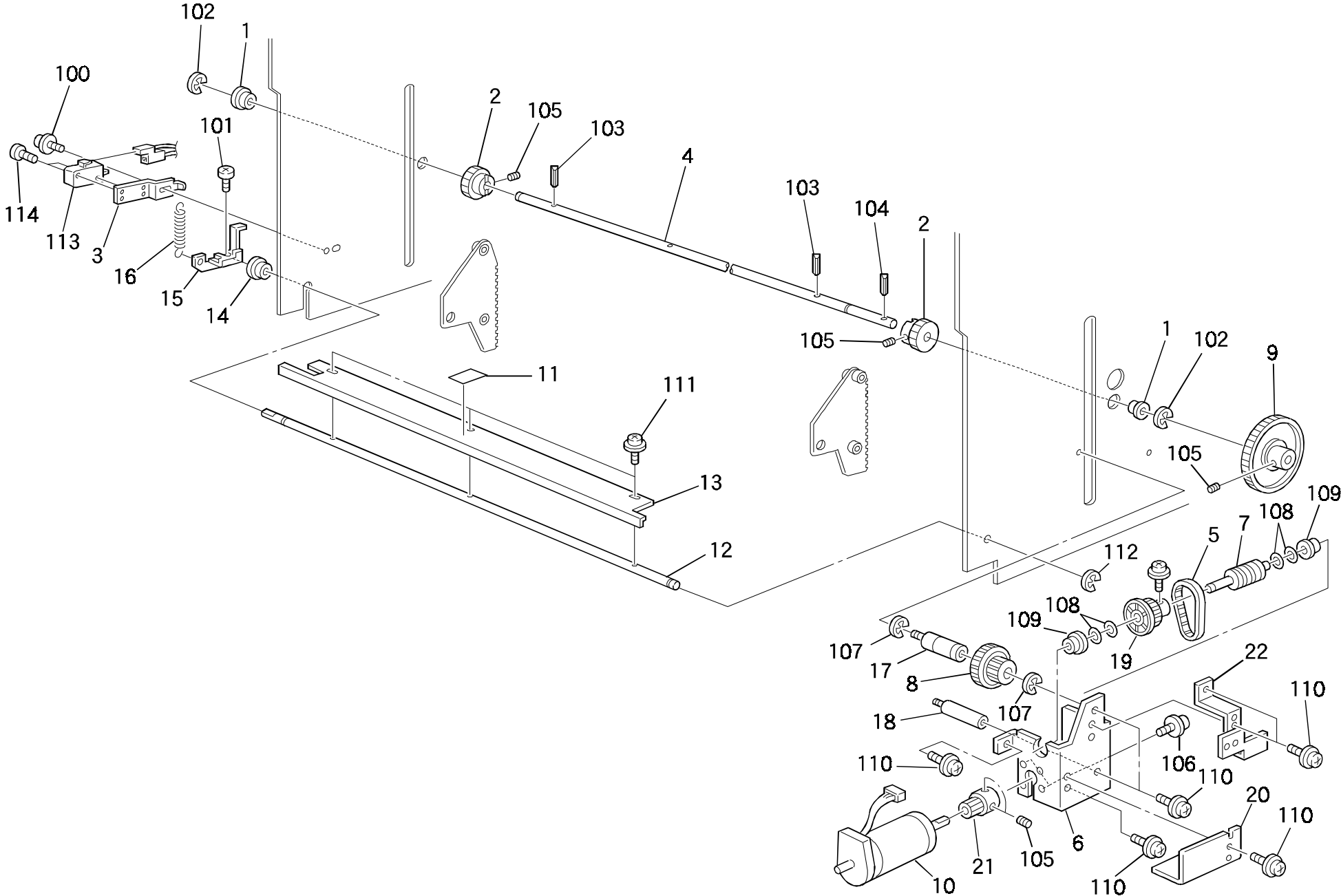


7. Paper Table (C226)

Index No.	Part No.	Description	Q'ty Per Assembly
1	5506 1536	Screw - M4X6	2
2	5070 0923	Spring Washer - Rotating Table	2
3	C200 5285	Side Pad	2
4	C203 8098	Grounding Wire	1
5	C201 5015	Seal - M10	2
6	C215 5095	Seal	1
7	C207 5279	Left Side Plate - Paper Feed	1
8	C200 5274	Right Side Plate - Paper Feed	1
9	5214 5235	Paper Feed Sensor	1
10	C203 5087	Rubber Plate - Feed Table	1
11	C215 5089	Paper Feed Table	1
12	C213 2453	Decal - Paper Feed Table	1
13	C203 5121	Bushing - 8x12x9mm	4
14	5600 1107	Snap Retainer - 12	4
15	C218 5054	Table Position Knob	1
16	C203 5114	Bushing - 3x6x3mm	1
17	C218 5116	Washer - 6x13x12mm	1
18	C203 5113	Bushing - 6x9x3mm	2
19	C203 8365	Grounding Wire	1
20	C203 5131	Gear Cover	4
21	C200 5335	Side Plate Slider	2
22	C207 5028	Paper Feed Rack	2
23	C203 5142	Rack Shaft	4
24	5606 2310	Roller	4
25	C224 5126	Right Rack - Paper Feed	1
26	C200 5042	Rear Shaft - Paper Feed	1
27	C203 5122	Front Shaft - Paper Feed	1
28	C226 5074	Lift Sensor Actuator	1
29	5505 7197	Spring - Hinge - Inking	1
30	5309 1023	Pinion Paper Feed Table	1
31	C219 5079	Supporter	1
32	C222 5121	Position Indicator	1
33	C219 5073	Stepped Screw	2
34	C224 5056	Hinge	2
35	C201 5125	Shoulder Screw - M4	1

Index No.	Part No.	Description	Q'ty Per Assembly
36	C203 5119	Arm - Paper Feed Table	1
37	AG07 0004	Magnetic Catch	1
38	C224 2426	Paper Feed Table Cover	1
39	C224 2716	Decal - Paper Size - LT	1
39	C224 2718	Decal - Paper Size - A4	1
40	C224 5128	Left Rack - Paper Feed	1
41	C224 2421	Paper Feed Table Cover (LT)	1
41	C224 2426	Paper Feed Table Cover (A4)	1
42	C209 5092	Rubber Plate Lever	2
100	0701 0080Z	Flat Washer - M8	
101	0323 0100Z	Philips Sunken Head Screw - M3x10	
102	0313 0100Z	Philips Pan Head Screw - M3x10	
103	0951 4010Z	Philips Screw With Flat Washer M4x10	
104	0720 0040Z	Retaining Ring - M4	
105	0720 0060Z	Retaining Ring - M6	
106	0951 4008Z	Philips Screw With Flat Washer M4x8	
107	0710 0030Z	Hex Nut 3	
108	0701 0040Z	Flat Washer - M4	
109	0951 3006Z	Philips Screw With Flat Washer - M3	
110	0324 0060Z	Philips Sunken Head Screw - M4x6	
111	0434 0062W	Pan Head Tapping Screw - M4x6	
112	0314 0080Z	Philips Screw - 4x8	

8. Paper Table Drive (C226)

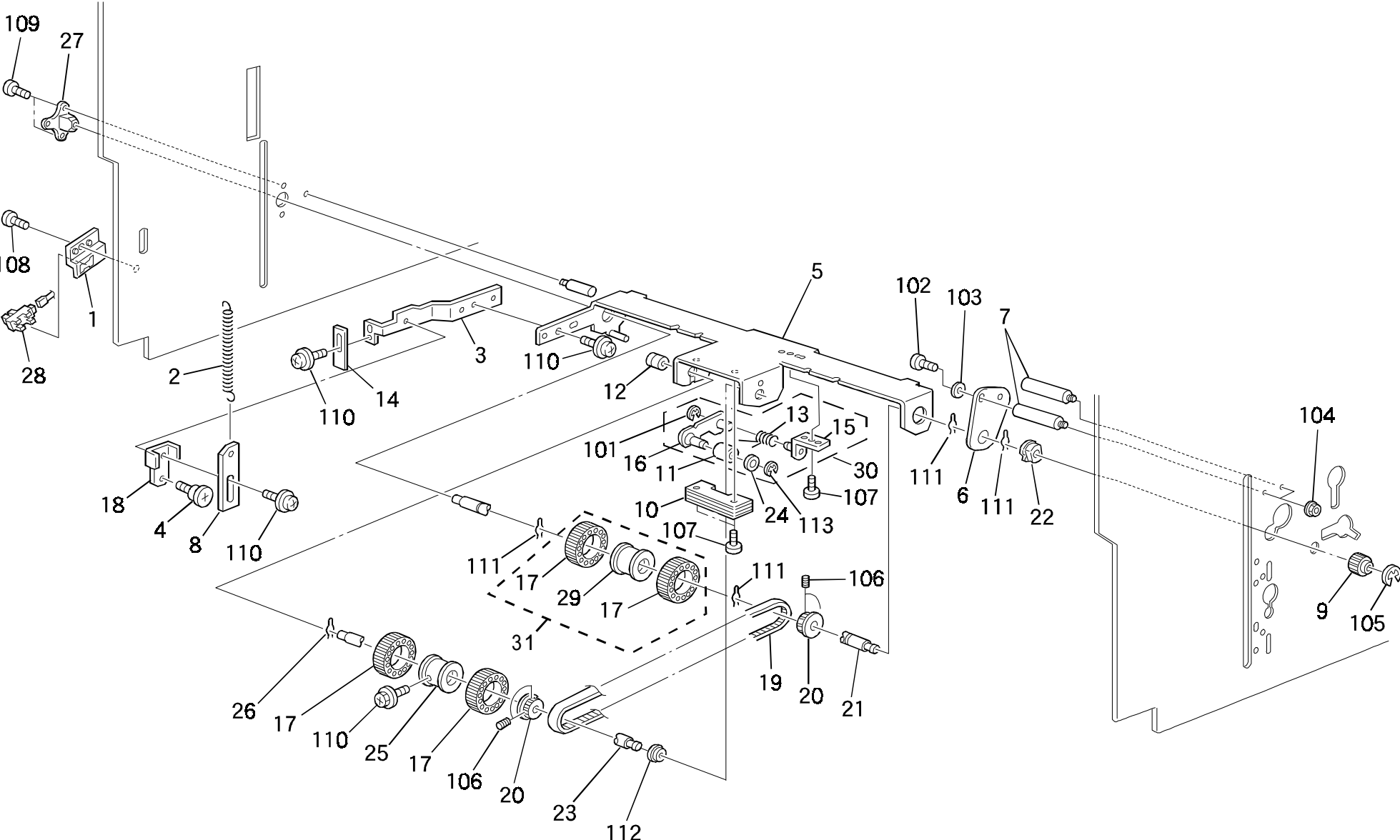


8. Paper Table Drive (C226)

Index No.	Part No.	Description	Q'ty Per Assembly
1	C203 5135	Bushing - 10x14x5.9	2
2	C201 5051	Pinion - 24t	2
3	C224 5162	Switch Bracket	1
4	C223 5133	Paper Lift Shaft	1
5	C218 3073	Timing Belt - B60S2M126	1
6	C223 5093	Lift Motor Bracket	1
7	C223 5097	Worm Wheel	1
8	C223 5095	Worm Wheel	1
9	C223 5096	Lift Gear	1
10	C224 8213	DC Motor	1
11	5506 6314	Mylar - Master Feed Table	1
12	C203 5152	Safety Switch Shaft	1
13	C224 5158	Safety Switch Plate	1
14	5506 4608	Bushing - Paper Hold/down Roller -	1
15	C203 5153	Safety Switch Actuator	1
16	C226 5150	Tension Spring	1
17	C223 5099	Worm Gear Shaft	1
18	C223 5091	Gear Shaft	1
19	C223 5126	Timing Pulley	1
20	C224 5090	Paper Feed Motor Cover	1
21	AB03 0216	Pulley - 15Z	1
22	C223 5098	Support Gear Bracket	1

Index No.	Part No.	Description	Q'ty Per Assembly
100	0951 4005Z	Philips Screw With Flat Washer - M4x5	
101	0313 0060Z	Philips Pan Head Screw - M3x6	
102	0720 0080Z	Retaining Ring - M8	
103	0624 0160E	Spring Pin - 4x16mm	
104	0624 0220E	Spring Pin - 4x20mm	
105	0574 0040E	Hexagon Headless Set Screw - M4x4	
106	0314 0080Z	Philips Screw - 4x8	
107	0720 0120Z	Retaining Ring - M12	
108	0807 4076	Washer - 8.2x6.1x0.3mm	
109	0741 3706	Ball Bearing - 6x10x3	
110	0960 4006Z	Philips Frang Screw - M4x6	
111	0951 3006Z	Philips Screw With Flat Washer - M3	
112	0720 0050Z	Retaining Ring - M5	
113	1204 2424	Micro Switch - V-15-2A5(10e)	
114	0313 0140Z	Philips Pan Head Screw - M3x14	

9. Paper Feed And Separation Roller (C226)

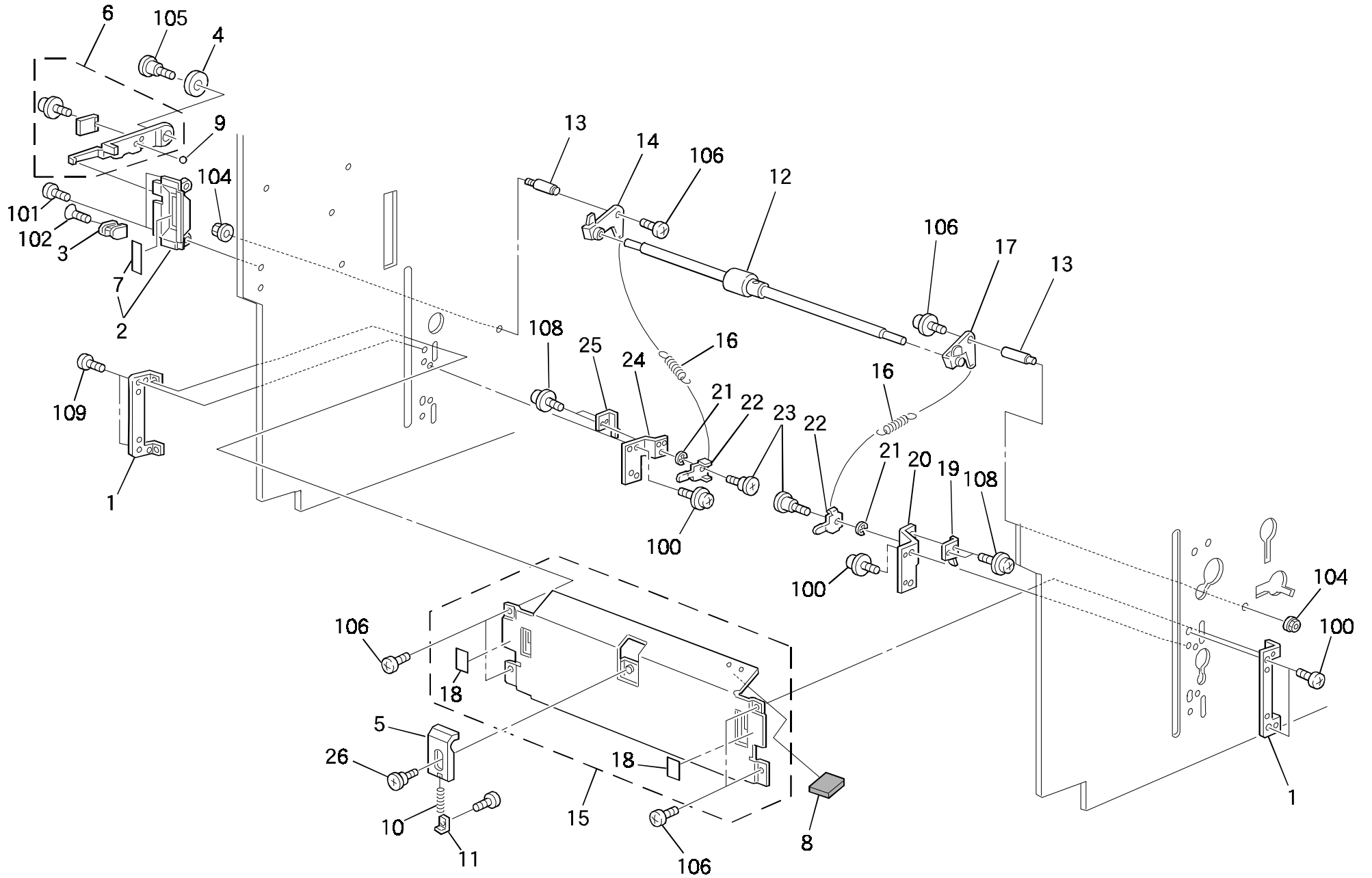


9. Paper Feed And Separation Roller (C226)

Index No.	Part No.	Description	Q'ty Per Assembly
1	C226 5081	Sensor Bracket	1
2	C224 5031	Spring - Paper Feed Pressure	1
3	C224 5034	Spring Link	1
4	5403 2075	Stepped Screw	1
5	C224 5037	Feed Roller Holder	1
6	C219 5030	Bushing	1
7	C219 5029	Rear Bushing Shaft	2
8	C219 5157	Adjusting Plate	1
9	C203 5220	Gear - 18T	1
10	C224 5073	Arm Balancer - Feed Roller	1
11	C203 5200	Tension Roller	1
12	5600 1081	Right Bushing - Paper Feed Roller	1
13	C203 5215	Tension Spring	1
14	C203 5055	Actuator - Paper Feed Table	1
15	C203 5208	Tension Bracket	1
16	C203 5201	Tension Arm	1
17	5506 4169	Rubber Roller - Paper Feed	4
18	C219 5158	Spring Link	1
19	5507 6035	Timing Belt - 162XL	1
20	5507 6032	Timing Belt Pulley - 30T	2
21	C219 5025	Upper Roller Shaft	1
22	5053 0419	Bushing - 10mm	1
23	C219 5026	Pick-up Roller Shaft	1
24	C203 5225	Spacer - Tension - Paper Feed	1
25	C219 5033	Paper Feed Roller	1
26	5600 1107	Snap Retainer - 12	1
27	C203 5045	Bushing - 18x24x28mm	1
28	AW02 0021	Photointerruptor - 175487-3	1
29	C219 5036	Paper Feed Roller	1
30	C203 5205	Belt Tensioner Ass'y	1
31	C224 5041	Reverse Roller	1

Index No.	Part No.	Description	Q'ty Per Assembly
101	0720 0040Z	Retaining Ring - M4	
102	0594 0080E	Bolt - M4x8	
103	0701 0040Z	Flat Washer - M4	
104	0713 0040B	Hexagon Nut - M4	
105	0720 0050Z	Retaining Ring - M5	
106	0574 0040E	Hexagon Headless Set Screw - M4x4	
107	0314 0080Z	Philips Screw - 4x8	
108	0314 0060Z	Philips Pan Head Screw - M4x6	
109	0434 0080Z	Pan Head Self-tapping Screw - M4x8	
110	0951 3006Z	Philips Screw With Flat Washer - M3	
111	0804 4055	Pin	
112	0805 3263	Bearing - 6x10x6mm	
113	0720 0060Z	Retaining Ring - M6	

10. Paper Separation Roller (C226)

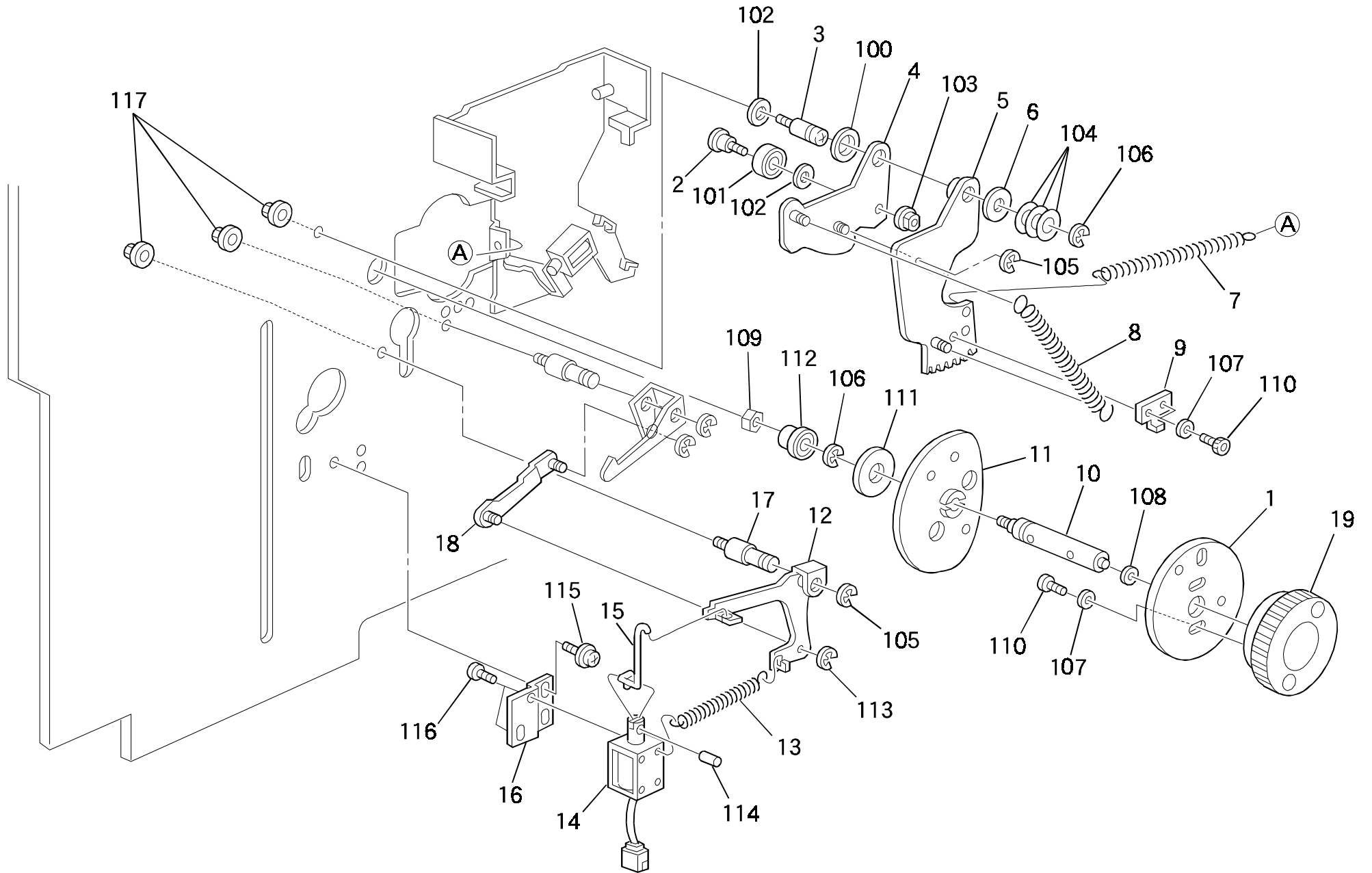


10. Paper Separation Roller (C226)

Index No.	Part No.	Description	Q'ty Per Assembly
1	C201 5075	Guide Plate Bracket	2
2	C226 2743	Paper Feed Lever Cover	1
3	C201 2425	Adjusting Lever	1
4	C209 5220	Spacer - 4x20x6	1
5	5507 6055	Front Guide Plate	1
6	C219 5152	Paper Feed Lever	1
7	C224 2737	Decal - Paper Feed	1
8	5507 6828	Rubber Plate - Feed Table	1
9	5501 8195	Steel Ball 3/16,	1
10	C200 5106	Paper Feed Pressure Spring	1
11	5507 6058	Spring Hook - Separator Pressure	1
12	C201 5077	Lower Separation Roller Ass'y	1
13	C201 5090	Separation Roller Pressure Stud	2
14	C203 5062	Left Arm - Separation	1
15	C203 5086	Guide Plate	1
16	C201 5080	Separation Roller Pressure Spring	2
17	C203 5066	Right Arm - Separation	1
18	C203 2728	Decal - Paper Separator	2
19	C201 5086	Spring Plate - Right	1
20	C201 5084	Right Bracket - Separation Pressure	1
21	C201 5089	Washer - M6	2
22	C201 5088	Separation Pressure Lever	2
23	5403 2075	Stepped Screw	2
24	C201 5083	Left Bracket - Separation Pressure	1
25	C201 5082	Spring Plate - Left	1
26	5507 6060	Guide Screw - Front Plate	1

Index No.	Part No.	Description	Q'ty Per Assembly
100	0314 0080Z	Philips Screw - 4x8	
101	0801 1004	Screw - M4x4	
102	0323 0100Z	Philips Sunken Head Screw - M3x10	
103	0951 3006Z	Philips Screw With Flat Washer - M3	
104	0713 0040B	Hexagon Nut - M4	
105	0314 0120Z	Philips Screw - 4x12	
106	0951 4008Z	Philips Screw With Flat Washer M4x8	
107	0434 0080Z	Pan Head Self-tapping Screw - M4x8	
108	0951 3005Z	Philips Pan Head Screw - M3x5	
109	0434 0080Z	Pan Head Self-tapping Screw - M4x8	

11. Paper Feed Drive (C226)

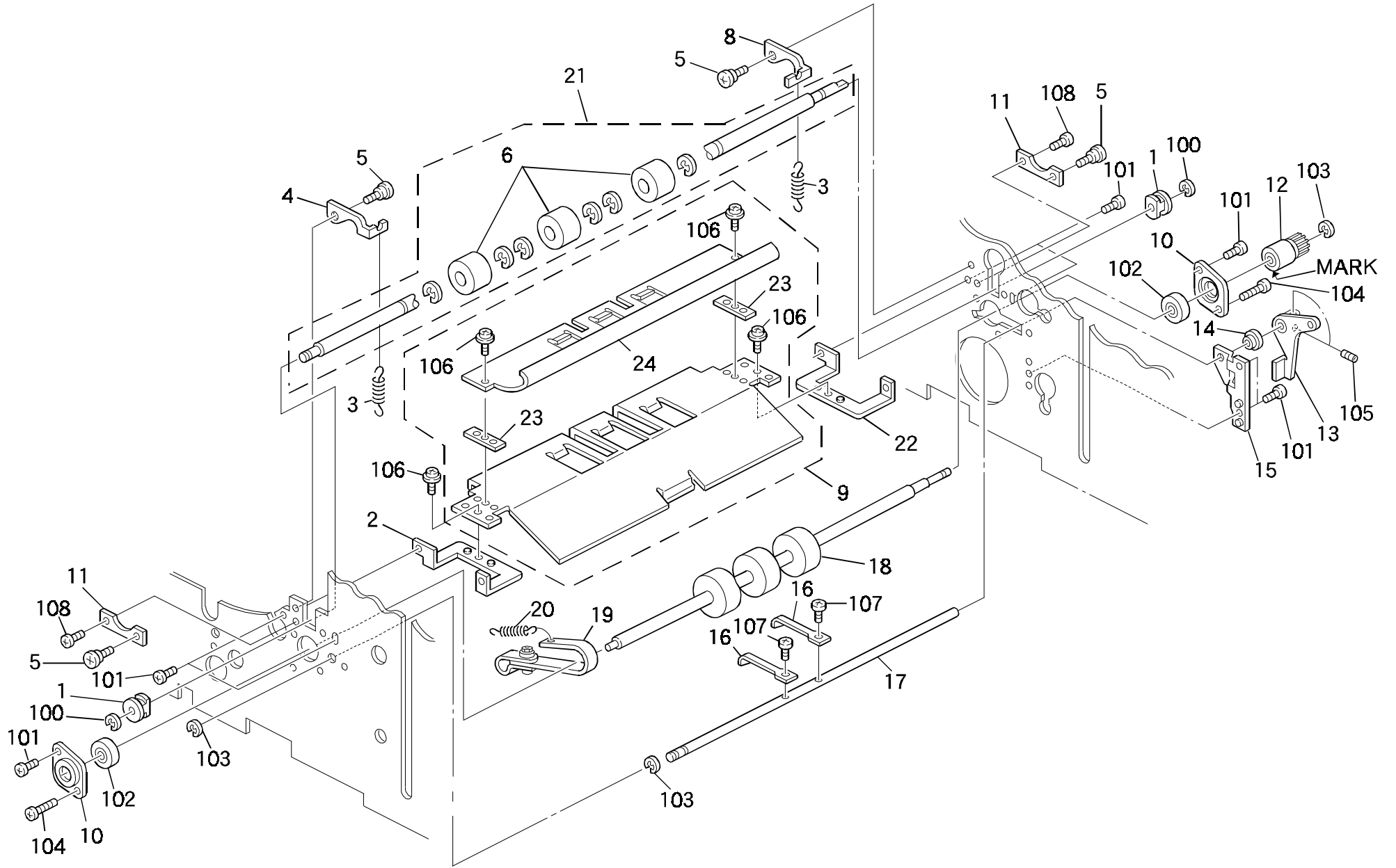


11. Paper Feed Drive (C226)

Index No.	Part No.	Description	Q'ty Per Assembly
1	C213 5120	Second Feed Roller Cam	1
2	C203 5194	Shoulder Screw - M4	1
3	C219 5127	Sector Gear Shaft	1
4	C219 5122	Paper Feed Sector Cam	1
5	C224 5101	Sector Gear	1
6	5600 1086	Spacer - 10.2x20	1
7	C200 5222	Sector Spring	1
8	C200 5205	Paper Feed Spring	1
9	C219 5105	Sector Gear Stopper	1
10	C203 5170	Feed Cam Shaft	1
11	C213 5110	Paper Feed Cam	1
12	C219 5108	Sector Stopper - Feed Roller	1
13	C200 5235	Paper Feed Solenoid Spring	1
14	C224 8458	Release Solenoid	1
15	C200 5226	Link - Paper Feed Solenoid	1
16	C200 5225	Bracket - Paper Feed Solenoid	1
17	C219 2073	Stopper Stud - Paper Feed	1
18	C201 5101	Link	1
19	C223 2229	Feed Cam Gear	1

Index No.	Part No.	Description	Q'ty Per Assembly
100	0725 0220Z	Retaining Ring - M22	
101	0740 3007	Ball Bearing - 7x19x6mm	
102	0807 5004	Washer	
103	0713 0040B	Hexagon Nut - M4	
104	0807 7018	Washer - M10	
105	0720 0060Z	Retaining Ring - M6	
106	0720 0080Z	Retaining Ring - M8	
107	0701 0040Z	Flat Washer - M4	
108	0807 7013	Spacer - 10.2x14x0.2mm	
109	0712 0060Z	Hexagon Nut - M6	
110	0594 0060E	Socket Screw - 4X6	
111	0807 7055	Holder - Main Shaft	
112	0741 3807S	Ball Bearing - 7x14x5	
113	0720 0040Z	Retaining Ring - M4	
114	0623 0100E	Spring Pin - 3x10mm	
115	0951 4006Z	Philips Screw With Flat Washer - M4	
116	0313 0040Z	Philips Pan Head Screw - M3x4	
117	0713 0050B	Hexagon Nut - M5	

12. 2nd Feed Roller (C226)

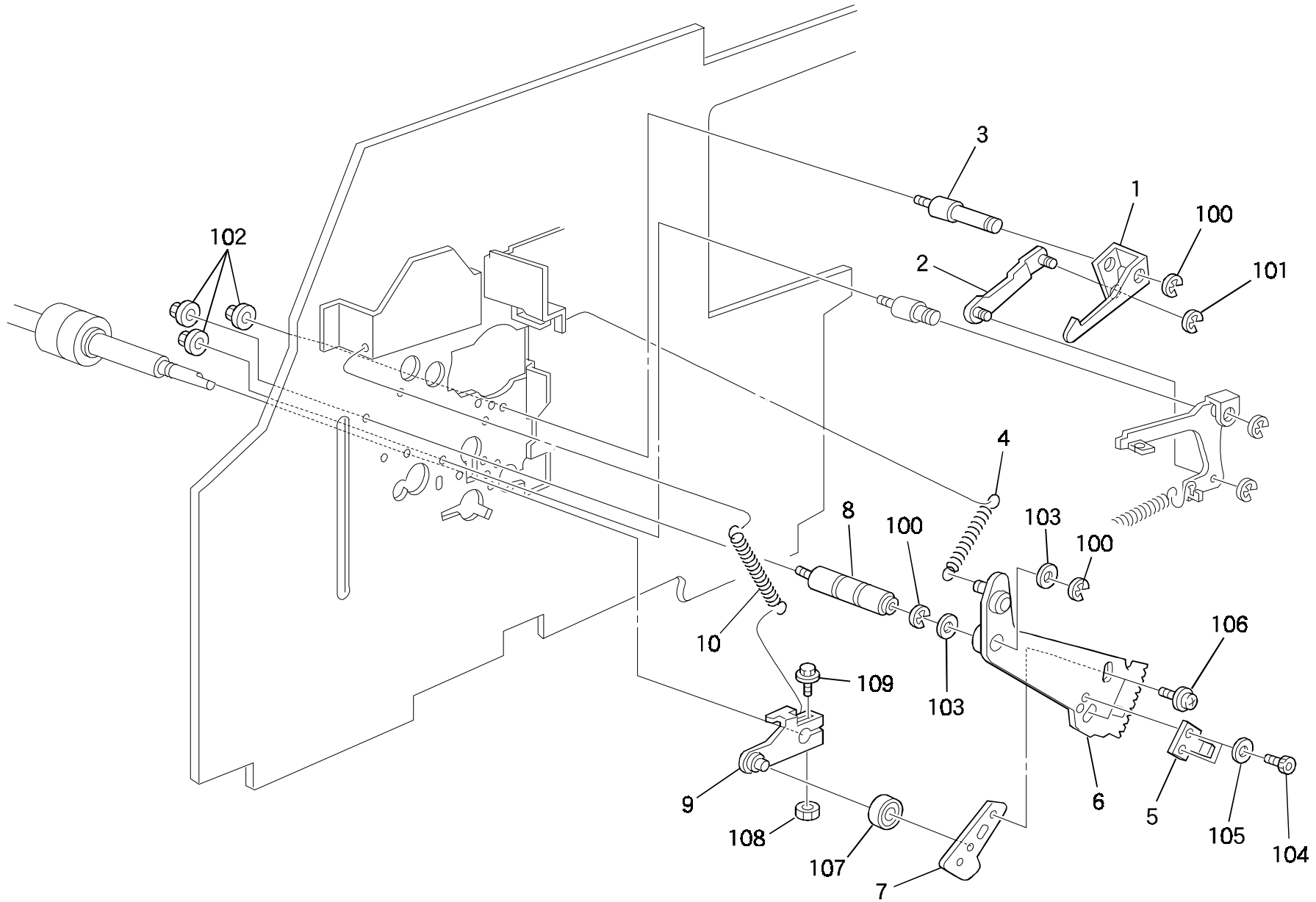


12. 2nd Feed Roller (C226)

Index No.	Part No.	Description	Q'ty Per Assembly
1	C200 5150	Bushing - 7x18x9mm	2
2	C200 5137	Left Bracket - Guide Plate	1
3	5505 6528	Spring - Press Roller	2
4	C200 5154	Left Spring Arm	1
5	C201 5125	Shoulder Screw - M4	4
6	C224 5008	Upper Feed Roller	3
8	C200 5155	Right Spring Arm	1
9	C224 5122	Lower Guide Plate	1
10	C201 5134	Bearing Holder	2
11	C200 5153	Bushing Supporter	2
12	C207 5231	Gear - 2nd Feed Roller	1
13	C224 5515	Pressure On/Off Lever	1
14	5600 1080	Bush - Paper Feed Roller - Left	1
15	C201 5505	Height Sensor Bracket	1
16	C200 5504	Paper Detecting Pin	2
17	C200 5503	Paper Detecting Shaft	1
18	C224 5230	Lower Feed Roller	1
19	C203 5198	Feed Roller Brake Ass'y	1
20	5501 8328	Spring - Feed Roller Brake	1
21	C224 5006	Upper Feed Roller Ass'y	1
22	C200 5138	Right Bracket - Guide Plate	1
23	C207 5125	Guide Plate Spacer	2
24	C219 5003	Upper Guide Plate	1

Index No.	Part No.	Description	Q'ty Per Assembly
100	0720 0060Z	Retaining Ring - M6	
101	0314 0080Z	Philips Screw - 4x8	
102	0740 3010	Ball Bearing - 10x26x8mm	
103	0720 0050Z	Retaining Ring - M5	
104	0314 0200Z	Philips Screw - 4x20	
105	0573 0050E	Hexagon Headless Set Screw - M3x5	
106	0951 4006Z	Philips Screw With Flat Washer - M4	
107	0313 0050Z	Philips Screw - 3x5	
108	0801 1004	Screw - M4X4	

13. 2nd Feed Drive (C226)

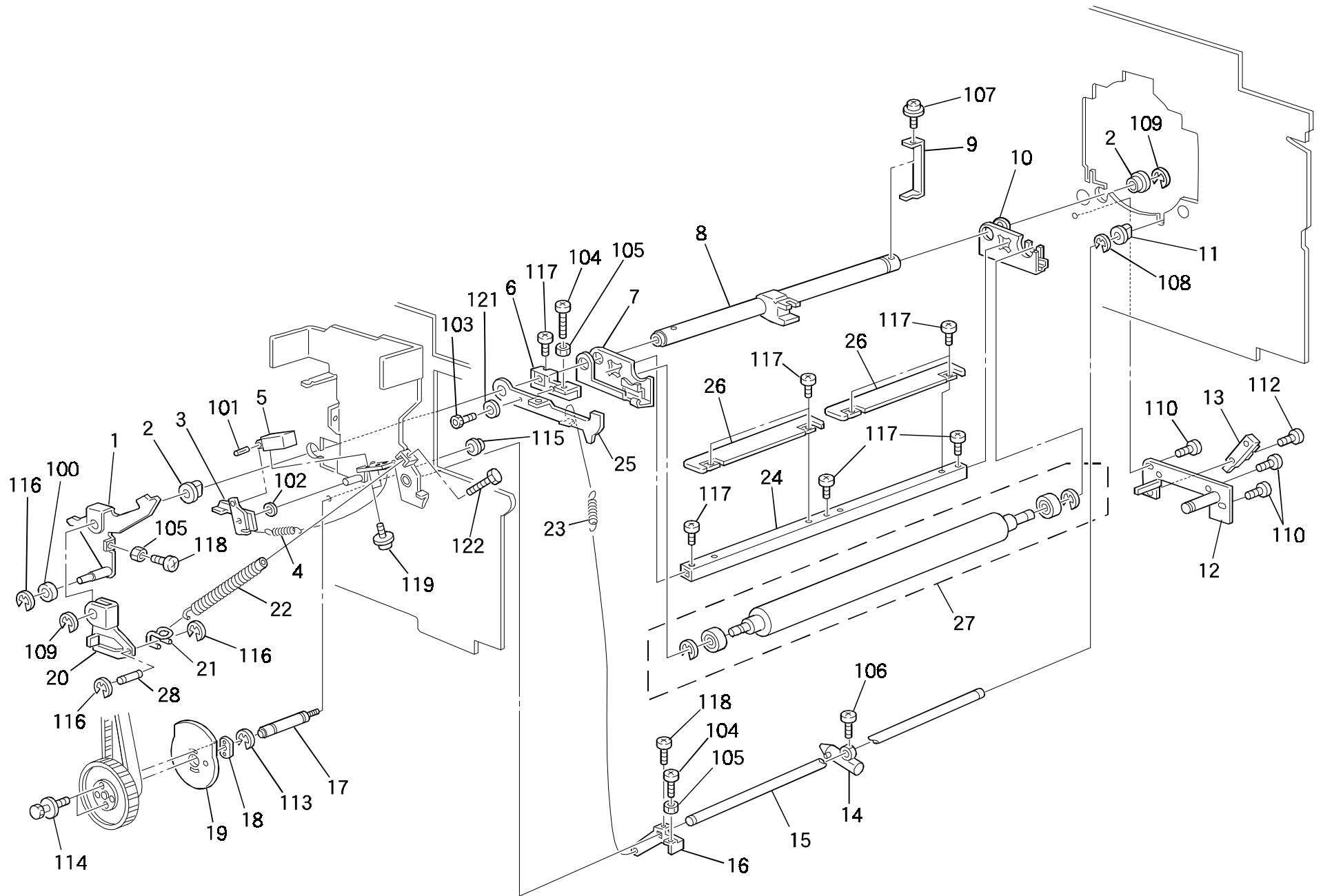


13. 2nd Feed Drive (C226)

Index No.	Part No.	Description	Q'ty Per Assembly
1	C219 5109	Feed Sector Stopper	1
2	C201 5101	Link	1
3	C219 2075	Feed Gear Stopper Shaft	1
4	C200 5222	Sector Spring	1
5	C219 5106	Sector Gear Stopper	1
6	C203 5184	Sector Gear	1
7	C200 5223	Lift Cam	1
8	C219 5120	Feed Cam Shaft	1
9	C224 5142	Feed Roller Arm	1
10	C201 5145	Lift Arm Spring	1

Index No.	Part No.	Description	Q'ty Per Assembly
100	0720 0080Z	Retaining Ring - M8	
101	0720 0040Z	Retaining Ring - M4	
102	0713 0050B	Hexagon Nut - M5	
103	0807 7018	Washer - M10	
104	0594 0060E	Socket Screw - 4X6	
105	0701 0040Z	Flat Washer - M4	
106	0951 4010Z	Philips Screw With Flat Washer M4x10	
107	0740 3808	Ball Bearing - 8x16x5mm	
108	0713 0040B	Hexagon Nut - M4	
109	0804 6090	Hexagon Bolt - M4	
110	0585 0100Z	Bolt - M5x10	

14. Press Roller (C226)

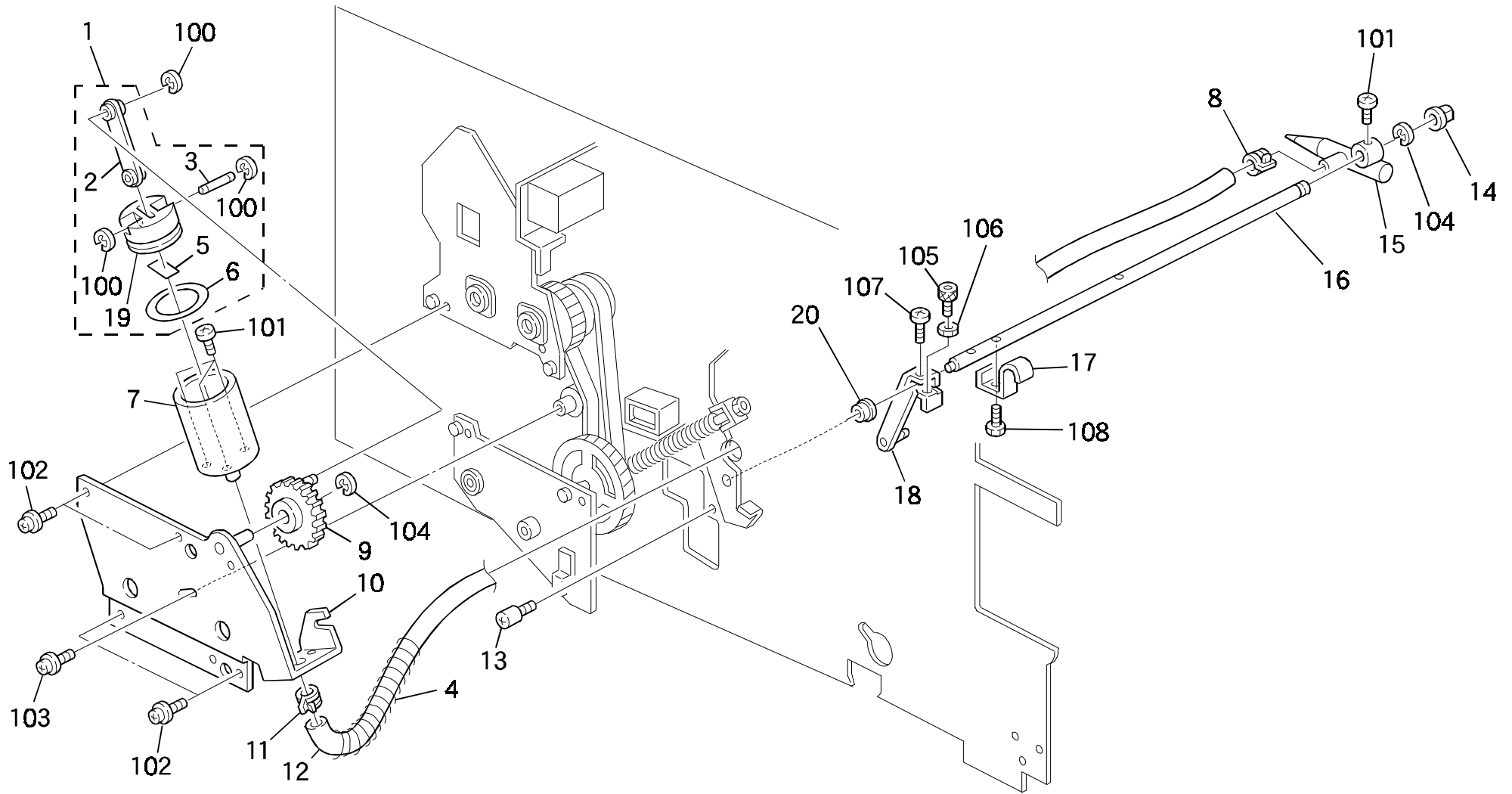


14. Press Roller (C226)

Index No.	Part No.	Description	Q'ty Per Assembly
1	C200 5566	Pressure On/Off Lever	1
2	C200 5526	Print Pressure Bushing	2
3	C200 5565	Print Pressure Stopper	1
4	5501 7559	Spring - Master Feed	1
5	C224 8456	Release Solenoid	1
6	C200 6002	Adjusting Arm	1
7	C224 5553	Right Arm - Print Pressure	1
8	C203 5505	Print Pressure Shaft	1
9	C203 5507	Shielding Plate	1
10	C224 5552	Left Arm - Print Pressure	1
11	5053 0223	Bushing - 8mm	1
12	C226 2034	Count Sensor Bracket	1
13	AW02 0021	Photointerruptor - 175487-3	1
14	C213 6050	Exit Pawl	1
15	C213 6003	Pawl Shaft	1
16	C200 6004	Exit Pawl Lever	1
17	C224 2225	Joint Cam Shaft	1
18	C200 2224	Plate Nut - Print Pressure Cam	1
19	C213 5560	Print Pressure Cam	1
20	C200 5541	Print Pressure Arm	1
21	C209 5543	Press Roller Spring Link	1
22	5607 3261	Print Pressure Spring	1
23	5607 2814	Roller Spring	1
24	C201 5550	Printing Pressure Stay	1
25	C224 6004	Pawl Cam	1
26	C219 5557	Rear Guide Plate	2
27	C224 5554	Press Roller Ass'y	1
28	C209 5521	Joint Shaft	1

Index No.	Part No.	Description	Q'ty Per Assembly
100	0740 3206	Ball Bearing - 6x19x6	
101	0623 0100E	Spring Pin - 3x10mm	
102	0700 0060G	Flat Washer - M6	
103	0594 0060E	Socket Screw - 4x6	
104	0584 0121Z	Hexagon Bolt - M4x12	
105	0710 0040Z	Hex Nut 4	
106	0313 0060Z	Philips Pan Head Screw - M3x6	
107	0951 4008Z	Philips Screw With Flat Washer M4x8	
108	0720 0060Z	Retaining Ring - M6	
109	0720 0120Z	Retaining Ring - M12	
110	0314 0080Z	Philips Screw - 4x8	
112	0314 0100Z	Philips Screw - 4x10	
113	0720 0080Z	Retaining Ring - M8	
114	0804 6092	Hexagonal Set Screw	
115	0713 0050B	Hexagon Nut - M5	
116	0720 0040Z	Retaining Ring - M4	
117	0433 0080Z	Tapping Screw - M3x8	
118	0593 0080E	Bolt - M3x8	
119	0804 6101	Hexagon Bolt - M3	
120	0740 3007	Ball Bearing - 7x19x6mm	
121	0701 0040Z	Flat Washer - M4	
122	0586 0451Z	Hexagon Bolt - M6x45	

15. Air Knife Section (C226)

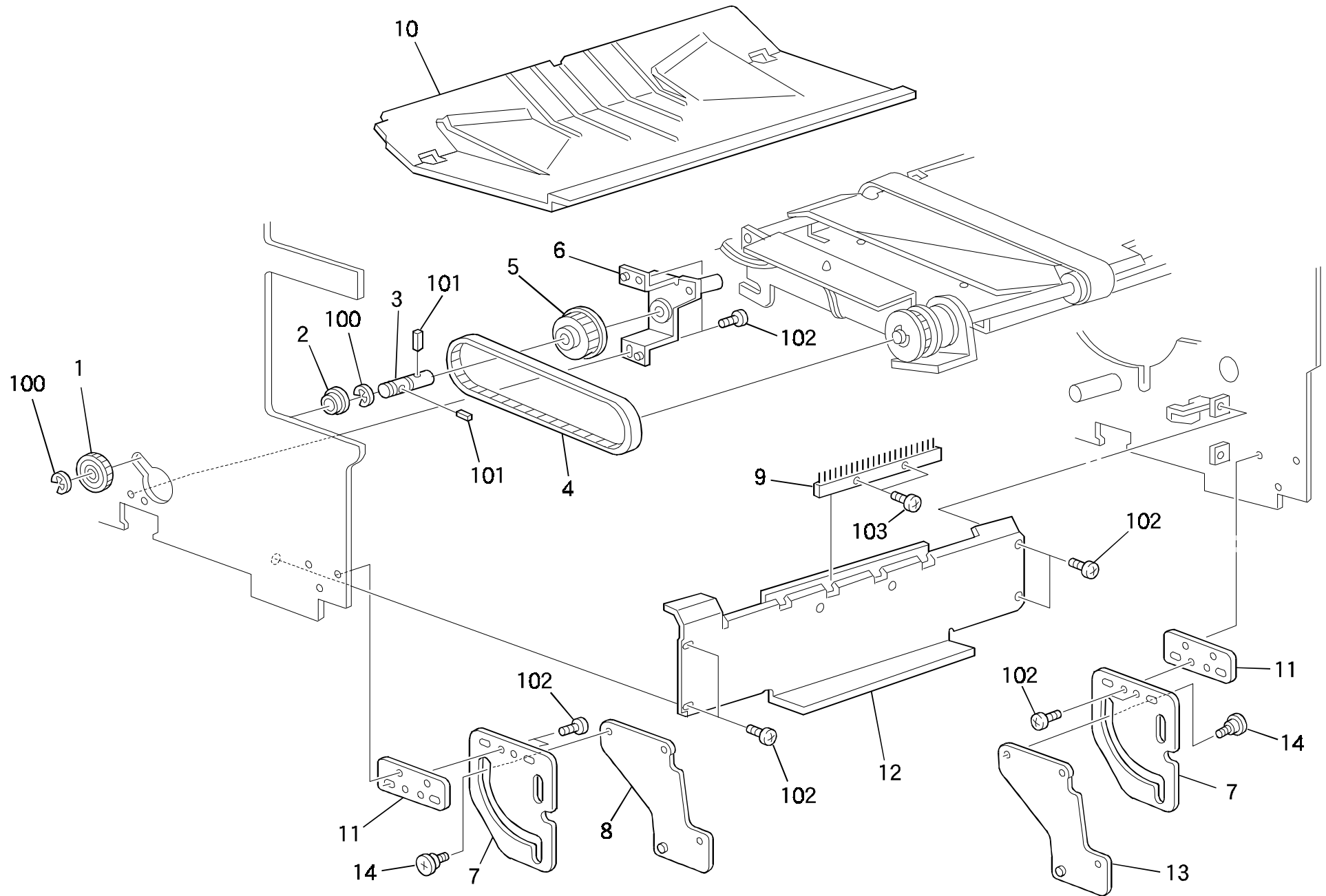


15. Air Knife Section (C226)

Index No.	Part No.	Description	Q'ty Per Assembly
1	C213 6037	Air Piston Ass'y	1
2	C213 6038	Piston Link	1
3	C209 6213	Piston Pin - Air Pump	1
4	AA06 3014	Spring - Supply Tube	1
5	C213 6042	Piston Valve	1
6	C213 6041	Oring - 33.7	1
7	C213 6043	Air Pamp Cylinder	1
8	C209 4713	Hose Band	1
9	C224 6033	Pump Drive Gear	1
10	C213 6030	Reinforcement Plate	1
11	C209 4711	Hose Band	1
12	C219 6219	Air Hose	1
13	5506 6073	Stopper - Holder - Master Hold/Down	1
14	C200 5526	Print Pressure Bushing	1
15	C213 6050	Exit Pawl	1
16	C213 6003	Pawl Shaft	1
17	C209 6225	Hose Clamp	1
18	C200 6004	Exit Pawl Lever	1
19	C213 6040	Piston	1
20	5053 0223	Bushing - 8mm	1

Index No.	Part No.	Description	Q'ty Per Assembly
100	0720 0030Z	Retaining Ring - M3	
101	0313 0060Z	Philips Pan Head Screw - M3x6	
102	0960 4008Z	Flange Head Screw - 4x8	
103	0960 5008Z	Philips Flange Screw - M5x8	
104	0720 0060Z	Retaining Ring - M6	
105	0584 0121Z	Hexagon Bolt - M4x12	
106	0710 0040Z	Hex Nut 4	
107	0584 0121Z	Hexagon Bolt - M4x12	
108	0593 0080E	Bolt - M3x8	

16. Paper Delivery 1 (C226)

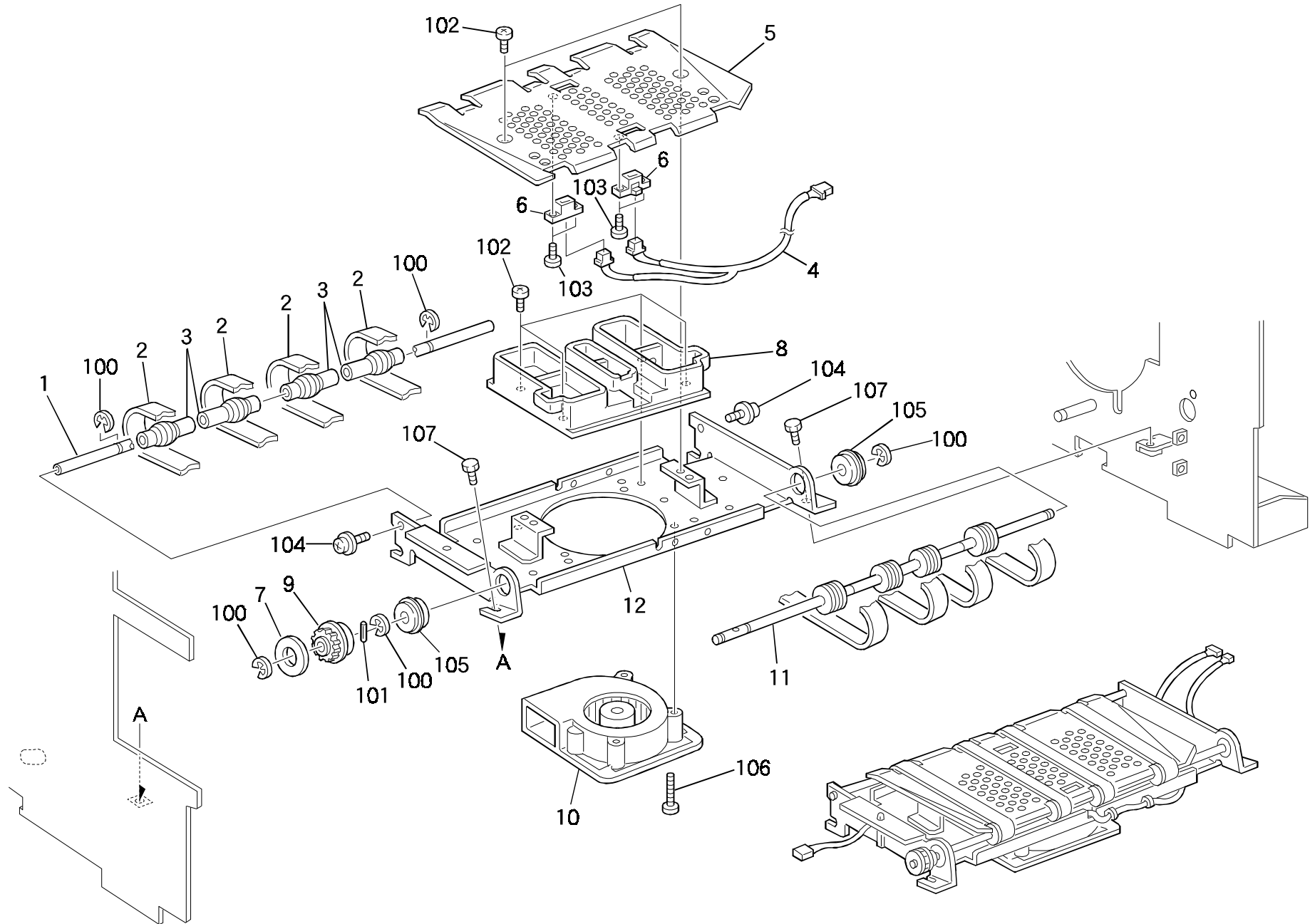


16. Paper Delivery 1 (C226)

Index No.	Part No.	Description	Q'ty Per Assembly
1	C200 6058	Gear - 28T	1
2	5070 0719	Bushing - 10mm	1
3	C203 6064	Idol Shaft	1
4	C200 6060	Timing Belt - 170XL	1
5	C200 6059	Pulley - 25T	1
6	C224 6060	Vacuume Drive Bracket	1
7	C226 6161	Exit Guide Rail	2
8	C226 6165	Hinge Bracket - Rear Exit	1
9	C219 6084	Antistatic Brush	1
10	C213 6201	Shelter Plate	1
11	C226 6163	Exit Hinge Spacer	2
12	C213 6081	Paper Delivery Plate	1
13	C226 6164	Hinge Bracket - Front Exit	1
14	C226 6152	Exit Guide Pin	2

Index No.	Part No.	Description	Q'ty Per Assembly
100	0720 0080Z	Retaining Ring - M8	
101	0623 0180E	Spring Pin - 3x18mm	
102	0314 0080Z	Philips Screw - 4x8	
103	0313 0040Z	Philips Pan Head Screw - M3x4	

17. Paper Delivery 2 (C226)

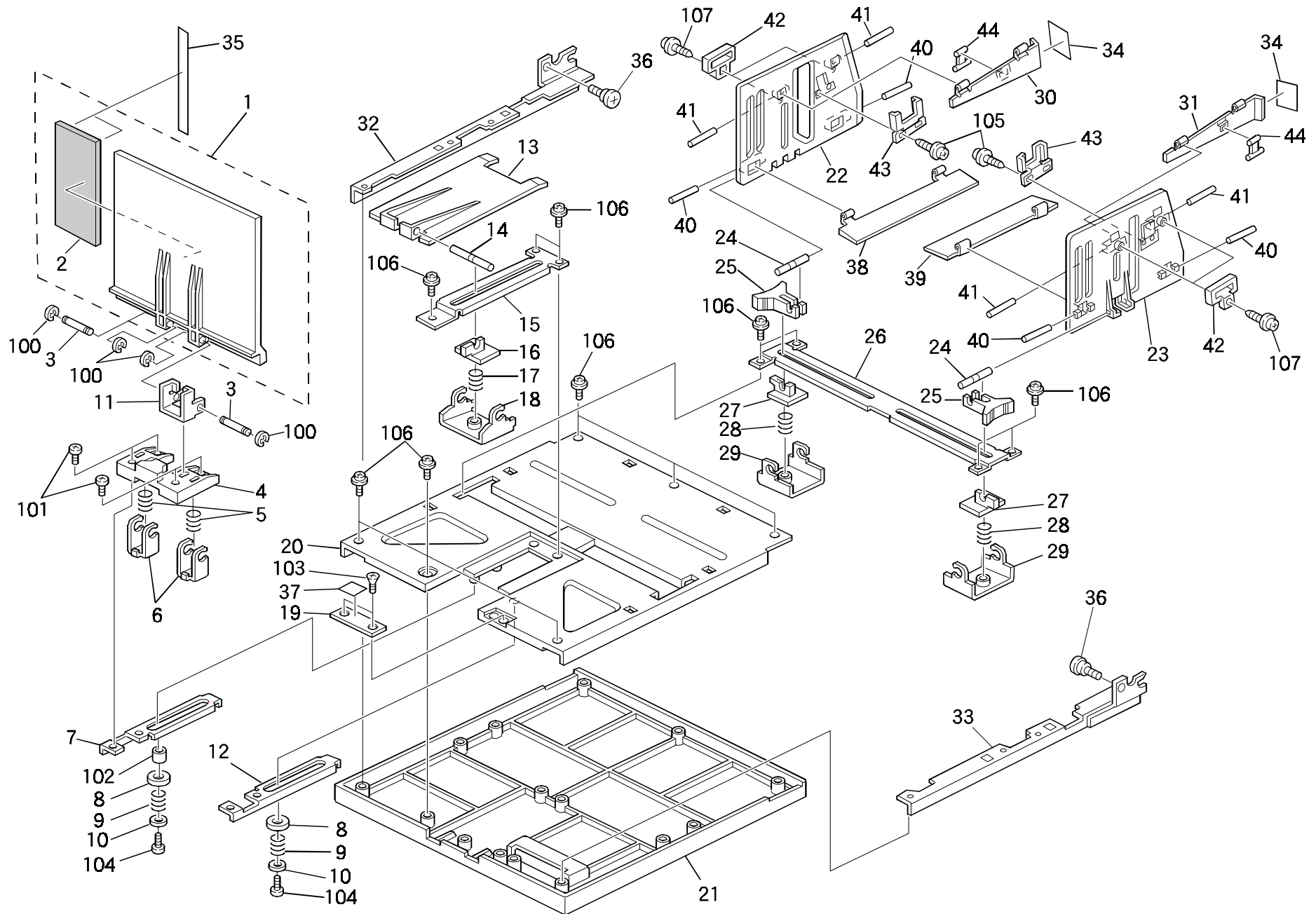


17. Paper Delivery 2 (C226)

Index No.	Part No.	Description	Q'ty Per Assembly
1	C224 6019	Idler Roller Shaft	1
2	C207 6011	Transport Belt	4
3	C219 6008	Driven Roller - Transport Belt	4
4	C224 8107	Paper Exit Unit Harness	1
5	C213 6005	Vacuum Plate	1
6	1403 0456	Photosensor - EE-SB5-C3	2
7	C203 6065	Pulley Flange	1
8	C213 6017	Vacuum Duct	1
9	C219 6080	Driven Roller Pulley	1
10	C219 8204	Vacuum Fan Motor - DC24V 0.3A	1
11	C224 6009	Drive Roller - Transport Belt	1
12	C224 6001	Vacuum Plate Base	1

Index No.	Part No.	Description	Q'ty Per Assembly
100	0720 0080Z	Retaining Ring - M8	
101	0623 0160E	Spring Pin - 3x16mm	
102	0434 0060Z	Pan Head Self-tapping Screw - M4x6	
103	0313 0100Z	Philips Pan Head Screw - M3x10	
104	0960 4008Z	Flange Head Screw - 4x8	
105	0805 3452	Ball Bearing - 10x22x6mm	
106	0314 0350Z	Screw - M4X35	
107	0593 0080E	Bolt - M3x8	

18. Delivery Table (C226)

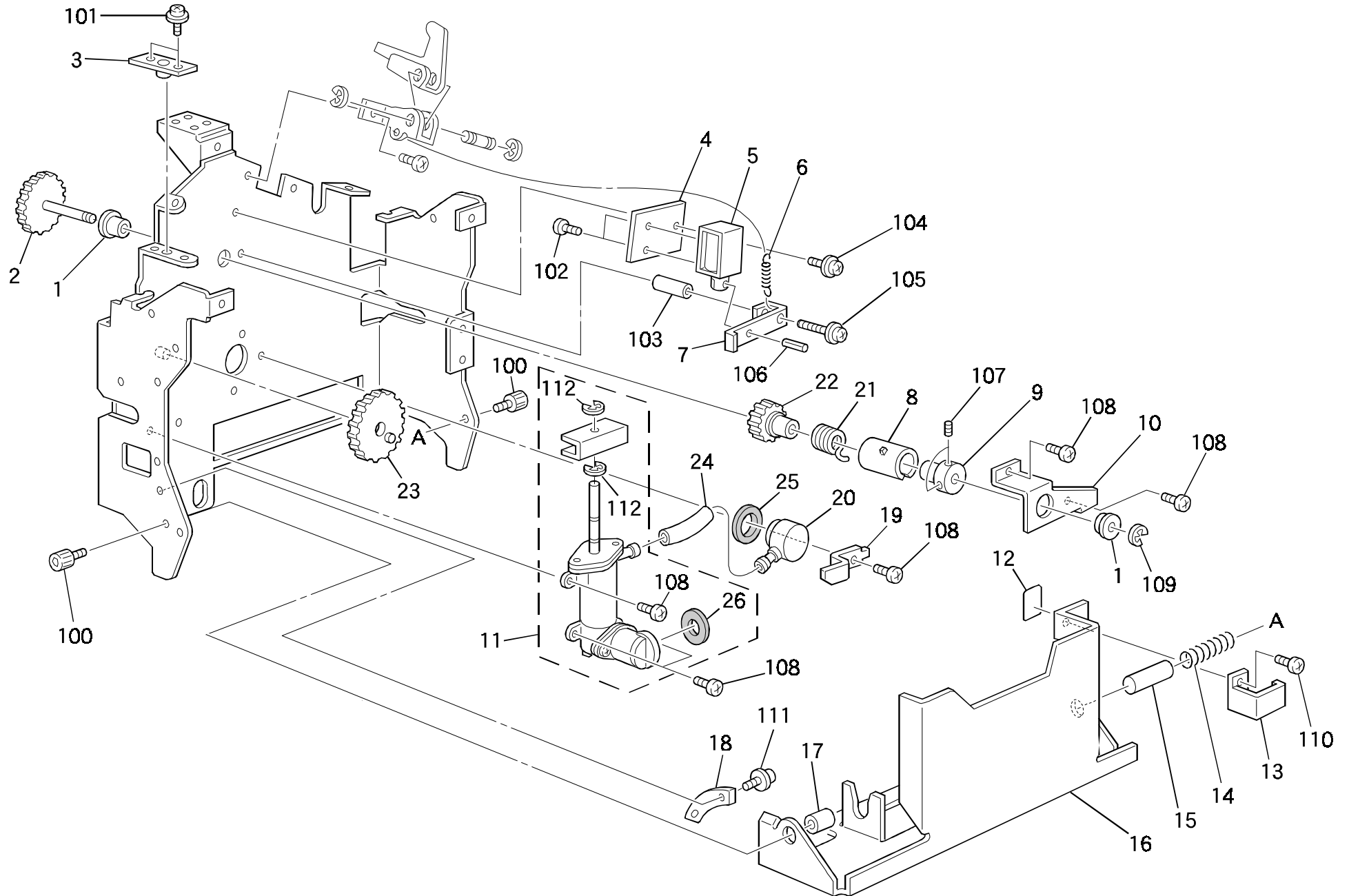


18. Delivery Table (C226)

Index No.	Part No.	Description	Q'ty Per Assembly
1	C227 6184	End Fence	1
2	C227 6169	Sponge Seal - 4.5x65x175	1
3	C226 6167	End Fence Shaft	2
4	C209 6160	End Fence Base	1
5	C227 6159	End Fence Spring - Large	2
6	C209 6158	End Fence Bracket	2
7	C209 6162	Right Rail - End Fence (A4)	1
7	C210 6255	Right Rail - End Fence (LT)	1
8	C209 6163	Spacer - 10x18x1	2
9	C209 6164	Rail Spring - End Fence	2
10	C209 6168	End Fence Washer	2
11	C226 6166	End Fence Support Plate	1
12	C209 6161	Left Rail - End Fence (A4)	1
12	C210 6254	Left Rail - End Fence (LT)	1
13	C209 6183	Small End Fence	1
14	C209 6144	Guide Fence Shaft	1
15	C209 6151	End Fence Support Rail	1
16	C209 6142	Guide Fence Slider	1
17	C209 6150	End Fence Spring	1
18	C209 6153	Bracket - Support End Fence	1
19	C209 6136	Magnet Plate	1
20	C210 6253	Delivery Table (LT)	1
20	C210 6262	Delivery Table (A4)	1
21	C218 6119	Delivery Table Cover	1
22	C226 6146	Rear Guide Fence	1
23	C226 6147	Front Guide Fence	1
24	C209 6144	Guide Fence Shaft	2
25	C209 6143	Guide Fence Knob	2
26	C209 6141	Guide Fence Rail	1
27	C227 6142	Guide Fence Slider	2
28	C227 6157	Guide Fence Spring	2
29	C227 6145	Guide Fence Bracket	2
30	C227 6173	Upper Guide - Rear Fence	1
31	C227 6172	Upper Guide - Front Fence	1
32	C221 6131	Right Stay - Delivery Table	1

Index No.	Part No.	Description	Q'ty Per Assembly
33	C221 6130	Left Stay - Delivery Table	1
34	C226 6169	Exit Guide	2
35	C226 6170	End Fence Guide	2
36	5607 3927	Stepped Screw - M3x8	2
37	C209 6137	Magnet Catch Cover	1
38	C227 6166	Lower Guide - Rear Fence (A4)	1
38	C222 6166	Lower Guide - Rear Fence (LT)	1
39	C227 6167	Lower Guide - Front Fence (A4)	1
39	C222 6167	Lower Guide - Front Fence (LT)	1
40	C227 6155	Lower Guide Shaft	4
41	C227 6156	Upper Guide Shaft	4
42	C227 6158	Guide Stopper	4
43	C227 6160	Upper Guide Spring Plate	2
44	C227 6162	Upper Guide Link	2
100	0720 0030Z	Retaining Ring - M3	
101	0343 0060W	Philips Pan Head Screw - M3x6	
102	0707 8105B	Bushing - M8x10.5	
103	0323 0060Z	Philips Sunk Screw - M3x6	
104	0313 0060Z	Philips Pan Head Screw - M3x6	
105	0450 3008W	Philips Tapping Screw - M3x8	
106	0965 3012W	Tapping Screw With Flat Washer - M3	
107	0450 4008W	Philips Tapping Screw - M4x8	

19. Drum Section 1 (C226)

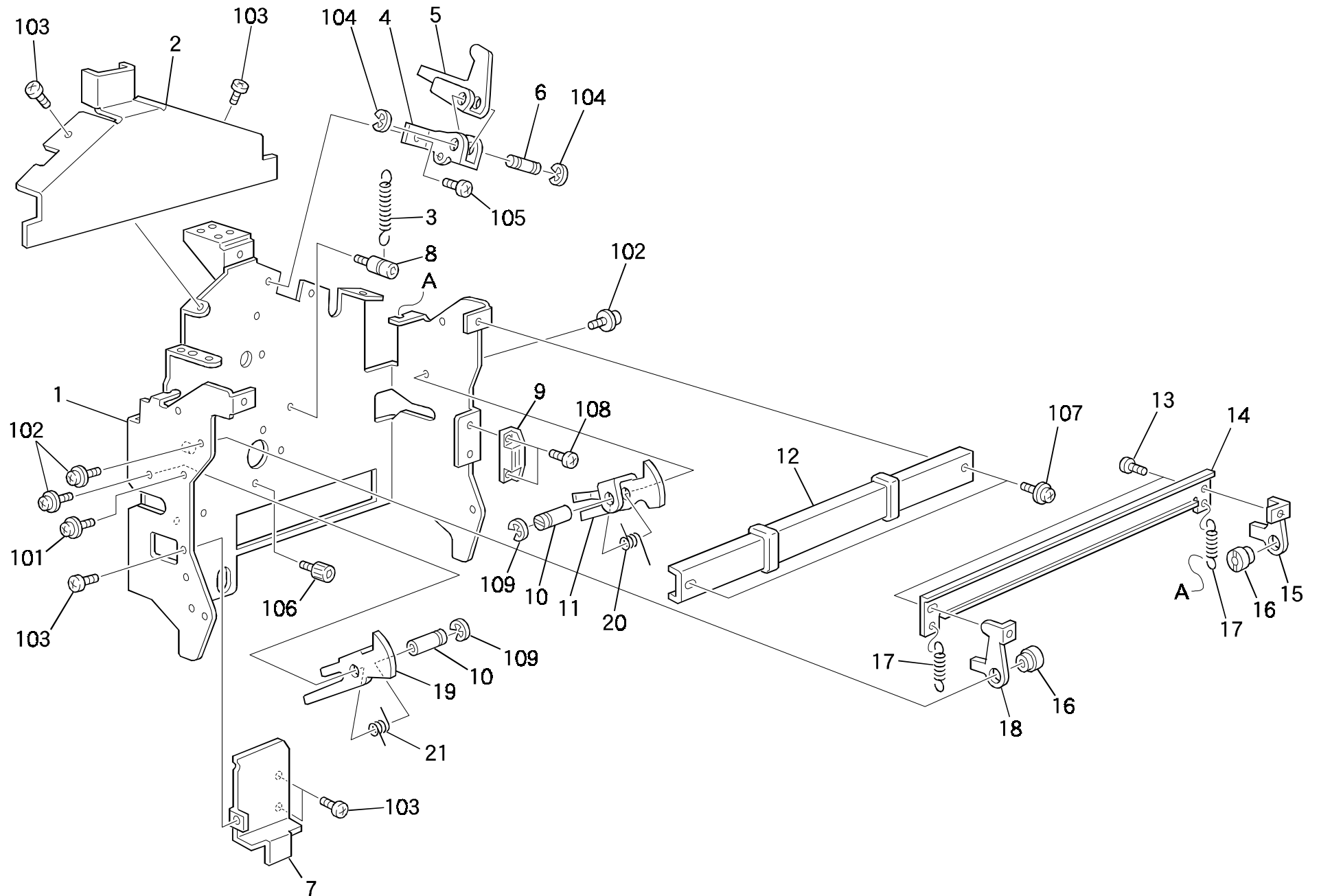


19. Drum Section 1 (C226)

Index No.	Part No.	Description	Q'ty Per Assembly
1	5507 6624	Bushing - 8x16x45mm	2
2	C200 4852	Gear - 50T	1
3	C200 4814	Bushing - 6x10x55mm	1
4	C200 4864	Bracket - Ink Supply Solenoid	1
5	C224 8460	Ink Supply Solenoid	1
6	5607 3705	Drive Spring	1
7	C200 4862	Ink Stopper	1
8	C200 4861	Pump Clutch Sleeve	1
9	C201 4067	Pump Clutch Collar	1
10	C201 4677	Clutch Bracket	1
11	C224 4670	Ink Pump Ass'y	1
11	C224 4680	Ink Pump Ass'y (AB Dick)	1
12	C200 4928	Seal - 0.5x14x9	1
13	C201 4639	Ink Holder Handle	1
14	C201 4682	Ink Cartridge Spring	1
15	C200 4924	Right Shaft - Ink Holder	1
16	C203 4553	Ink Holder	1
17	C200 4923	Left Shaft - Ink Holder	1
18	C200 4926	Ink Holder Cam	1
19	C200 4813	Support Plate - Ink Antechamber	1
20	C213 4810	Ink Antechamber	1
21	C201 4676	Clutch Spring	1
22	C209 4674	Gear - 25Z	1
23	C200 4867	Gear - 50T	1
24	C557 4817	Ink Tube	1
25	C200 4826	Pump Rubber	1
26	C200 4827	Packing - Pump Socket	1

Index No.	Part No.	Description	Q'ty Per Assembly
100	0595 0080Z	Bolt - M5x8	
101	0951 4006Z	Philips Screw With Flat Washer - M4x6	
102	0313 0040Z	Philips Pan Head Screw - M3x4	
103	0707 4160B	Bushing - 4x16mm	
104	0960 4006Z	Philips Frang Screw - M4x6	
105	0951 4020Z	Philips Screw With Flat Washer - M4x20	
106	0623 0080E	Spring Pin - 3x8mm	
107	0574 0050E	Hexagon Headless Set Screw - M4x5	
108	0434 0080Z	Pan Head Self-tapping Screw - M4x8	
109	0720 0060Z	Retaining Ring - M6	
110	0314 0060Z	Philips Pan Head Screw - M4x6	
111	0951 4010Z	Philips Screw With Flat Washer M4x10	
112	0720 0050Z	Retaining Ring - M5	

20. Drum Section 2 (C226)

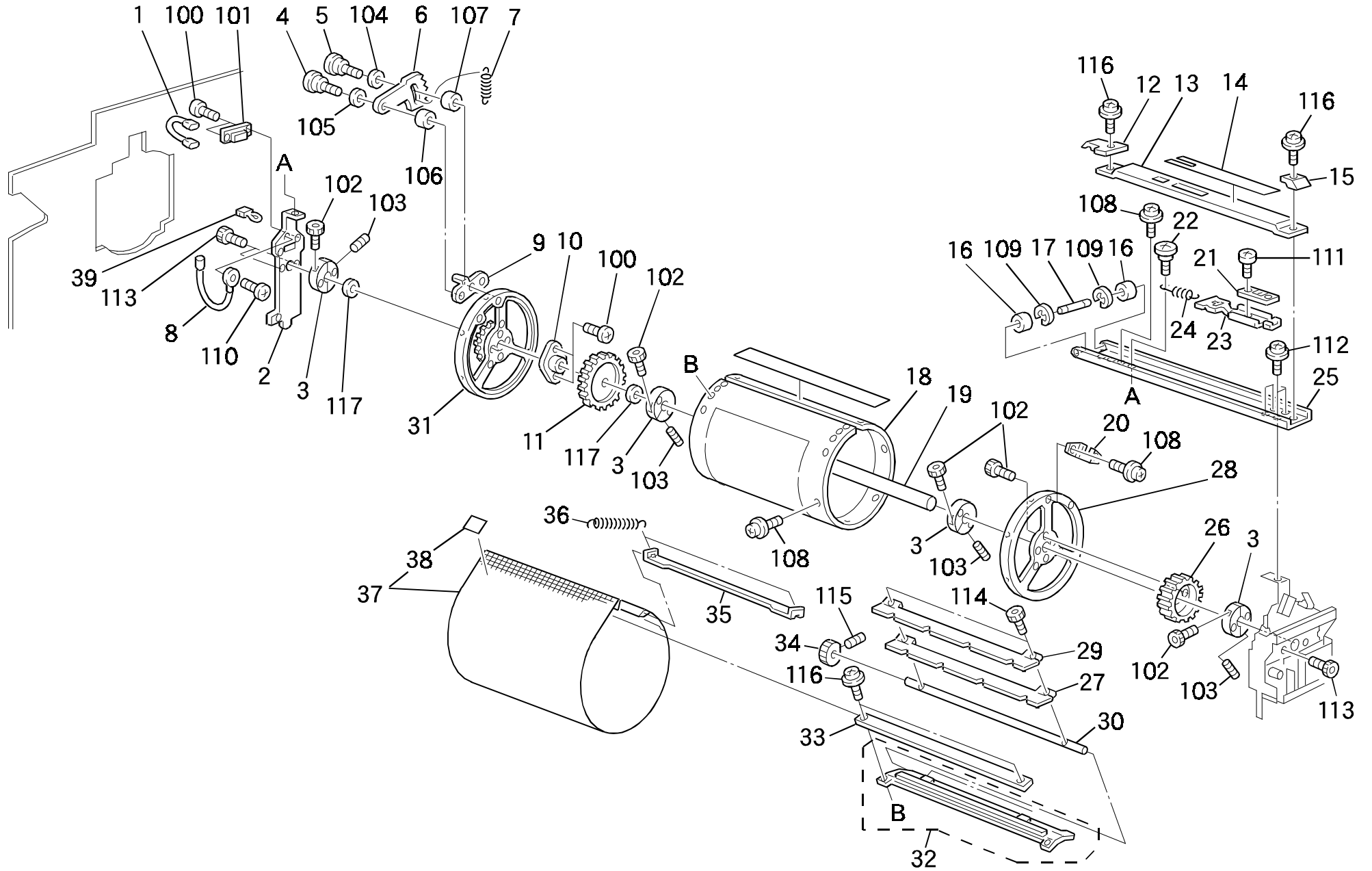


20. Drum Section 2 (C226)

Index No.	Part No.	Description	Q'ty Per Assembly
1	C201 4621	Drum Side Plate (B4 Model)	1
1	C211 4570	Drum Side Plate (A4 Model)	1
2	C200 4622	Side Plate Cover - Drum	1
3	C200 4914	Drum Stopper Spring	1
4	C200 4912	Drum Stopper Bracket	1
5	C203 4532	Drum Stopper	1
6	C200 4913	Drum Stopper Shaft	1
7	C200 4623	Rear Cover - Drum Side Plate	1
8	5413 2266	Spring Anchor	1
9	5054 0536	Magnet Catch Ass'y	1
10	C200 4633	Drum Lock Shaft - Long	2
11	C200 4632	Right Arm - Drum Lock (B4 Model)	1
11	C211 4632	Right Arm - Drum Lock (A4 Model)	1
12	C201 4636	Drum Unit Handle	1
13	5400 3404	Stepped Screw	2
14	C200 4639	Release Lever - Drum Lock	1
15	C200 4637	Right Stopper - Drum Lock	1
16	C200 4638	Drum Lock Shaft - Small	2
17	C200 4640	Stopper Spring - Drum Lock	2
18	C200 4636	Left Stopper - Drum Lock	1
19	C200 4631	Left Arm - Drum Lock (B4 Model)	1
19	C211 4631	Left Arm - Drum Lock (A4 Model)	1
20	C200 4635	Drum Lock Spring - Right	1
21	C200 4634	Drum Lock Spring - Left	1

Index No.	Part No.	Description	Q'ty Per Assembly
101	0434 0100Z	Pan Head Self-tapping Screw - M4x10	
102	0951 4006Z	Philips Screw With Flat Washer - M4	
103	0434 0060Z	Pan Head Self-tapping Screw - M4x6	
104	0720 0050Z	Retaining Ring - M5	
105	0434 0080Z	Pan Head Self-tapping Screw - M4x8	
106	0594 0080E	Bolt - M4x8	
107	0964 4008Z	Tapping Screw W/Washer - M4x8	
108	0314 0060Z	Philips Pan Head Screw - M4x6	
109	0720 0060Z	Retaining Ring - M6	

21. Drum Section 3 (C226)

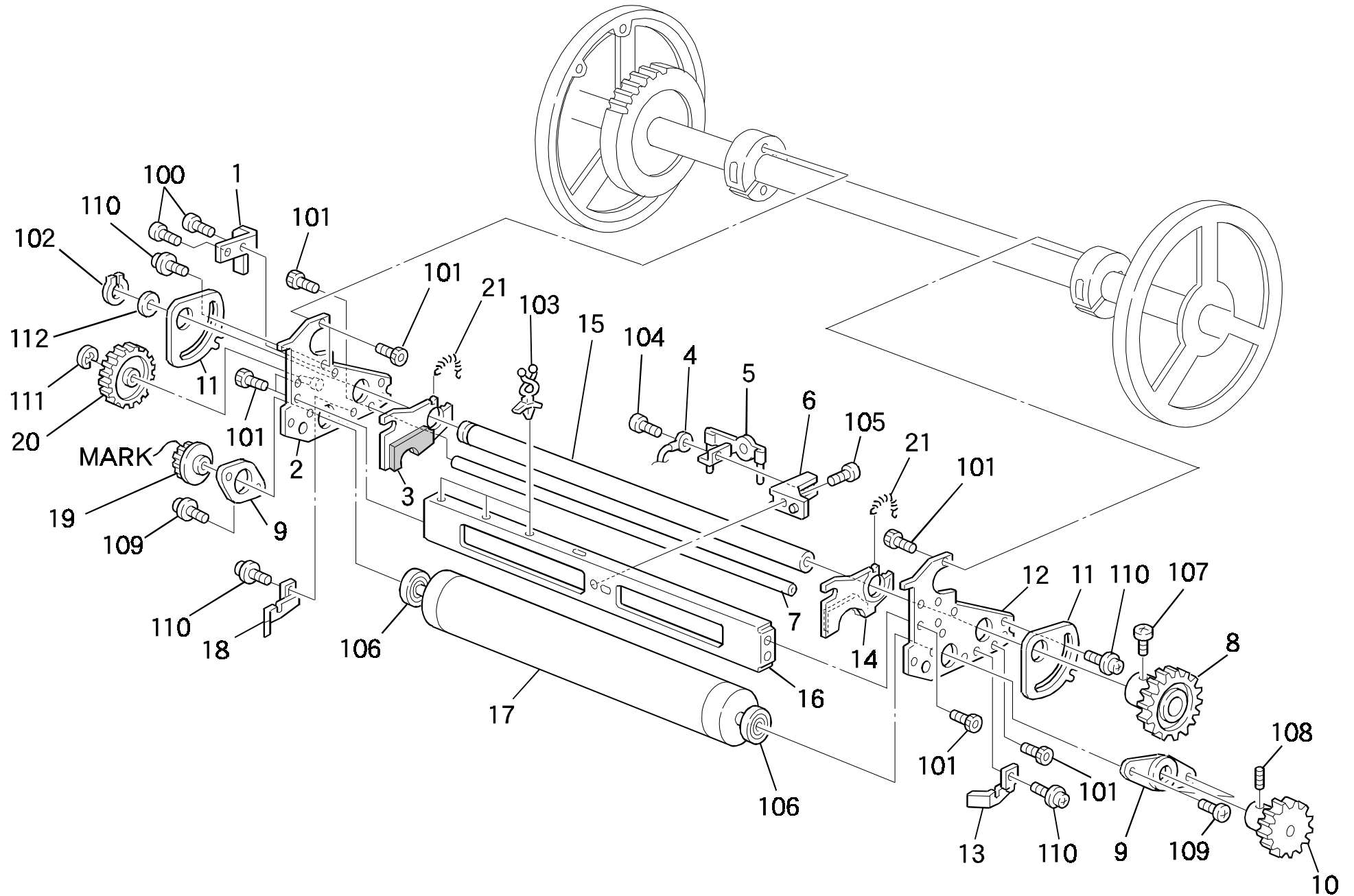


21. Drum Section 3 (C226)

Index No.	Part No.	Description	Q'ty Per Assembly
1	C200 8524	Color Drum Harness	1
2	C200 4613	Rear Side Plate - Drum	1
3	C200 4653	Drum Shaft Bracket	4
4	5506 6069	Step Screw - Etching Middle Roller	1
5	C200 4946	Clamper Sector Shaft	1
6	C200 4944	Sector Gear - 9t	1
7	C200 4945	Sector Gear Spring	1
8	C200 8522	Ground Wire	1
9	C219 4686	Drum H.P Sensor Actuator	1
10	C200 4674	Drive Flange - Ink Roller (B4 Model)	1
10	C211 4674	Drive Flange - Ink Roller (A4 Model)	1
11	C200 4672	Gear - 48T	1
12	C207 4612	Rear Roller Guide	1
13	C201 4613	Drum Rail Cover	1
14	C201 2543	Decal - Drum Caution	1
15	C207 4611	Front Stopper Guide	1
16	C201 4604	Drum Rail Roller	2
17	C200 4627	Drum Rail Shaft	1
18	C215 4690	Metal Screen (B4 Model)	1
18	C226 4691	Metal Screen (A4 Model)	1
19	C200 4650	Drum Shaft	1
20	C201 4681	Stopper Plate	1
21	C201 4609	Stopper Relasing Lever	1
22	5506 6111	Stepped Screw - M4	1
23	C201 4606	Stopper Releasing Plate	1
24	C201 4610	Drum Slider Spring	1
25	C200 4625	Drum Rail	1
26	C200 4673	Gear - 50T	1
27	C207 4938	Clamper Plate	1
28	C557 4648	Front Drum Flange	1
29	C207 4938	Clamper Plate	1
30	C219 4941	Clamper Shaft	1
31	C219 4560	Rear Drum Flange	1
32	C215 4950	Drum Clamper Base Ass'y	1
33	C200 4682	Screen Front Plate (B4 Model)	1

Index No.	Part No.	Description	Q'ty Per Assembly
33	C211 4682	Screen Front Plate (A4 Model)	1
34	C200 4942	Pinion - 9t	1
35	C200 4683	Screen Rear Plate (B4 Model)	1
35	C211 4683	Screen Rear Plate (A4 Model)	1
36	C203 4524	Screen Plate Spring	1
37	C219 4583	Tetron Screen - B4	1
37	C226 4588	Tetron Screen - A4	1
38	C207 4550	Sensor Sheet - 8x20	1
100	0314 0080Z	Philips Screw - 4x8	
101	1102 1341	Connector - 8p	
102	0595 0140E	Hexagon Bolt - M5x14	
103	0575 0080E	Hexagon Headless Set Screw - M5x8	
104	0807 4126	Flat Washer - 6.2x12x0.2mm	
105	0807 5044	Spacer - 8.1mm x 11.5mm x 0.2	
106	0807 5076	Washer - 8x13x2.2mm	
107	0807 3103	Washer - 4x13x2.3mm	
108	0951 4006Z	Philips Screw With Flat Washer - M4x6	
109	0720 0050Z	Retaining Ring - M5	
110	0314 0060Z	Philips Pan Head Screw - M4x6	
111	0323 0050Z	Philips Sunken Head Screw - M3x5	
112	0960 4006Z	Philips Frang Screw - M4x6	
113	0594 0080Z	Bolt - M4x8	
114	0804 6091	Hexagonal Set Screw - M2x5	
115	0574 0050E	Hexagon Headless Set Screw - M4x5	
116	0951 4008Z	Philips Screw With Flat Washer M4x8	
117	0807 7114	Washer - 16x24x0.3mm	

22. Drum Section 4 (C226)

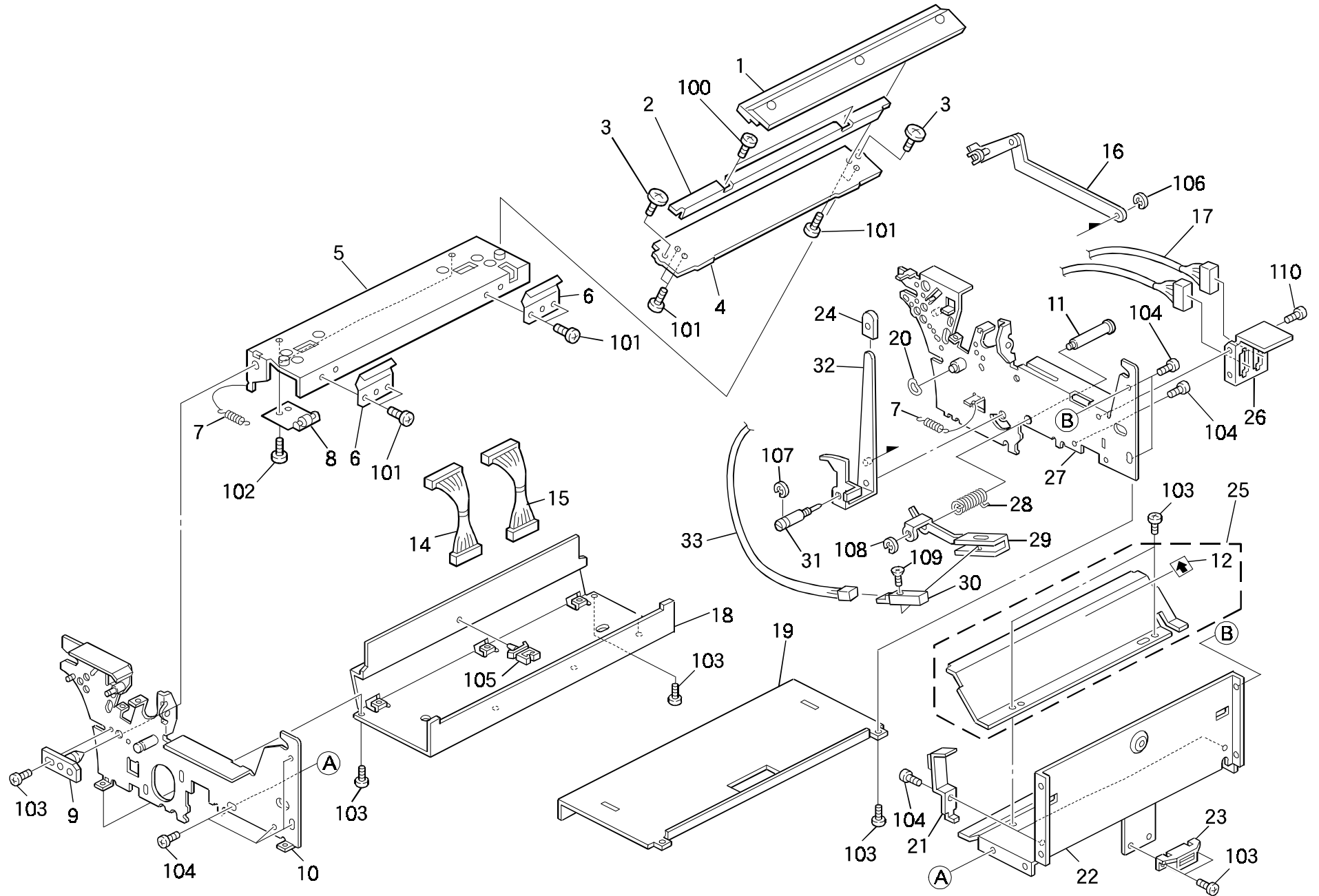


22. Drum Section 4 (C226)

Index No.	Part No.	Description	Q'ty Per Assembly
1	C200 4749	Ground Plate	1
2	C207 4665	Rear Side Plate - Ink Roller	1
3	C217 4594	Rear Bank Plate	1
4	C200 8520	Ink Detector Harness	1
5	C203 4543	Ink Detector	1
6	C200 4733	Ink Detector Bracket	1
7	C200 4715	Shaft Stay - Ink Roller (B4 Model)	1
7	C211 4715	Shaft Stay - Ink Roller (A4 Model)	1
8	C200 4748	Gear - 45T	1
9	C201 4665	Bearing Holder	2
10	C200 3629	Gear - 20T	1
11	C200 4723	Adjusting Plate - Doctor Roller	2
12	C207 4664	Front Side Plate - Ink Roller	1
13	C217 4598	Front Drum Blade	1
14	C217 4592	Front Bank Plate	1
15	C200 4722	Drum Doctor Roller (B4 Model)	1
15	C211 4722	Drum Doctor Roller (A4 Model)	1
16	C201 4664	Ink Roller Stay (B4 Model)	1
16	C211 4664	Ink Roller Stay (A4 Model)	1
17	C201 4666	Drum Ink Roller (B4 Model)	1
17	C211 4666	Drum Ink Roller (A4 Model)	1
18	C217 4599	Rear Drum Blade	1
19	C207 4670	Gear - 24Z	1
20	C207 4672	Gear - 36Z	1
21	C215 4557	Spring	2

Index No.	Part No.	Description	Q'ty Per Assembly
100	0314 0080Z	Philips Screw - 4x8	
101	0594 0060E	Socket Screw - 4x6	
102	0725 0160E	Retaining Ring C - M16	
103	1105 0209	Clamp	
104	0434 0082Z	Tapping Screw - M4x8	
105	0314 0060Z	Philips Pan Head Screw - M4x6	
106	0740 3206	Ball Bearing - 6x19x6	
107	0313 0050Z	Philips Screw - 3x5	
108	0573 0040E	Hexagon Headless Set Screw - M3x4	
109	0313 0040Z	Philips Pan Head Screw - M3x4	
110	0951 4006Z	Philips Screw With Flat Washer - M4x6	
111	0720 0050Z	Retaining Ring - M5	
112	0807 7114	Washer - 16x24x0.3mm	

23. Master Feed Section 1 (C226)

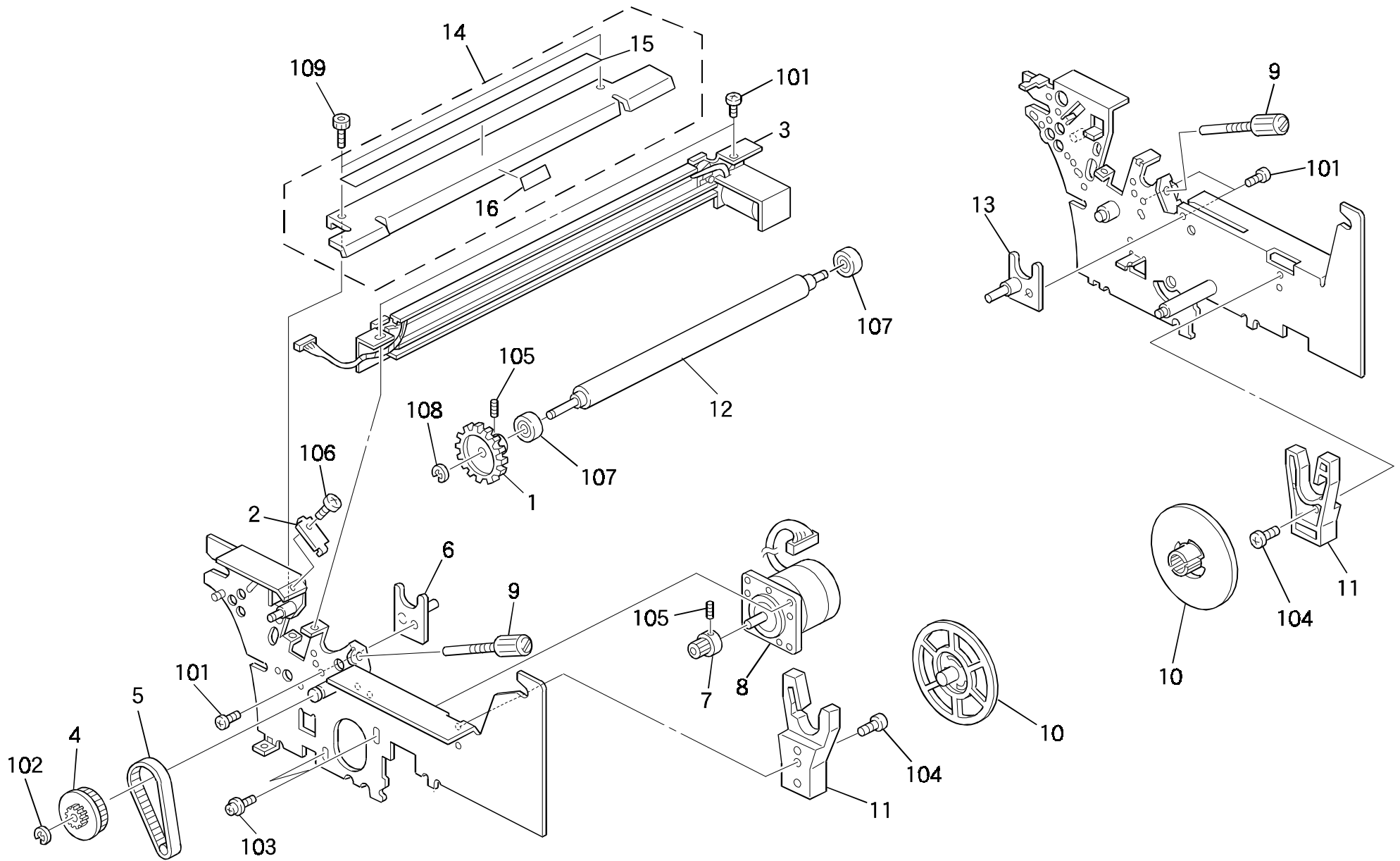


23. Master Feed Section 1 (C226)

Index No.	Part No.	Description	Q'ty Per Assembly
1	C224 8031	Thermal Head - B4	1
2	C222 4001	Guide Plate - Thermal Head	1
3	C209 4180	Thermal Head Spacer	2
4	C222 4002	Thermal Head Spacer	1
5	C222 4003	Thermal Head Base	1
6	C209 4139	Spring Plate	2
7	C219 4007	Spring - B4 (B4 Model)	2
7	C219 4154	Spring - LG (A4 Model)	2
8	C222 4136	Pressure Spring	2
9	C209 4040	Left Adjusting Plate	1
10	C222 4111	Left Side Plate	1
11	C219 4026	Sensor Shaft	1
12	C218 2827	Decal - Master Feed	1
14	C226 8164	Harness - Power Supply	1
15	C226 8163	Thermal Head Harness	1
16	C209 4076	Tension Release Arm	1
17	C226 8128	Plotter Harness	1
18	C219 4015	Plotter Base	1
19	C219 4012	Plotter Lower Cover	1
20	C218 4038	Bushing Washer - M8	1
21	C203 4013	Brake Plate	2
22	C219 4022	Master Roll Catcher	1
23	AG07 0004	Magnetic Catch	1
24	C209 4059	Lever Knob	1
25	C219 4019	Thermal Head Cover	1
26	C226 4250	Right Connector Bracket	1
27	C219 4101	Right Side Plate	1
28	C219 4028	Sensor Spring	1
29	C209 4027	Master End Sensor Bracket	1
30	5203 5230	Master Sensor	1
31	C219 4029	Lever Shaft	1
32	C219 4031	Platen Release Lever	1
33	C226 8129	Sensor Harness	1

Index No.	Part No.	Description	Q'ty Per Assembly
100	0313 0040Z	Philips Pan Head Screw - M3x4	
101	0313 0060Z	Philips Pan Head Screw - M3x6	
102	0313 0050Z	Philips Screw - 3x5	
103	0314 0060Z	Philips Pan Head Screw - M4x6	
104	0434 0080Z	Pan Head Self-tapping Screw - M4x8	
105	1105 0144	Harness Clamp	
106	0720 0040Z	Retaining Ring - M4	
107	0720 0070Z	Retaining Ring - M7	
108	0720 0050Z	Retaining Ring - M5	
109	0323 0100Z	Philips Sunken Head Screw - M3x10	
110	0434 0060Z	Pan Head Self-tapping Screw - M4x6	

24. Master Feed Section 2 (C226)

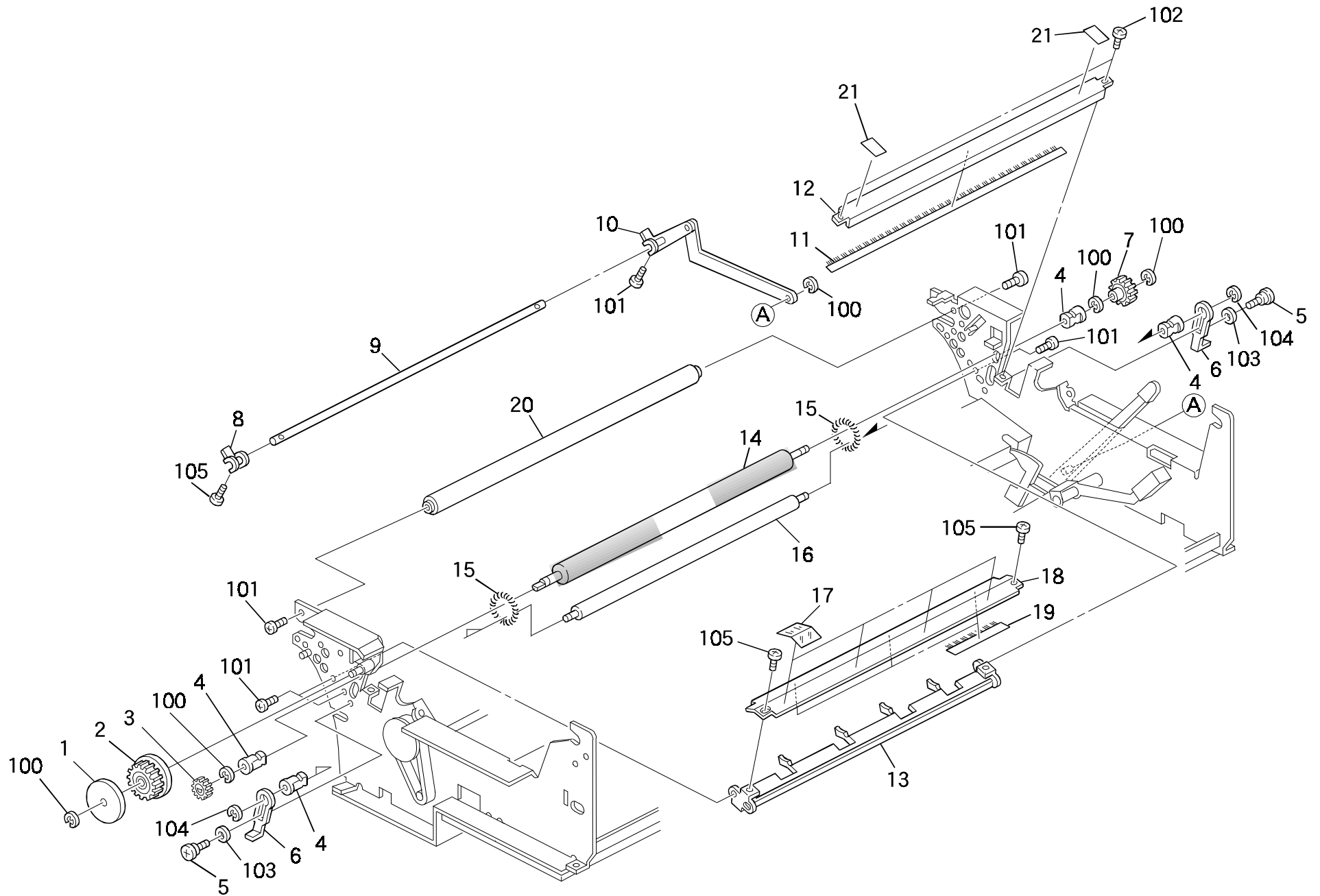


24. Master Feed Section 2 (C226)

Index No.	Part No.	Description	Q'ty Per Assembly
1	C209 4049	Gear - 48Z	1
2	C219 4130	Left Gear Cover	1
3	C224 4065	Cutter Unit	1
4	C222 4070	Gear - 42Z	1
5	C222 4072	Timing Belt	1
6	C222 4037	Left Holder	1
7	C219 4071	Gear - 17Z	1
8	C215 8121	Master Motor - DC24V/38.4W	1
9	C207 4150	Fixing Screw	2
10	C213 4042	Master Roll Flange (B4 Model)	2
10	C201 4005	Master Roll Flange (A4 Model)	2
11	C213 4040	Master Holder (B4 Model)	2
11	C211 4040	Master Holder (A4 Model)	2
12	C222 4044	Platen Roller (B4 Model)	1
12	C226 4244	Platen Roller (A4 Model)	1
13	C222 4036	Right Holder	1
14	C226 4232	Cutter Unit Cover	1
15	C226 2842	Decal - Master Setting	1
16	C218 2827	Decal - Master Feed	1

Index No.	Part No.	Description	Q'ty Per Assembly
101	0314 0060Z	Philips Pan Head Screw - M4x6	
102	0720 0070Z	Retaining Ring - M7	
103	0951 4010Z	Philips Screw With Flat Washer M4x10	
104	0434 0080Z	Pan Head Self-tapping Screw - M4x8	
105	0574 0040E	Hexagon Headless Set Screw - M4x4	
106	0314 0060Z	Philips Pan Head Screw - M4x6	
107	0740 3008	Ball Bearing - 8x22x7	
108	0720 0060Z	Retaining Ring - M6	

25. Master Feed Section 3 (C226)

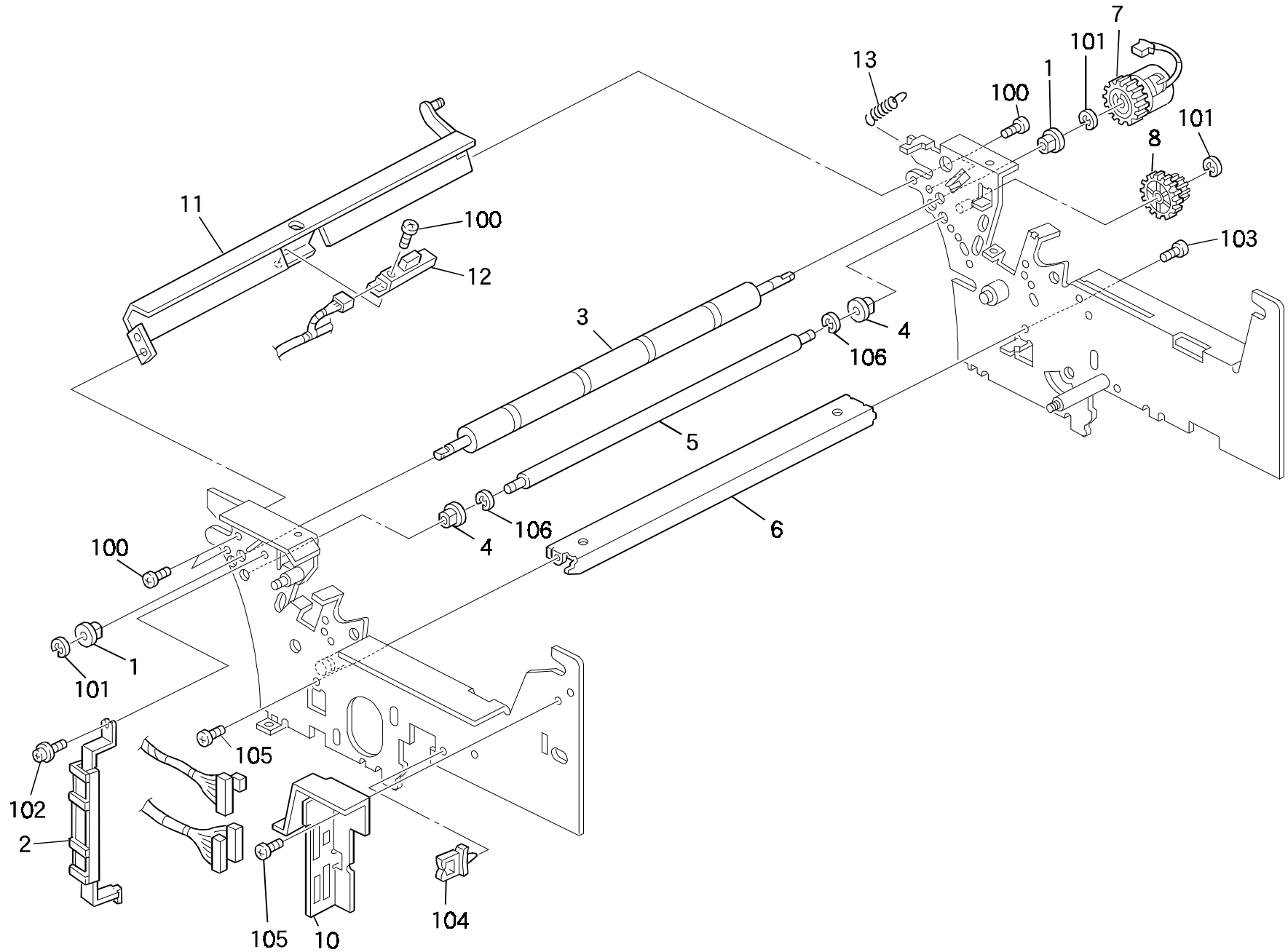


25. Master Feed Section 3 (C226)

Index No.	Part No.	Description	Q'ty Per Assembly
1	C209 4116	Spacer - 6x36x0.3	1
2	C209 4115	Gear - 30Z	1
3	C222 4071	Gear - 30Z	1
4	5056 0188	Bushing - 6mm - Long	4
5	5403 2075	Stepped Screw	2
6	C203 4060	Tension Release Slider	2
7	C209 4072	Gear - 24Z	1
8	C209 4075	Left Arm - Tension Release	1
9	C219 4048	Tension Release Shaft	1
10	C209 4076	Tension Release Arm	1
11	C219 4054	Antistatic Brush	1
12	C219 4056	Master Guide Plate	1
13	C219 4055	Reverse Guide	1
14	C224 4052	Upper Tension Roller	1
15	C200 4184	Tension Spring	2
16	C219 4052	Lower Master Feed Roller	1
17	C203 4038	Master Guide - Large	4
18	C219 4053	Lower Master Guide Plate	1
19	C209 4321	Antistatic Brush	3
20	C219 4120	Plotter Stay	1
21	C224 4057	Tension Roller Guide Seal	2

Index No.	Part No.	Description	Q'ty Per Assembly
100	0720 0040Z	Retaining Ring - M4	
101	0313 0060Z	Philips Pan Head Screw - M3x6	
102	0312 5050Z	Philips Pan Head Screw - M2.5x5	
103	0701 0060Z	Flat Washer - M6	
104	0720 0050Z	Retaining Ring - M5	
105	0313 0050Z	Philips Screw - 3x5	

26. Master Feed Section 4 (C226)

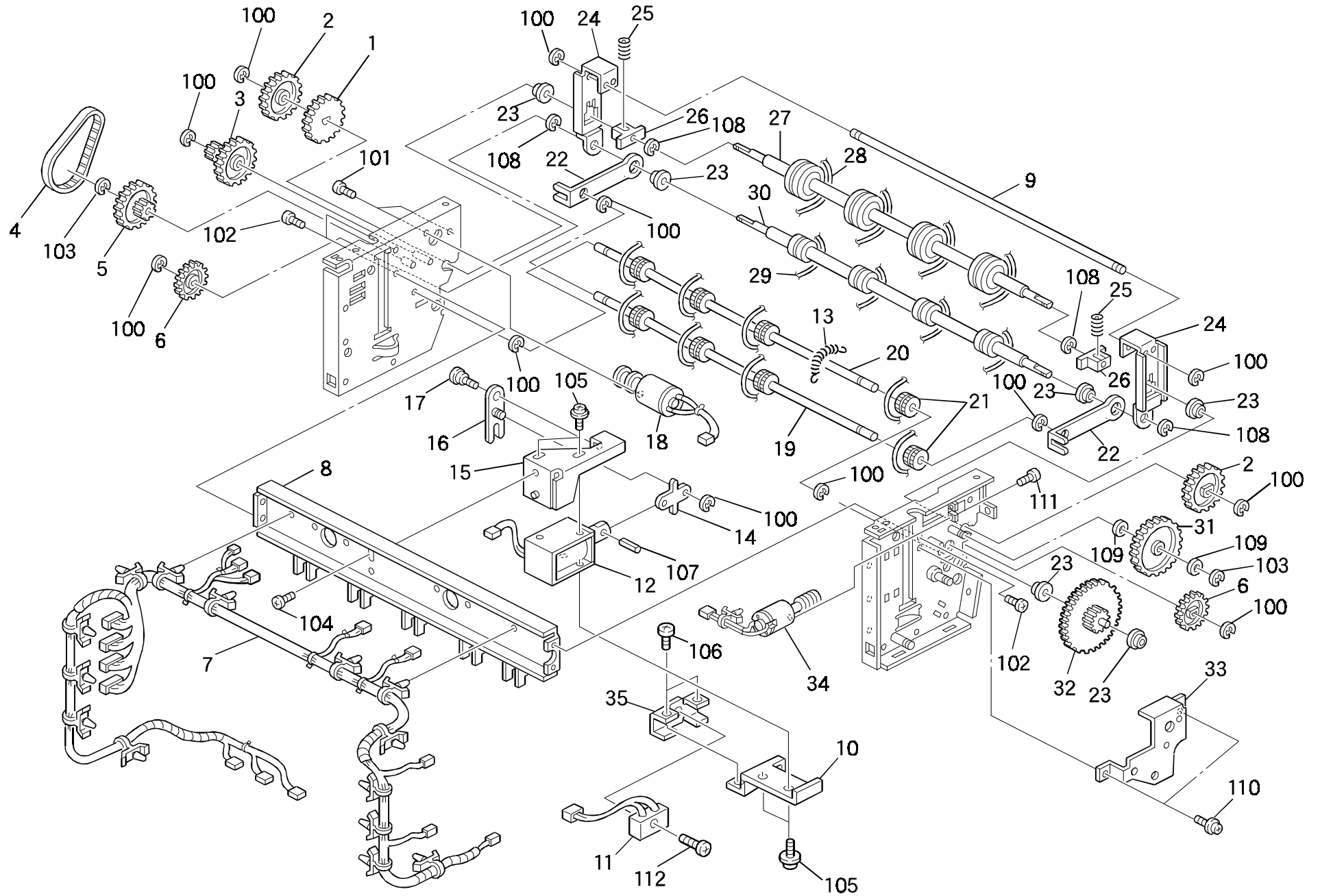


26. Master Feed Section 4 (C226)

Index No.	Part No.	Description	Q'ty Per Assembly
1	H012 1181	Bushing- 6mm	2
2	C209 4128	Harness Bracket	1
3	C224 4063	Upper Invertor Roller	1
4	0805 3263	Bearing - 6x10x6mm	2
5	C213 4045	Lower Reverse Roller	1
6	C219 4065	Plotter Middle Stay	1
7	C219 8239	Reverse Roller - Magnetic Clutch	1
8	C209 4114	Gear - 20/27Z	1
9	C219 4061	Master Guide	1
10	C226 4061	Left Connector Bracket	1
11	C226 4082	Upper Master Guide Plate	1
12	C203 8137	Master Sensor	1
13	C219 4058	Spring	1

Index No.	Part No.	Description	Q'ty Per Assembly
100	0313 0060Z	Philips Pan Head Screw - M3x6	
101	0720 0040Z	Retaining Ring - M4	
102	0964 4008Z	Tapping Screw W/Washer - M4x8	
103	0313 0060Z	Philips Pan Head Screw - M3x6	
104	1105 0144	Harness Clamp	
105	0434 0060Z	Pan Head Self-tapping Screw - M4x6	
106	0720 0050Z	Retaining Ring - M5	

27. Master Eject Section 1 (C226)



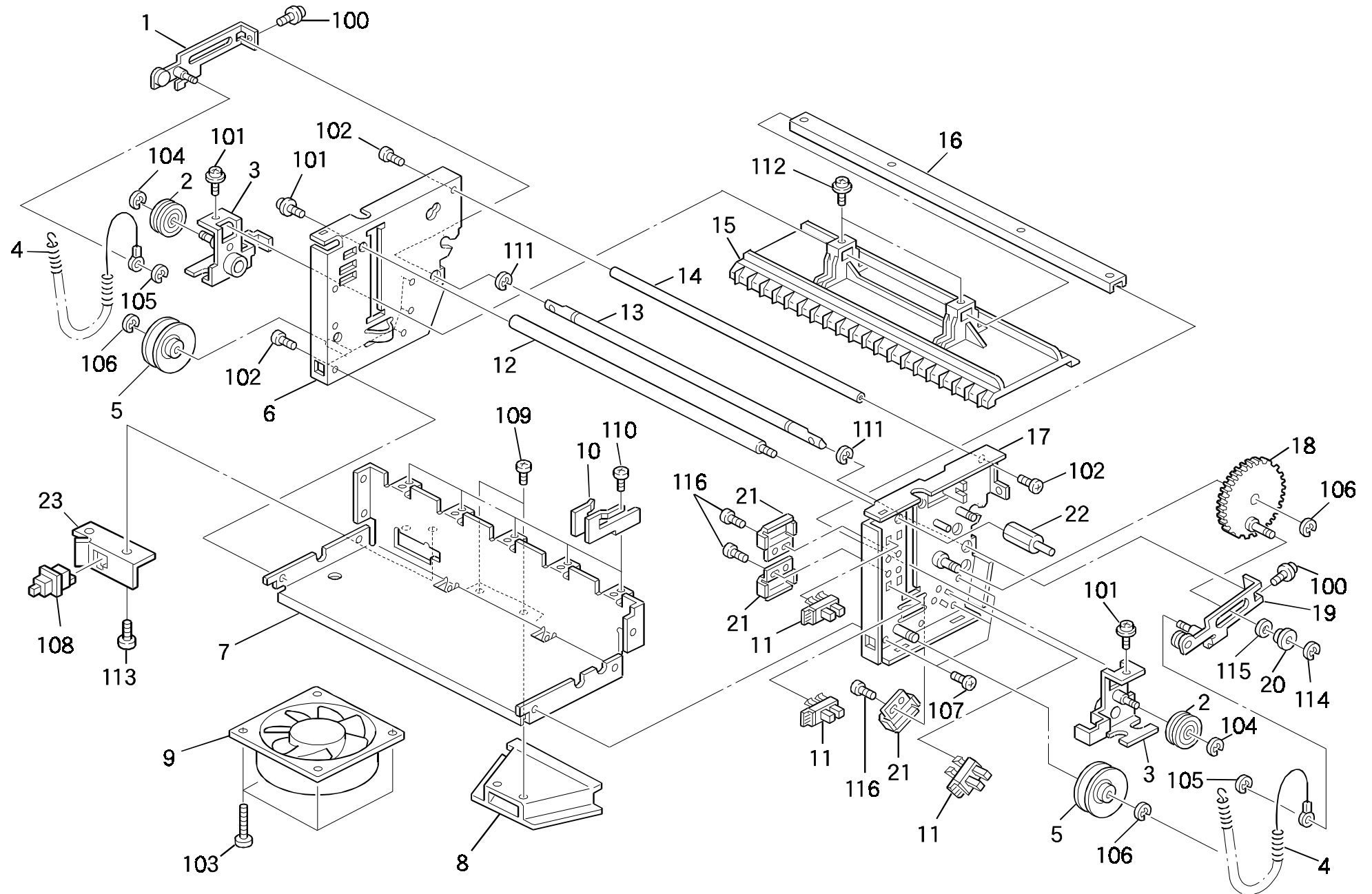
27. Master Eject Section 1 (C226)

Index No.	Part No.	Description	Q'ty Per Assembly
1	C209 3545	Gear - 62Z	1
2	C200 3627	Gear - 30T	2
3	C200 3606	Coupled Gear - 62T & 20T	1
4	C207 3612	Timing Belt - B30S2M126	1
5	C207 3604	Pulley - 40Z	1
6	C200 3628	Gear - 20T	2
7	C224 8122	Master Eject Harness	1
8	C219 3517	Master Eject Stay	1
9	C200 3537	Arm Connect Shaft	1
10	C207 3559	Sensor Bracket	1
11	C209 8117	Drum Master Detection Sensor	1
12	C224 8452	Master Eject Solenoid	1
13	C203 3501	Tension Spring	1
14	C209 3661	Solenoid Plate	1
15	C200 3553	Solenoid Bracket	1
16	C200 3554	Solenoid Arm	1
17	5403 2075	Stepped Screw	1
18	C209 8260	Micro Motor - Master Eject	1
19	C201 3529	Lower Pulley Shaft	1
20	C219 3526	Upper Pulley Shaft - B4 (B4 Model)	1
20	C219 3726	Upper Pulley Shaft - LG (A4 Model)	1
21	C200 3547	Pulley	2
22	C200 3529	Pulley Plate	2
23	5506 4608	Bushing - Paper Hold/down Roller -	6
24	C200 3535	Supporter	2
25	C201 3527	Pressure Spring	2
26	C200 3536	Separation Arm Bushing	2
27	C224 3541	Upper Eject Roller (B4 Model)	1
27	C226 3722	Upper Eject Roller - A4 (A4 Model)	1
28	C219 3605	Upper Belt	4
29	C219 3606	Lower Belt	4
30	C224 3545	Lower Eject Roller (B4 Model)	1
30	C226 3724	Lower Eject Roller - A4 (A4 Model)	1
31	C209 3550	Worm Gear - 16/50Z	1
32	C209 3551	Gear - 16/116Z	1

Index No.	Part No.	Description	Q'ty Per Assembly
33	C209 3557	Bracket	1
34	C217 8447	DC Motor - 24V/7.2W	1
35	C213 3561	Master Eject Sensor Bracket	1
100	0720 0040Z	Retaining Ring - M4	
101	0252 0080Z	Philips Pan Head Screw - M2x8	
102	0434 0060Z	Pan Head Self-tapping Screw - M4x6	
103	0720 0030Z	Retaining Ring - M3	
104	0314 0050Z	Philips Pan Head Screw - M4x5	
105	0951 3006Z	Philips Screw With Flat Washer - M3x6	
106	0313 0050Z	Philips Screw - 3x5	
107	0623 0120E	Spring Pin - M3x12	
108	0720 0050Z	Retaining Ring - M5	
109	0807 3041	Spring Washer	
110	0964 4008Z	Tapping Screw W/Washer - M4x8	
111	0313 0030Z	Philips Pan Head Screw - M3x3	



28. Master Eject Section 2 (C226)

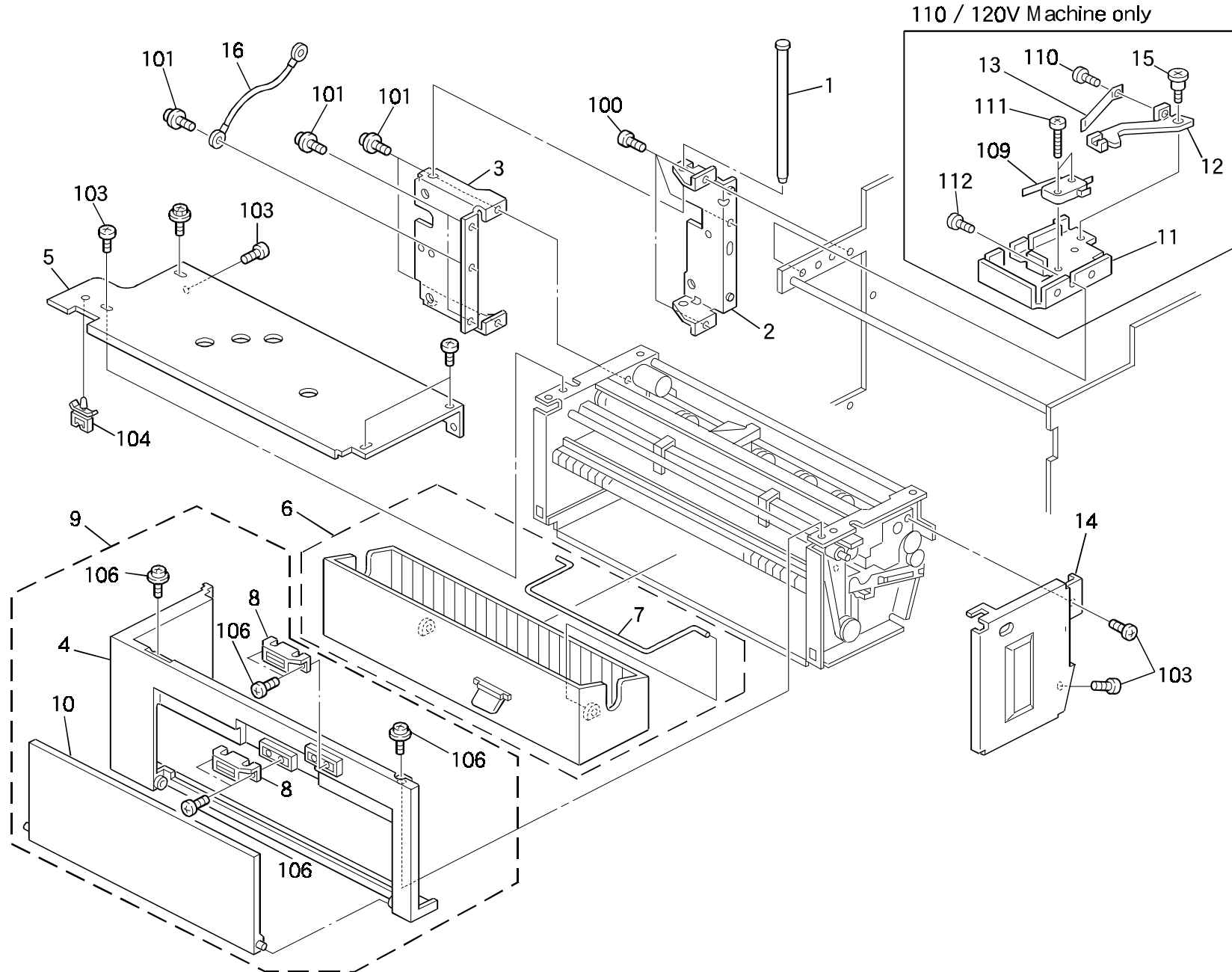


28. Master Eject Section 2 (C226)

Index No.	Part No.	Description	Q'ty Per Assembly
1	C209 3543	Rear Pressure Arm	1
2	C209 3536	Pulley	2
3	C209 3533	Pressure Plate Arm	2
4	C221 3537	Pressure Spring	2
5	C200 3712	Pulley	2
6	C209 3512	Rear Side Plate	1
7	C224 3727	Bottom Plate - Master Eject	1
8	C201 6015	Air Knif Nozzle	1
9	C219 8204	Vacuum Fan Motor - DC24V 0.3A	1
10	C218 3532	Pulley Guide	5
11	AW02 0075	Photointerrupter	3
12	C209 3642	Master Eject Stay - Large	1
13	C209 3539	Pressure Arm Shaft	1
14	C200 3508	Master Eject Stay - Small	1
15	C219 3531	Pressure Plate - B4/LG	1
16	C209 3532	Pressure Plate Shaft	1
17	C209 3501	Front Side Plate	1
18	C209 3554	Gear - 60Z	1
19	C209 3540	Front Pressure Arm	1
20	C209 3615	Spacer - 6x12x3	1
21	C209 3507	Master Exit Sensor Cover	3
22	C209 3643	Lock Stay	1
23	C222 3526	Sensor Bracket - Master Eject Box	1

Index No.	Part No.	Description	Q'ty Per Assembly
100	0960 4010Z	Philips Flange Screw - M4x10	
101	0960 4005Z	Philips Flange Screw - M4x5	
102	0314 0080Z	Philips Screw - 4x8	
103	0314 0350Z	Screw - M4X35	
104	0720 0040Z	Retaining Ring - M4	
105	0720 0030Z	Retaining Ring - M3	
106	0720 0060Z	Retaining Ring - M6	
107	0434 0060Z	Pan Head Self-tapping Screw - M4x6	
108	AW50 0012	Push Switch	
109	0964 3008Z	Tapping Screw W/flat Washer - M3x8	
110	0314 0060Z	Philips Pan Head Screw - M4x6	
111	0720 0080Z	Retaining Ring - M8	
112	0801 1135	Philips Pan Head Screw - M3x3	
113	0313 0050Z	Philips Screw - 3x5	
114	0720 0050Z	Retaining Ring - M5	
115	0807 4118	Flat Washer	
116	0433 0080Z	Tapping Screw - M3x8	

29. Master Eject Section 3 (C226)

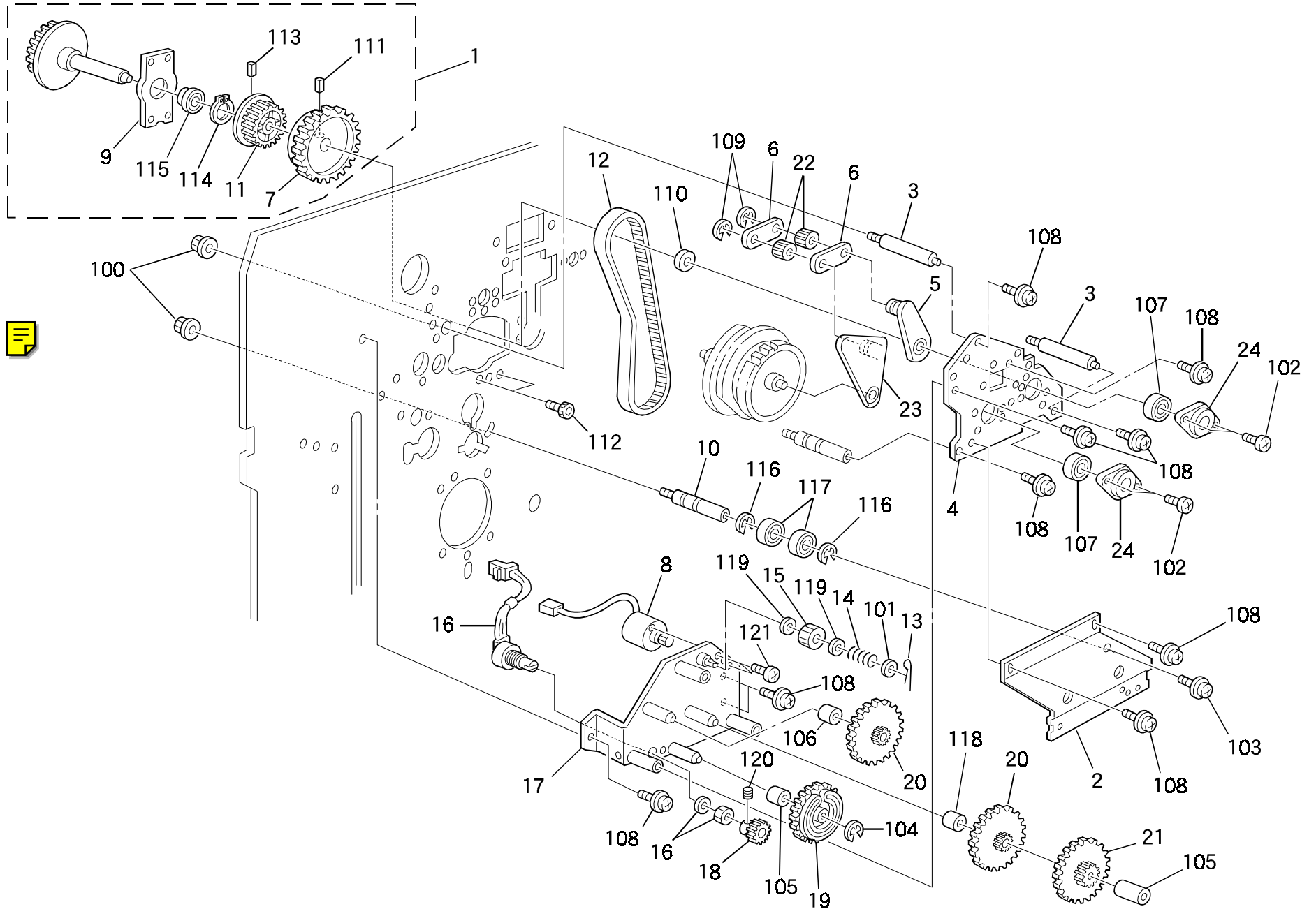


29. Master Eject Section 3 (C226)

Index No.	Part No.	Description	Q'ty Per Assembly
1	C203 3504	Hinge Shaft	1
2	C209 3671	Master Eject Hinge	1
3	C219 3680	Master Eject Hinge - Small	1
4	C224 2461	Master Eject Cover	1
5	C224 3768	Upper Inner Cover	1
6	C209 3558	Master Eject Box	1
7	C203 3511	Arm - Master Eject Box	1
8	AG07 0004	Magnetic Catch	1
9	C224 2460	Maser Eject Cover Ass'y	1
10	C218 2455	Master Eject Door	1
11	C224 2171	Safety Switch Bracket - Eject Box	1
12	C218 2172	Safety Switch Lever	1
13	C218 2173	Support Plate - Safety Switch	1
14	C219 3673	Inner Cover - Master Eject	1
15	C218 2185	Stepper Screw	1
16	C203 8204	Grounding Wire	1

Index No.	Part No.	Description	Q'ty Per Assembly
100	0434 0080Z	Pan Head Self-tapping Screw - M4x8	
101	0964 4010Z	Tapping Screw W/Washer - M4x10	
102	0314 0080Z	Philips Screw - 4x8	
103	0434 0060Z	Pan Head Self-tapping Screw - M4x6	
104	1105 0108	Nylon Clip	
106	0434 0062W	Pan Head Tapping Screw - M4x6	
108	0314 0060Z	Philips Pan Head Screw - M4x6	
109	1204 2376	Micro Switch - V-162-3C25	
110	0313 0050Z	Philips Screw - 3x5	
111	0313 0140Z	Philips Pan Head Screw - M3x14	
112	0801 1004	Screw - M4X4	

30. Drive Section 1 (C226)

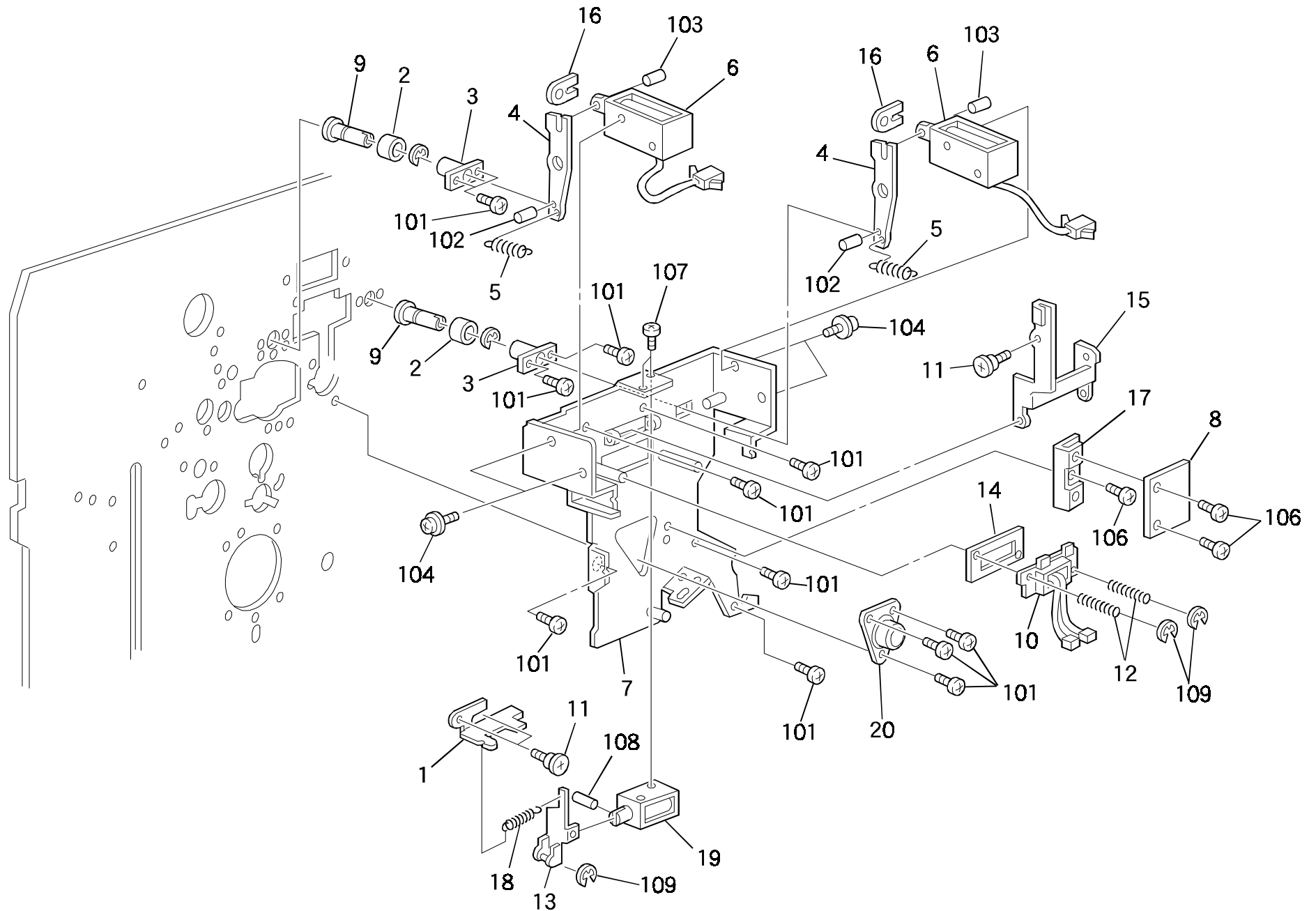


30. Drive Section 1 (C226)

Index No.	Part No.	Description	Q'ty Per Assembly
1	C213 2218	Stud & Gear - 30T	1
2	C213 6030	Reinforcement Plate	1
3	C201 2211	Stud	2
4	C203 2304	Support Side Plate	1
5	C200 2308	Image Shifting Arm - Small	1
6	C200 2311	Image Shifting Link	2
7	C223 2217	Gear Shaft	1
8	C224 8061	Motor - DC25.8W	1
9	C200 2248	Fixing Plate	1
10	C219 2315	Tension Shaft	1
11	C203 2317	Pulley - 26Z	1
12	C203 2316	Timing Belt	1
13	C203 2303	Snap Bushing	1
14	C200 2339	Blake Spring	1
15	C200 2338	Gear - 20T	1
16	C209 8280	Image Position Sensor	1
17	C224 2321	Bracket - Image Shifting Unit	1
18	C201 2221	Gear - 40T	1
19	C201 2222	Coupled Gear - 20t & 60t	1
20	C200 2331	Gear - 20T	2
21	C200 2332	Gear - 16T	1
22	C219 2226	Gear - 22Z	2
23	C224 2302	Image Shifting Arm - Large	1
24	C200 2266	Bearing Holder	2

Index No.	Part No.	Description	Q'ty Per Assembly
100	0713 0050B	Hexagon Nut - M5	
101	0701 0030Z	Flat Washer - M3	
102	0801 1135	Philips Pan Head Screw - M3x3	
103	0951 5008Z	Philips Screw With Flat Washer - M5x8	
104	0720 0040Z	Retaining Ring - M4	
105	0707 6120B	Bushing - 6x12mm	
106	0707 6080B	Bushing - 6x8mm	
107	0805 3104	Ball Bearing - 8x22x7mm	
108	0960 4008Z	Flange Head Screw - 4x8	
109	0720 0080Z	Retaining Ring - M8	
110	0807 7013	Spacer - 10.2x14x0.2mm	
111	0804 4046	Spring Pin - 4x16	
112	0594 0080E	Bolt - M4x8	
113	0804 4048	Spring Pin - 4x20	
114	0725 0100Z	Retaining Ring - M10	
115	0805 3134	Ball Bearing - 10x26x8mm	
116	0720 0120Z	Retaining Ring - M12	
117	0740 3010	Ball Bearing - 10x26x8mm	
118	0707 6040B	Bushing - 6x4mm	
119	0807 2071	Washer - 3.1x7x0.2mm	
120	0573 0050E	Hexagon Headless Set Screw - M3x5	
121	0313 0040Z	Philips Pan Head Screw - M3x4	

31. Drive Section 2 (C226)

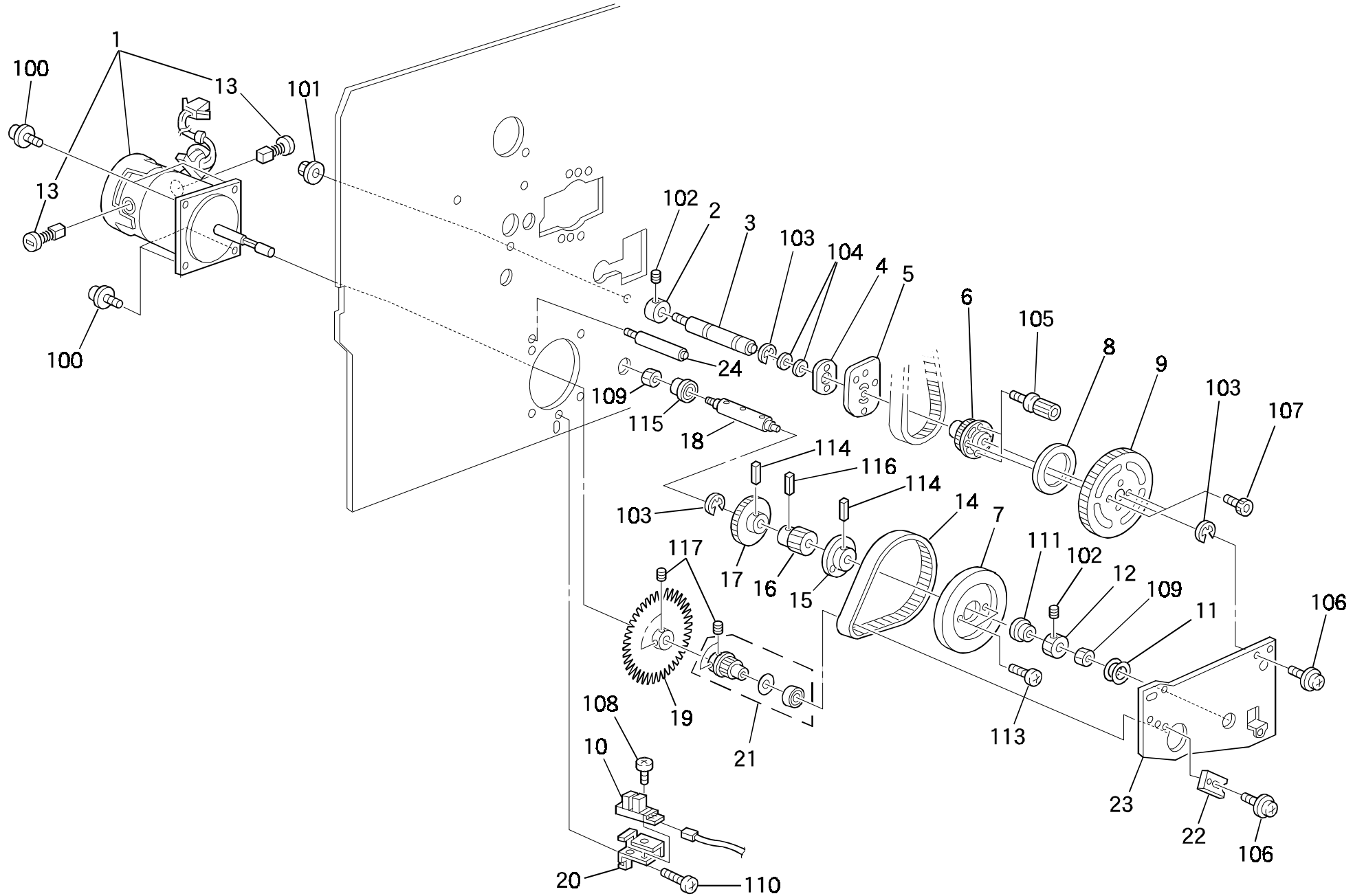


31. Drive Section 2 (C226)

Index No.	Part No.	Description	Q'ty Per Assembly
1	C215 4538	Slid Lock Arm	1
2	C201 4561	Drum Clamper Roller	2
3	C200 4551	Slide Guide	2
4	C207 4554	Solenoid Lever	2
5	C200 4561	Clamper Spring	2
6	C224 8450	Drum Clamper Solenoid	2
7	C224 2080	Solenoid Bracket	1
8	C215 8116	Ink Detecting Board	1
9	C200 4553	Slide Shaft	2
10	C219 8119	Drum Relay Harness	1
11	5403 2075	Stepped Screw	3
12	C215 4539	Connector Spring	2
13	C215 4537	Connector Lock Lever	1
14	C215 4535	Connector Bracket	1
15	C215 4517	Connector Lock Arm	1
16	C207 4555	Rubber Seal - 8x14x2	2
17	C215 4536	Ink Detecting Board Bracket	1
18	C201 5080	Separation Roller Pressure Spring	1
19	C224 8462	Drum Lock Solenoid	1
20	C209 4516	Slide Guide - Drive Shaft	1

Index No.	Part No.	Description	Q'ty Per Assembly
101	0314 0080Z	Philips Screw - 4x8	
102	0622 0060E	Spring Pin - 2x6mm	
103	0623 0120E	Spring Pin - M3x12	
104	0951 3005Z	Philips Pan Head Screw - M3x5	
105	0951 3006Z	Philips Screw With Flat Washer - M3x6	
106	0314 0100Z	Philips Screw - 4x10	
107	0313 0050Z	Philips Screw - 3x5	
108	0623 0140E	Spring Pin - 3x14mm	
109	0720 0050Z	Retaining Ring - M5	

32. Drive Section 3 (C226)

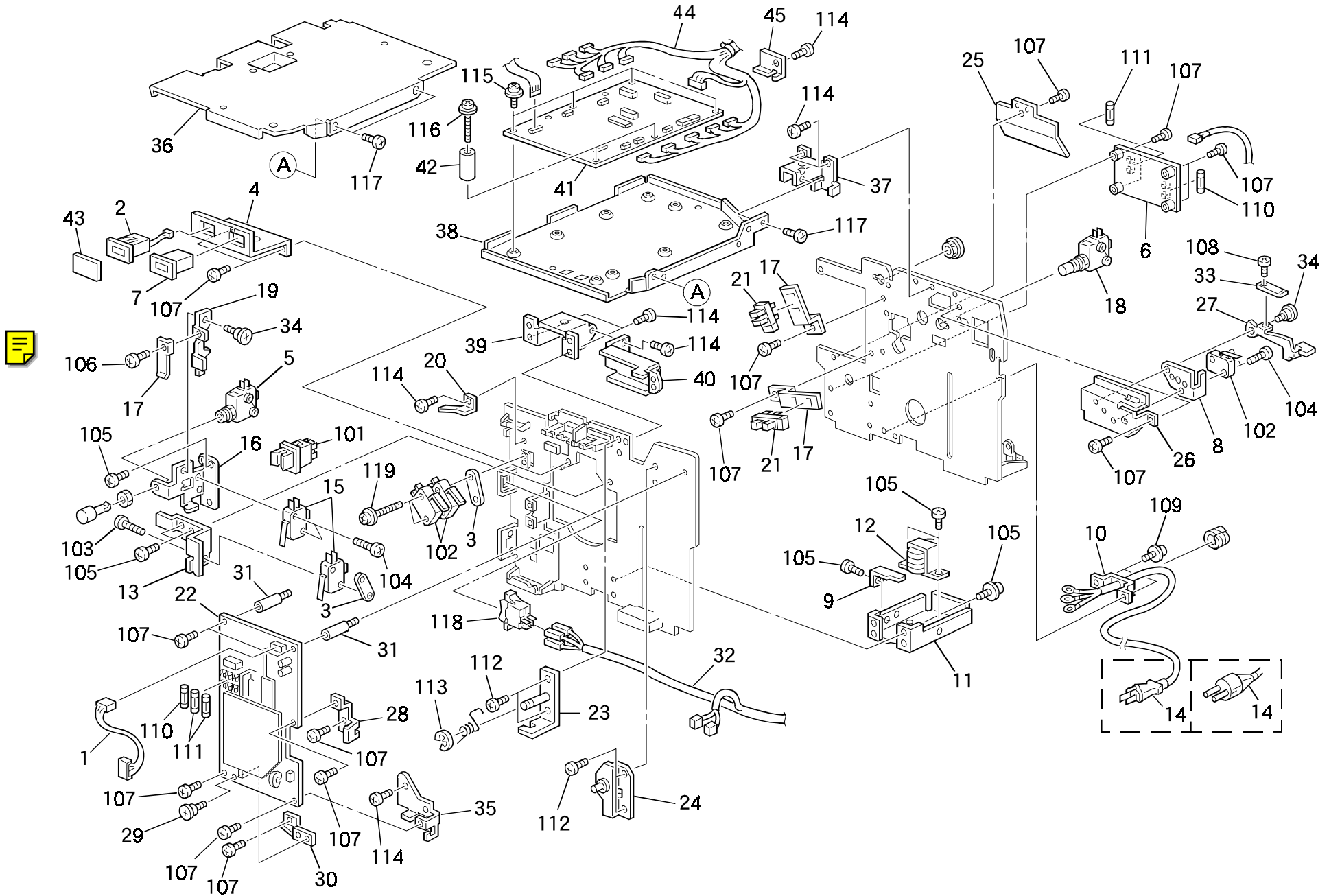


32. Drive Section 3 (C226)

Index No.	Part No.	Description	Q'ty Per Assembly
1	C207 8451	Main Motor - DC80W	1
2	C200 2221	Collar - Pressure Cam Shaft	1
3	C224 2225	Joint Cam Shaft	1
4	C200 2224	Plate Nut - Print Pressure Cam	1
5	C213 5560	Print Pressure Cam (B4 Model)	1
5	C211 5595	Print Pressure Cam (A4 Model)	1
6	C203 2312	Pulley	1
7	C207 2209	Pulley - 60Z	1
8	C203 2327	Pulley Flange	1
9	C224 2326	Gear - 90Z	1
10	AW02 0021	Photointerruptor - 175487-3	1
11	C200 2267	Spacer	1
12	C219 2217	Collar	1
13	C203 8453	Rectification Brush	2
14	C207 2210	Timing Belt - 100S4.5M297	1
15	C203 2311	Gear Flange	1
16	C203 2215	Gear - 18T	1
17	C219 2214	Gear - 40Z	1
18	C209 2216	Driver Shaft	1
19	C203 2309	Pulse Disk	1
20	C219 2205	Bracket - Drum Rotation Sensor	1
21	C207 2207	Pulley - 12Z	1
22	C207 2211	Bearing Stopper	1
23	C203 2306	Support Side Plate - Aid	1
24	C200 2232	Drive Shaft	1

Index No.	Part No.	Description	Q'ty Per Assembly
100	0960 4008Z	Flange Head Screw - 4x8	
101	0713 0050B	Hexagon Nut - M5	
102	0574 0040E	Hexagon Headless Set Screw - M4x4	
103	0720 0080Z	Retaining Ring - M8	
104	0807 7013	Spacer - 10.2 x 14 x 0.2 mm	
105	0804 6092	Hexagonal Set Screw	
106	0960 4008Z	Flange Head Screw - 4x8	
107	0595 0120E	Socket Screw - M5x12	
108	0314 0120Z	Philips Screw - 4x12	
109	0712 0060Z	Hexagon Nut - M6	
110	0314 0080Z	Philips Screw - 4x8	
111	0741 3908S	Ball Bearing - 8x19x6	
112	0314 0060Z	Philips Pan Head Screw - M4x6	
113	0315 0060Z	Philips Screw - 5x6	
114	0623 0200E	Spring Pin - 3x20mm	
115	0741 3807S	Ball Bearing - 7x14x5	
116	0804 4046	Spring Pin - 4x16	
117	0574 0050E	Hexagon Headless Set Screw - M4x5	

33. Electrical Section (C226)

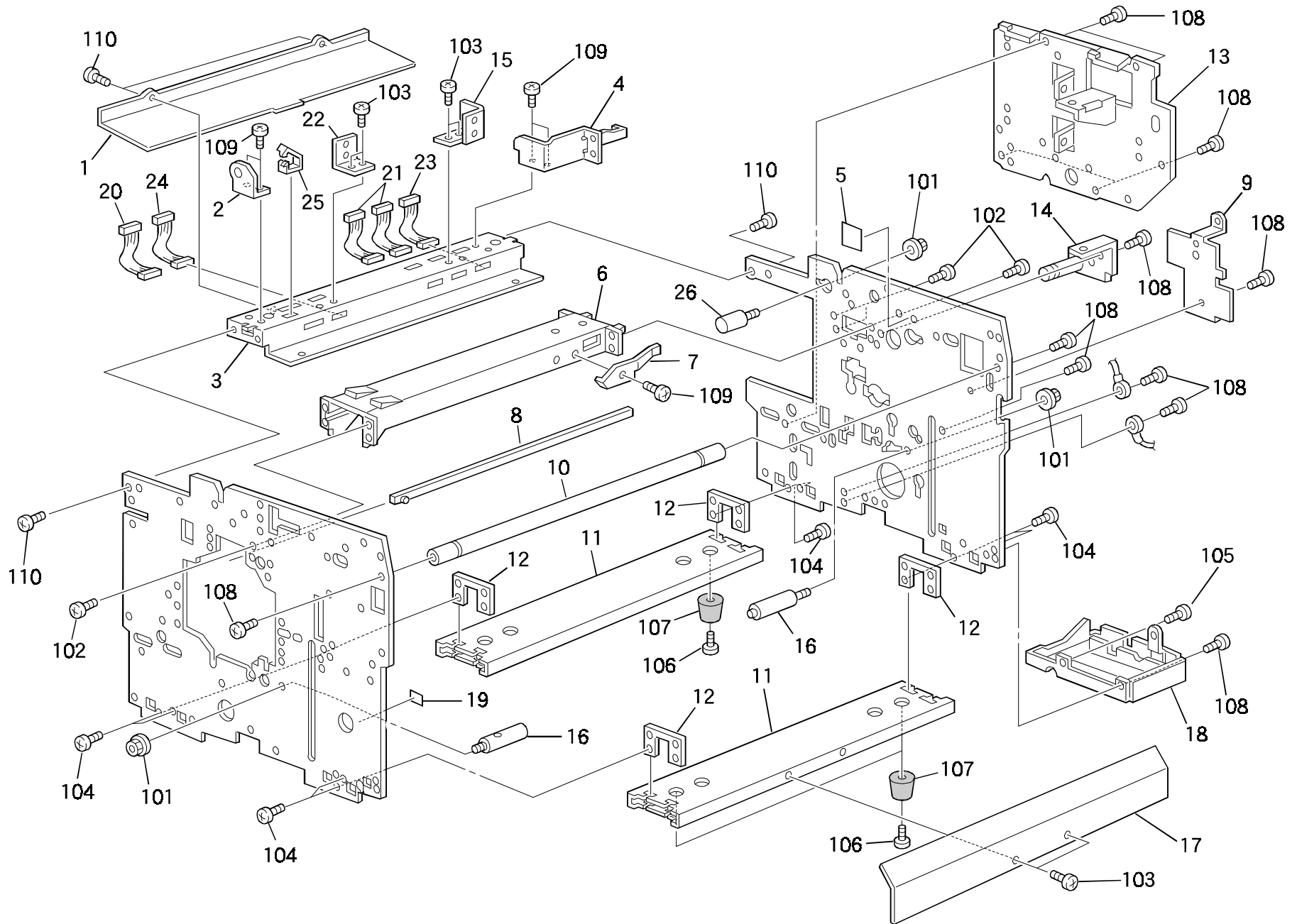


33. Electrical Section (C226)

Index No.	Part No.	Description	Q'ty Per Assembly
1	C226 8165	Relay Harness - Power Supply	1
2	C222 8461	Master Counter	1
3	5056 0509	Nut Plate - Microswitch	2
4	C224 2160	Total Counter Bracket	1
5	C219 8171	Microswitch	1
6	C226 8058	AC Drive Board	1
6	C226 8063	AC Drive Board - 230V	1
7	C222 8462	Total Counter	1
8	C218 2071	Safety Switch Stopper	1
9	C203 2131	Transformer Cover	1
10	C203 2119	Bracket - Power Supply Cord	1
11	C215 8116	Ink Detecting Board	1
11	C224 2018	Transformer Bracket	1
12	C224 8151	Transformer - 115V	1
12	C224 8156	Transformer - 230V	1
13	C201 4541	Bracket - Drum Detecting Switch	1
14	C226 8242	Power Supply Cord - 120V	1
14	C224 8252	Power Supply Cord - 230V	1
15	C219 8296	Safety Switch	2
16	C224 2551	Switch Bracket	1
17	C219 2306	Drum Sensor Bracket	2
18	C219 8174	Microswitch	1
19	C224 2172	Safety Switch Lever	1
20	C224 2051	Switch Cover	1
21	AW02 0021	Photointerruptor - 175487-3	2
22	C226 8301	Power Supply Unit - 115V	1
22	C226 8341	Power Supply Unit - 230V	1
23	C226 3031	Lower Stopper Bracket	1
24	C226 2031	Front Lock Bracket	1
25	C226 2127	AC Drive Board Cover	1
26	C226 2036	Safety Switch Bracket	1
27	C226 2172	Safety Switch Lever	1
28	C226 2412	Cover Bracket	1
29	C219 3950	Stepped Screw	1
30	C226 2103	PSU Bracket	1

Index No.	Part No.	Description	Q'ty Per Assembly
31	C226 2596	PSU Stud	2
32	C226 8110	AC Drive Harness - 115V	1
32	C226 8120	AC Drive Harness - 230V	1
33	C218 2173	Support Plate - Safety Switch	1
34	C218 2185	Stepper Screw	2
35	C226 2015	Right Lower Bracket - Power Supply	1
36	C226 2111	Main Board Cover	1
37	C226 2107	Rear Base Bracket	1
38	C226 2110	Main Board Base	1
39	C226 2106	Front Base Bracket	1
40	C226 2115	Front Harness Cover	1
41	C226 8042	Main Board	1
42	C226 2063	Stud	1
43	C226 2161	Key Counter Cover	1
44	C226 8102	DC Drive Harness	1
101	1204 2382	Interlock Switch - Fail-CA22	
102	1204 2376	Micro Switch - V-162-3C25	
103	0960 3016B	Philips Flange Screw - M3x16	
104	0313 0140Z	Philips Pan Head Screw - M3x14	
105	0801 1135	Philips Pan Head Screw - M3x3	
106	0434 0080Z	Pan Head Self-tapping Screw - M4x8	
107	0314 0080Z	Philips Screw - 4x8	
108	0313 0050Z	Philips Screw - 3x5	
109	0960 4008Z	Flange Head Screw - 4x8	
110	1107 0389	Fuse - 2.5A	
111	1107 0392	Fuse (glass Case) - 6.3A - 125V	
112	0951 3006B	Philips Screw With Flat Washer - M3x6	
113	0720 0040E	Retaining Ring - M4	
114	0314 0060Z	Philips Pan Head Screw - M4x6	
115	0951 4008Z	Philips Screw With Flat Washer M4x8	
116	0960 4010Z	Philips Flange Screw - M4x10	
117	0951 3006Z	Philips Screw With Flat Washer - M3x6	
118	1204 1545	Main Switch	
119	0951 3025Z	Philips Screw With Flat Washer - M3x25	

34. Frame 1 (C226)

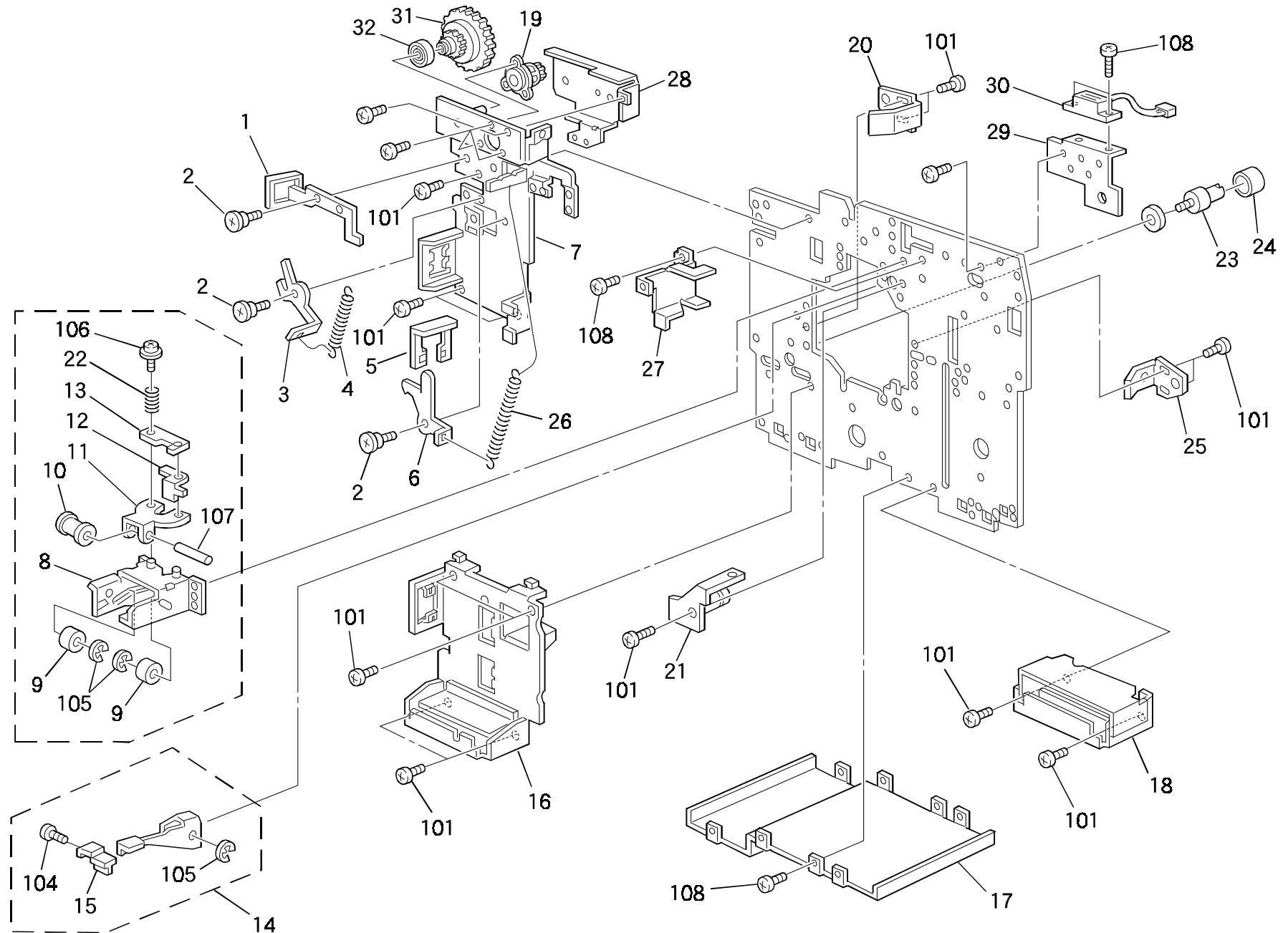


34. Frame 1 (C226)

Index No.	Part No.	Description	Q'ty Per Assembly
1	C226 2055	Stay Cover - Upper Left	1
2	C226 2044	Support Plate - Front Hinge	1
3	C226 2040	Upper Left Stay	1
4	C226 2041	Rear Hinge Bracket	1
5	C203 2759	Master Cutter Decal	1
6	C215 4502	Drum Rail Stay	1
7	C215 4528	Plate Spring - Drum Rail	1
8	C215 4515	Drum Lock Link	1
9	C226 2066	Rear Cover Bracket - Left Upper	1
10	C219 2050	Front Stay	1
11	C222 2072	Bottom Stay	2
12	C203 2096	Bottom Stay Nut	4
13	C226 2117	Right Grip - Paper Delivery	1
14	C219 2057	Right Fixing Plate	1
15	H521 3140	Bracket - Ground - 2	1
16	C200 2232	Drive Shaft	2
17	C226 6168	Paper Delivery Plate	1
18	C203 2107	Right Grip	1
19	C207 2005	Seal - 30	1
20	C226 8130	Relay Harness - Operation	1
21	C226 8131	Relay Harness - Scanner	2
22	H521 3139	Bracket - Ground - 1	1
23	C226 8134	Relay Harness - ADF Sensor 2	1
24	C226 8133	Relay Harness - ADF	1
25	H521 3171	Clamp - Flat Cable	1
26	C201 3004	Stopper Stud	1

Index No.	Part No.	Description	Q'ty Per Assembly
101	0713 0050B	Hexagon Nut - M5	
102	0434 0100Z	Pan Head Self-tapping Screw - M4x10	
103	0594 0080E	Bolt - M4x8	
104	0315 0120Z	Philips Screw - 5x12	
105	0801 1004	Screw - M4x4	
106	0951 5035Z	Philips Screw W/T Flat Washer - M3x35	
107	0805 6009	Rubber Foot	
108	0314 0080Z	Philips Screw - 4x8	
109	0434 0080Z	Pan Head Self-tapping Screw - M4x8	
110	0314 0060Z	Philips Pan Head Screw - M4x6	

35. Frame 2 (C226)



35. Frame 2 (C226)

Index No.	Part No.	Description	Q'ty Per Assembly
1	C224 3509	Upper Lever	1
2	C219 3950	Stepped Screw	3
3	C200 3954	Lower Lever	1
4	C200 3957	Lower Lever Spring	1
5	A030 1339	Plate Nut - Key Counter	1
6	C200 3953	Middle Lever	1
7	C226 2048	Left Side Plate	1
8	C219 4506	Stopper Base	1
9	C201 4604	Drum Rail Roller	2
10	C201 4532	Drum Stopper Roller	1
11	C201 4531	Drum Stopper Pawl	1
12	C215 4532	Locking Arm	1
13	C215 4533	Spring Plate	1
14	C215 4510	Drum Release Knob Ass'y	1
15	C215 4514	Drum Lock Knob	1
16	C224 2052	Left Grip - Paper Delivery	1
17	C224 2094	Bottom Cover	1
18	C224 2112	Left Grip - Paper Feed	1
19	H521 3116	Oil Damper	1
20	C224 4520	Drum Lock Pin (B4 Model)	1
20	C211 4520	Left Lock Pin - Drum(A4 Model)	1
21	C219 2053	Left Fixing Plate	1
22	C201 4533	Drum Stopper Spring	1
23	C200 3716	Cushion Shaft	1
24	5501 4719	Rubber Ring - Stopper	1
25	C224 4520	Drum Lock Pin (B4 Model)	1
25	C211 4523	Drum Lock Pin (A4 Model)	1
26	C200 3956	Middle Lever Spring	1
27	C226 2057	Cover Bracket - Front Right	1
28	C226 2056	Gear Bracket	1
29	C226 2064	Sensor Bracket	1
30	C226 8411	Positioning Sensor	1
31	H521 3117	Gear - Oil Damper	1
32	H521 3118	Collar - Oil Damper	1

Index No.	Part No.	Description	Q'ty Per Assembly
101	0314 0080Z	Philips Screw - 4x8	
102	0434 0100Z	Pan Head Self-tapping Screw - M4x10	
103	0951 5035Z	Philips Screw W/T Flat Washer - M3x35	
104	0801 1135	Philips Pan Head Screw - M3x3	
105	0720 0050Z	Retaining Ring - M5	
106	0951 3006Z	Philips Screw With Flat Washer - M3	
107	0622 0250E	Spring Pin M2x250	
108	0584 0061W	Hexagon Bolt - M4x6	

36. Main Control Board (C226)

BUZZER

SYMBOL NO.	INDEX NO.
BZ101	154

CAPACITOR

SYMBOL NO.	INDEX NO.
C101	168
C102	238
C103	232
C104	170
C105	167
C106	237
C107	231
C108	231
C109	232
C110	231

SYMBOL NO.	INDEX NO.
C111	229
C112	229
C113	229
C114	230
C115	230
C116	229
C117	167
C118	169
C119	166
C120	166

SYMBOL NO.	INDEX NO.
C121	166
C122	169
C123	238
C124	238
C125	233
C126	238
C127	238
C128	233
C129	238
C130	238

SYMBOL NO.	INDEX NO.
C131	233
C132	238
C133	238
C134	238
C135	238
C136	238
C137	238
C138	168
C139	238
C140	238

SYMBOL NO.	INDEX NO.
C141	236
C142	238
C143	238
C144	238
C145	238
C146	238
C147	238
C148	238
C149	238
C150	238

SYMBOL NO.	INDEX NO.
C151	238
C152	238
C153	238
C154	238
C155	238
C156	238
C157	238
C158	238
C159	235
C160	235

CAPACITOR

SYMBOL NO.	INDEX NO.
C161	238
C162	238
C163	238
C164	238
C165	238
C166	238
C167	238
C168	238
C169	171
C170	238

SYMBOL NO.	INDEX NO.
C171	237
C172	237
C173	238
C174	237
C175	237
C176	238
C177	238
C178	238
C179	238
C180	238

SYMBOL NO.	INDEX NO.
C181	238
C182	165
C183	238
C184	234
C185	234
C186	237
C187	238
C188	237
C189	238
C190	238

SYMBOL NO.	INDEX NO.
C191	238
C192	238
C193	237
C194	238
C195	238
C196	238
C197	238
C198	238
C199	238
C200	238

SYMBOL NO.	INDEX NO.
C201	238
C202	167
C203	238
C204	233
C205	233
C206	233
C207	233
C208	238
C209	233
C210	233

SYMBOL NO.	INDEX NO.
C211	233
C212	233
C213	233
C214	233
C215	233
C216	233
C217	233
C218	233
C219	233
C220	233

SYMBOL NO.	INDEX NO.
C221	233
C222	238
C223	232

36. Main Control Board (C226)

CONNECTOR

SYMBOL NO.	INDEX NO.
CN101	114
CN102	112
CN103	113
CN104	104
CN105	----
CN106	105
CN107	103
CN108	106
CN109	115
CN110	109

SYMBOL NO.	INDEX NO.
CN111	112
CN112	110
CN113	108
CN114	102
CN115	107

DIODE

SYMBOL NO.	INDEX NO.
D101	123
D102	123
D103	123
D104	123
D105	123
D106	124
D107	124
D108	124
D109	124
D110	123

SYMBOL NO.	INDEX NO.
D111	123
D112	124
D113	124
D114	124
D115	124
D116	123
D117	123
D118	123

DPS

SYMBOL NO.	INDEX NO.
DPS101	118

FIB

SYMBOL NO.	INDEX NO.
FIB101	173
FIB102	173
FIB103	173
FIB104	173
FIB105	173
FIB106	173
FIB107	173
FIB108	173
FIB109	173
FIB110	173

SYMBOL NO.	INDEX NO.
FIB111	173
FIB112	173
FIB113	173

IC

SYMBOL NO.	INDEX NO.
IC101	153
IC102	3
IC103	127
IC104	130
IC105	127
IC106	239
IC107	139
IC108	127
IC109	133
IC110	137

SYMBOL NO.	INDEX NO.
IC111	127
IC112	126
IC113	141
IC114	2
IC115	1
IC116	152
IC117	127
IC118	135
IC119	145
IC120	146

SYMBOL NO.	INDEX NO.
IC121	134
IC122	144
IC123	131
IC124	145
IC125	140
IC126	150
IC127	129
IC128	129
IC129	145
IC130	149

SYMBOL NO.	INDEX NO.
IC131	117
IC132	132
IC133	136
IC134	136
IC135	136
IC136	116
IC137	132
IC138	120
IC139	120
IC140	----

SYMBOL NO.	INDEX NO.
IC141	143
IC142	121
IC143	151
IC144	151
IC145	151
IC146	134
IC147	147
IC148	148
IC149	147
IC150	137

SYMBOL NO.	INDEX NO.
IC151	138
IC152	138

L

SYMBOL NO.	INDEX NO.
L101	172

LED

SYMBOL NO.	INDEX NO.
LED101	125
LED102	125
LED103	125
LED104	125
LED105	125

OSC

SYMBOL NO.	INDEX NO.
OSC101	4
OSC102	155

Q

SYMBOL NO.	INDEX NO.
Q101	119

RAY

SYMBOL NO.	INDEX NO.
RAY101	161
RAY102	156
RAY103	161
RAY104	161
RAY105	157
RAY106	157
RAY107	156
RAY108	161
RAY109	157
RAY110	159

SYMBOL NO.	INDEX NO.
RAY111	159
RAY112	159
RAY113	159
RAY114	159
RAY115	----
RAY116	161
RAY117	160
RAY118	158
RAY119	159
RAY120	159

SYMBOL NO.	INDEX NO.
RAY121	159
RAY122	159
RAY123	159
RAY124	158
RAY125	161

RESISTOR

SYMBOL NO.	INDEX NO.
R101	222
R102	181
R103	204
R104	204
R105	204
R106	197
R107	174
R108	192
R109	196
R110	215

RESISTOR

SYMBOL NO.	INDEX NO.
R111	187
R112	226
R113	208
R114	193
R115	180
R116	209
R117	178
R118	176
R119	176
R120	175

SYMBOL NO.	INDEX NO.
R121	198
R122	204
R123	198
R124	198
R125	198
R126	198
R127	189
R128	212
R129	190
R130	179

SYMBOL NO.	INDEX NO.
R131	183
R132	212
R133	201
R134	195
R135	212
R136	211
R137	200
R138	182
R139	204
R140	216

SYMBOL NO.	INDEX NO.
R141	186
R142	213
R143	198
R144	198
R145	213
R146	198
R147	213
R148	186
R149	186
R150	216

SYMBOL NO.	INDEX NO.
R151	216
R152	180
R153	204
R154	210
R155	179
R156	179
R157	180
R158	208
R159	208
R160	180

SYMBOL NO.	INDEX NO.
R161	188
R162	194
R163	180
R164	205
R165	221
R166	220
R167	217
R168	224
R169	191
R170	191

SYMBOL NO.	INDEX NO.
R171	191
R172	228
R173	219
R174	204
R175	204
R176	204
R177	204
R178	204
R179	179
R180	179

36. Main Control Board (C226)

RESISTOR

SYMBOL NO.	INDEX NO.
R181	179
R182	204
R183	179
R184	208
R185	208
R186	204
R187	204
R188	196
R189	198
R190	192

SYMBOL NO.	INDEX NO.
R191	185
R192	179
R193	201
R194	207
R195	184
R196	204
R197	203
R198	179
R199	204
R200	204

SYMBOL NO.	INDEX NO.
R201	204
R202	179
R203	222
R204	223
R205	179
R206	204
R207	204
R208	204
R209	204
R210	204

SYMBOL NO.	INDEX NO.
R211	204
R212	207
R213	207
R214	178
R215	222
R216	227
R217	222
R218	218
R219	225
R220	204

SYMBOL NO.	INDEX NO.
R221	204
R222	204
R223	199
R224	202
R225	202
R226	203
R227	203
R228	179
R229	204
R230	204

SYMBOL NO.	INDEX NO.
R231	180
R232	177
R233	202
R234	202
R235	202

TP

SYMBOL NO.	INDEX NO.
TP101	101
TP102	101
TP103	101
TP104	101
TP105	101
TP106	101
TP107	101
TP108	101
TP109	101
TP110	101

VR

SYMBOL NO.	INDEX NO.
VR101	162
VR102	163
VR103	163
VR104	164

ZD

SYMBOL NO.	INDEX NO.
ZD101	122

36. Main Control Board (C226)

Index No.	Part No.	Description	Q'ty Per Assembly
*	C226 8042	Main Board	1
1	C222 8030	IC - UPD65622GF-203-3B9	1
2	C226 8007	IC - LZ9GH12	1
3	C226 8008	IC - LC821031	1
4	C226 8009	Oscillator - HC-49/U-S 13.1 Mhz	1

Index No.	Part No.	Description	Q'ty Per Assembly
101	1101 0328	Connector Pin Contact	
102	1102 0907	Connector - 6p	
103	1102 4210	Connector - 11p	
104	1102 4212	Ct Header - 15p	
105	1102 4497	Connector - 13p	
106	1102 4512	Connector - 28p	
107	1102 4623	Ct Connector - 6p	
108	1102 4635	Connector - 6p	
109	1102 5009	Connector - 26p	
110	1102 5411	Connector - 24p	
111	1102 5413	Connector - 28p	
112	1102 5414	Connector - 30p	
113	1102 5420	Connector - 30p	
114	1102 6595	Connector - 11p	
115	1102 7031	Connector - SIEM11S-2	
116	1104 0378	IC Socket - 24P - DICF-24CS-E	
117	1104 0473	32p - IC Socket	
118	1204 1015	Dip Switch	
119	1400 0429	Transistor - Npn Tr:2SC3070	
120	1401 0400	Transistor Array - SLA4060	
121	1401 0977	Transistor - LB1213M	
122	1402 0694	Zener Diode - 02CZ2.7	
123	1402 0804	Silicon Diode - 45V - 0.3A	
124	1402 1263	Diode - 200v - 1A	
125	1403 0669	Red LED - SLM-13VW	
126	1407 1598	TTLIC - SN74LS125ANS	
127	1407 1600	TTLIC - SN74LS244NS	
128	1407 1813	IC - SN74LS11NS	
129	1407 1882	TTLIC - SN74LS373NS	
130	1407 1984	IC - SH74LS123NS	
131	1407 2058	IC - 82C54FP-6	
132	1407 2077	TTLIC - SN74LS138NS	
133	1407 2182	IC SN74HC244NS	
134	1407 2187	TTLIC - SN74LS07NS	
135	1407 2218	TTLIC - SN74LS06NS	

36. Main Control Board (C226)

Index No.	Part No.	Description	Q'ty Per Assembly
136	1407 2231	IC - TD62308AF	
137	1407 2261	IC - NJM2902M	
138	1407 2273	IC - TA8050P	
139	1407 2339	TTLIC - SN74LS241NS	
140	1407 2348	IC - TC4051BF	
141	1407 3281	IC - TC74HCU04AF	
142	1407 4286	IC - MK48Z52B - 15	
143	1407 4401	LSI-TE6250A	
144	1407 4462	IC - UPD78217AGC-AB8	
145	1407 4612	IC - CY7C167A-35VC	
146	1408 0565	IC - UPC311G	
147	1408 0569	IC - NJM78M05FA	
148	1408 0571	IC - NJM79M05F-A	
149	1408 0595	IC - NJM2904M	
150	1408 0611	IC - 3771	
151	1408 1050	IC - STK6712BMK4	
152	1408 1104	IC - MB2803PF-G	
153	1408 1134	Operational Amplifier - AD817AN	
154	1502 0052	Buzzer - MEB-12C-5	
155	1503 0071	Oscillator - 12Mhz	
156	1601 1413	Resistor - RCB8C330J	
157	1601 7751	Resistor - 4.7K Ω \pm 5%	
158	1601 7752	Resistor Array - 10K Ω \pm 5%	
159	1601 7758	Resistor - 4.7K Ω	
160	1601 7791	Resistor Array - 1K Ω \pm 5%	
161	1601 7796	Resistor Array - 2.2K Ω \pm 5%	
162	1601 8145	Variable Resistor - 5K Ω 0.5W	
163	1601 8157	Variable Resistor - 100K Ω	
164	1601 8186	Variable Resistor - 200K Ω	
165	1604 2089	Capacitor - 1.0 μ F 1/8W \pm 20%	
166	1605 0237	Capacitor - 0.033 μ F 25V	
167	1605 0599	Capacitor - 0.1 μ F \pm 10%	
168	1605 0744	Capacitor - EMK212F105Z	
169	1605 0780	Capacitor - 0.022 μ F \pm 5% 25V	

Index No.	Part No.	Description	Q'ty Per Assembly
170	1606 1983	Capacitor - 0.015 μ F \pm 5% 50V	
171	1606 2028	Capacitor - 0.22 μ F \pm 5%	
172	1607 0001	Coil - SN-8S-500	
173	1607 0477	Coil - BLM21A121SPB	
174	1611 6361	Resistor - 360 Ω 1/8T \pm 5%	
175	1611 6470	Resistor - 47 Ω 1/2T \pm 5%	
176	1630 1101	Resistor - 100 Ω 1/4W \pm 5%	
177	1630 2201	Resistor - 200 Ω \pm 5% 1/8W	
178	1630 2220	Resistor - 22 Ω 1/8W \pm 5%	
179	1630 3102	Resistor - 1K Ω 1/10W \pm 5%	
180	1630 3103	Resistor - 10K Ω 1/10W \pm 5%	
181	1630 3105	Resistor - 1M Ω \pm 5% 1/10W	
182	1630 3111	Resistor - 100 Ω \pm 5% 1/10W	
183	1630 3121	Resistor - 120 Ω \pm 5% 1/10W	
184	1630 3124	Resistor - 120 Ω \pm 5% 1/10W	
185	1630 3133	Resistor - 13K Ω \pm 5% 1/10W	
186	1630 3151	Resistor - 150 Ω \pm 5% 1/10W	
187	1630 3154	Resistor - 150K Ω \pm 5% 1/10W	
188	1630 3203	Resistor - 20 Ω \pm 5% 1/10W	
189	1630 3221	Resistor - 220 Ω \pm 5% 1/10W	
190	1630 3222	Resistor - 2.2K Ω 1/10W \pm 5%	
191	1630 3223	Resistor - 22k Ω - 1/10W	
192	1630 3242	Resistor - 2.4K Ω \pm 5% 1/10W	
193	1630 3243	Resistor - 24K Ω \pm 5% 1/10W	
194	1630 3244	Resistor - 240K Ω \pm 5% 1/10W	
195	1630 3271	Resistor - 270 Ω \pm 5% 1/10W	
196	1630 3302	Resistor - 3k Ω - 1/10W	
197	1630 3303	Resistor - 30K Ω \pm 5% 1/10W	
198	1630 3332	Resistor - 3.3K Ω 1/10W \pm 5%	
199	1630 3333	Resistor - 33K Ω \pm 5% 1/10W	
200	1630 3361	Resistor - 360 Ω \pm 5% 1/10W	
201	1630 3391	Resistor - 390 Ω 1/10W \pm 5%	
202	1630 3470	Resistor - 47 Ω 1/10W \pm 5%	

36. Main Control Board (C226)

Index No.	Part No.	Description	Q'ty Per Assembly
203	1630 3471	Resistor - 470Ω - 1/10W	
204	1630 3472	Resistor - 4.7KΩ 1/10W ±5%	
205	1630 3473	Resistor - 47KΩ 1/10W ±5%	
206	1630 3474	Resistor - 470K Ω ±5% 1/10W	
207	1630 3511	Resistor - 510 Ω ±5% 1/10W	
208	1630 3513	Resistor - 51KΩ ±5% 1/10W	
209	1630 3514	Resistor - 510K Ω ±5% 1/10W	
210	1630 3562	Resistor - 5.6K Ω +5% 1/10W	
211	1630 3681	Resistor - 680 Ω ±5% 1/10W	
212	1630 3682	Resistor - 6.8kΩ - 1/10W	
213	1630 3683	Resistor - 68KΩ ±5% 1/10W	
214	1630 3750	Resistor 75 Ω ±5% 1/10w	
215	1630 3823	Resistor - 82K Ω ±5% 1/10W	
216	1630 3824	Resistor - 820KΩ ±5% 1/10W	
217	1633 3601	Resistor - 3.6KΩ ±5% 1/10W	
218	1633 3741	Resistor - 3.7K Ω ±5% 1/10W	
219	1633 3901	Resistor - 3.9 Ω ±1% 1/10W	
220	1633 4121	Resistor - 4.12KΩ ±1%	
221	1633 4991	Resistor - 4.99KΩ ±1%	
222	1633 5100	Resistor - 510 Ω ±1%1/10W	
223	1633 6040	Resistor - 604 Ω ±5% 1/10W	
224	1633 6041	Resistor - 6.04KΩ ±1%	
225	1633 7500	Resistor - 750 Ω ±5% 1/10W	
226	1633 7501	Resistor - 7.5K Ω ±5% 1/10W	
227	1633 8870	Resistor - 887 Ω ±5% 1/10W	
228	1633 9101	Resistor - 9.1K Ω 1/10W	
229	1640 1101	Capacitor - 100μF - ±20% 16V	
230	1640 2470	Capacitor - 47μF ±20% 25V	
231	1640 3101	Capacitor - 100μF ±20% 35V	
232	1640 5100	Capacitor - 10μF +20% 35V	
233	1660 2151	Capacitor - 150PF ±20% 35V	
234	1660 2220	Capacitor - 22PF ±20% 35V	
235	1660 2270	Capacitor - 27PF ±20% 35V	

Index No.	Part No.	Description	Q'ty Per Assembly
236	1660 2471	Capacitor - 470pf - ±5% - 50V	
237	1660 3102	Capacitor - 1000PF ±5% 50V	
238	1660 5103	Capacitor - 10000PF ±10% 50V	
239	1902 0002	IC - 64K X8 70NS G1	
240	C226 8045	EPROM - 1M X 8 150NS	

37. DC Drive Board (C226)

AR

SYMBOL NO.	INDEX NO.
AR301	127

CAPACITOR

SYMBOL NO.	INDEX NO.
C301	135
C302	135
C303	136
C304	134
C305	133
C306	140

CONNECTOR

SYMBOL NO.	INDEX NO.
CN301	106
CN302	107
CN303	105
CN304	109
CN305	110
CN306	108

CR

SYMBOL NO.	INDEX NO.
CR301	132
CR302	132
CR303	132
CR304	132

DIODE

SYMBOL NO.	INDEX NO.
D301	124
D302	124
D303	124
D304	121
D305	124
D306	121
D307	121
D308	121
D309	121

DB

SYMBOL NO.	INDEX NO.
DB301	123

FUSE

SYMBOL NO.	INDEX NO.
FU301	115
HOLDER	111
FU302	114
HOLDER	111

JP

SYMBOL NO.	INDEX NO.
JP304	102
JP305	102
JP306	102
JP313	102
JP314	102
JP315	102
JP316	102
JP317	102
JP318	102
JP319	102

JP

SYMBOL NO.	INDEX NO.
JP320	102
JP321	102
JP322	102
JP323	102
JP325	102
JP326	102
JP327	102
JP328	102
JP329	102
JP330	102

SYMBOL NO.	INDEX NO.
JP331	102
JP332	102
JP333	102
JP334	102
JP335	102
JP336	102
JP338	102
JP339	102

IC

SYMBOL NO.	INDEX NO.
IC301	129

L

SYMBOL NO.	INDEX NO.
L301	1
L302	102

PC

SYMBOL NO.	INDEX NO.
PC301	125

Q

SYMBOL NO.	INDEX NO.
Q301	101
Q301	103
Q301	104
Q301	119
Q302	120

RESISTOR

SYMBOL NO.	INDEX NO.
R301	139
R302	138
R303	137
R304	130
R305	131

RERAY

SYMBOL NO.	INDEX NO.
RA301	117
RA302	117
RA303	118
RA304	116

Z

SYMBOL NO.	INDEX NO.
Z301	128

ZD

SYMBOL NO.	INDEX NO.
ZD301	122

ZNR


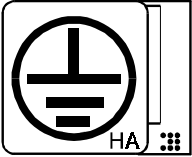
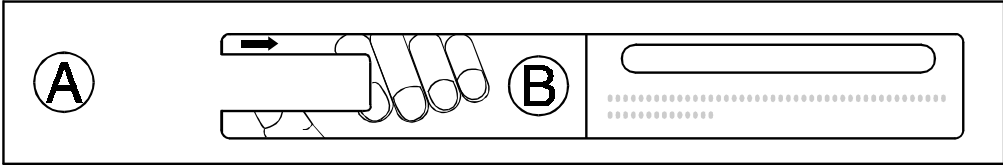
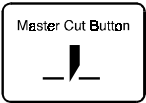
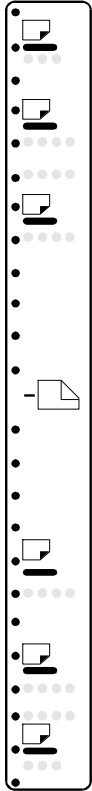
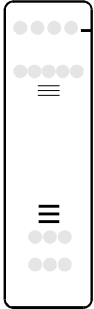
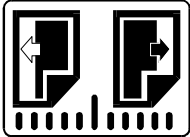
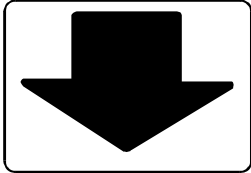
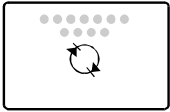
SYMBOL NO.	INDEX NO.
ZNR301	126

37. DC Drive Board (C226)

Index No.	Part No.	Description	Q'ty Per Assembly
*	C226 8058	AC Drive Board (115V)	1
*	C226 8063	AC Drive Board - 230V	1
1	C213 8319	Choke - SC-08-30J-C	1
101	0950 3010B	Philips Screw With Spring Was	
102	1002 0307	Jumper Wire	
103	1004 0126	Insulating Sheet - 19x24	
104	1005 0820	Heat Sink - T220n(31)	
105	1102 0913	Connector - 9p	
106	1102 4201	Connector - 2p	
107	1102 4206	Connector - 7p	
108	1102 6612	Connector - 2p	
109	1102 7282	Connector - 4p	
110	1102 7283	Connector - 3p	
111	1104 0351	Fuse Holder (115V)	
111	1106 0793	Fuse Holder Cover	
112	1106 0302	One Touch Bushing - NB410	

Index No.	Part No.	Description	Q'ty Per Assembly
113	1106 0303	One Touch Bushing - NB400	
114	1107 0389	Fuse - 2.5A (115V)	
114	1107 0749	Fuse - 2.5A (230V)	
115	1107 0392	Fuse (glass Case) - 6.3A - 12	
115	1107 0751	Fuse - 4A 250V	
116	1208 1263	Relay - G2r-2a-tu - AC100V	
117	1208 1353	Relay - AC250V 10A	
118	1208 1354	Relay - AC250V 5A (115V)	
118	1208 1041	Relay - G2R-2-TU - DC24V (230V)	
119	1401 0289	Transistor - 2SC2749	
120	1401 0366	Transistor - 2SD799	
121	1402 0110	Silicon Diode - 200V - 1.7a(r	
122	1402 0426	Zener Diode - RD12FB2	
123	1402 0646	Diode - S5VB20	
124	1402 0959	Silicon Diode - 1S2076A	
125	1403 0519	Photocoupler - TLP621	
126	1404 0126	Serge Absorber (115V)	
126	1404 0247	Varistor - 470V - 0.4W (230V)	
127	1404 0318	Lightning Arrester - 3KV/1KA-	
127	1404 0275	Lightning Arrester - 3600V - 1000A	
128	1404 0335	Varistor - NV220D20	
129	1408 0827	IC - TA8429H	
130	1600 1522	Resistor - 6.8K Ω 7W \pm 10%	
131	1600 1523	Resistor - 1 Ω 10W \pm 10%	
132	1602 1501	Resistor - 120 Ω 0.1 μ F	
133	1604 1534	Capacitor - 100 μ F 200V	
134	1604 2359	Capacitor - 100 μ F Dc50v \pm 20%	
135	1605 0794	Capacitor - 3300PF \pm 20% 400V	
136	1606 1861	Capacitor - 0.1 μ F \pm 10% 250V	
137	1611 4511	Resistor - 510 Ω 1/4T \pm 5%	
138	1611 4911	Resistor - 910 Ω 1/4T 5%	
139	1611 6474	Resistor - 470K Ω 1/2W	
140	1640 5100	Capacitor - 10 μ F +20% 35V	
141	1640 5470	Capacitor - 47 μ F +20%	

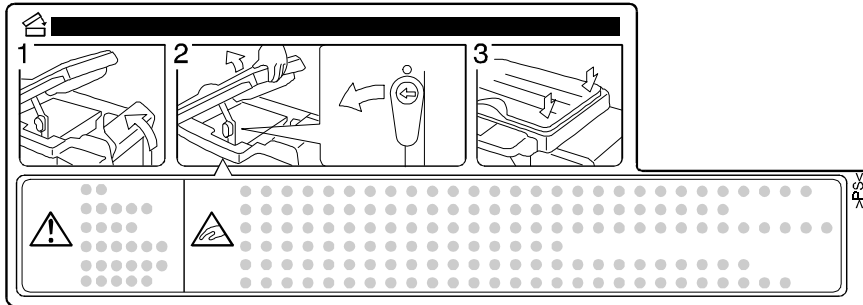
38. Decal And Document (C226)

<p>1</p> 	<p>2</p> 	<p>3</p> 		
<p>4</p> <div data-bbox="226 601 497 1273" style="border: 1px solid black; padding: 10px;"> <p style="text-align: center;">Paper Separator</p> <div style="border: 1px solid black; padding: 5px; text-align: center; margin: 5px 0;">Thick paper</div> <p style="text-align: center;">Set bitgh levers to same position</p> <div style="border: 1px solid black; padding: 5px; text-align: center; margin: 5px 0;">Standard</div> </div>	<p>5</p> 	<p>8</p> <div data-bbox="1037 649 1361 761" style="border: 1px solid black; padding: 5px; text-align: center;"> Push to open the master eject unit </div>	<p>10</p> 	<p>11</p> 
<p>6</p> 	<p>9</p> 	<p>12</p> 		

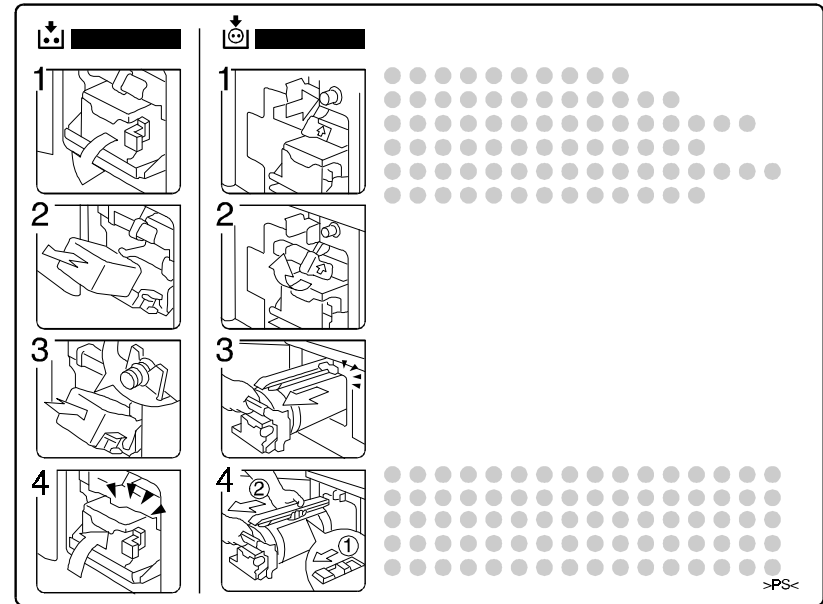
13



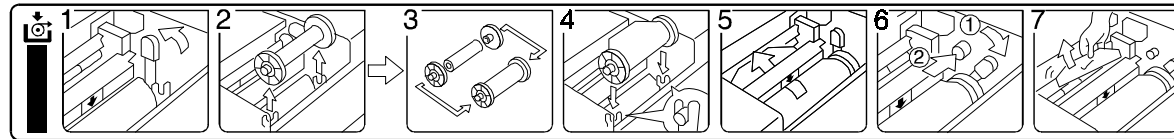
14



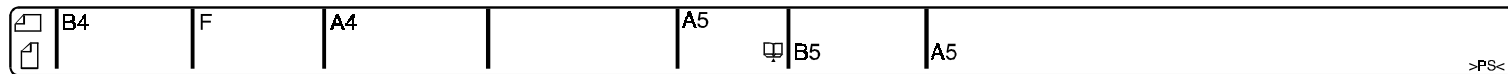
15



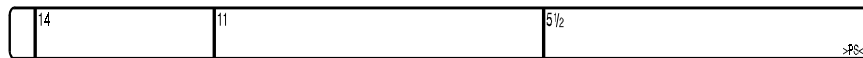
16



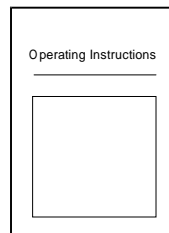
17



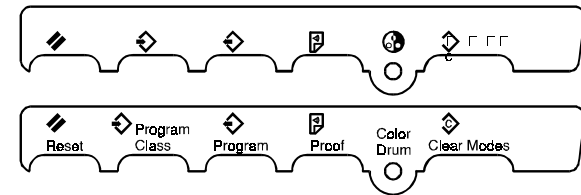
18



19



20

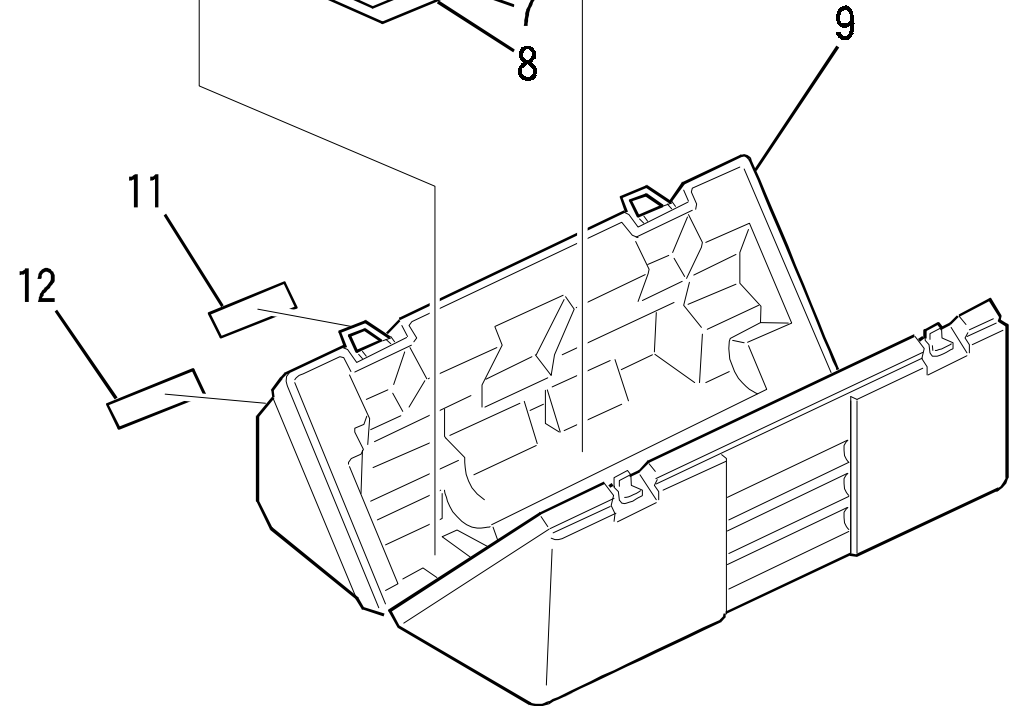
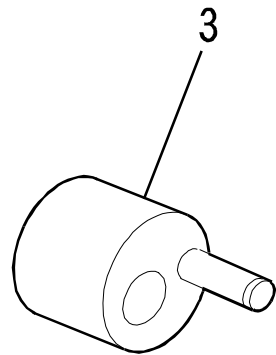
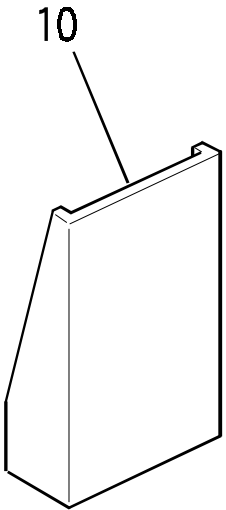
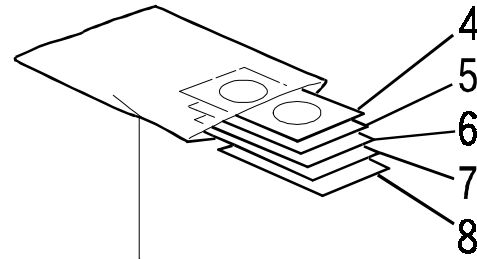
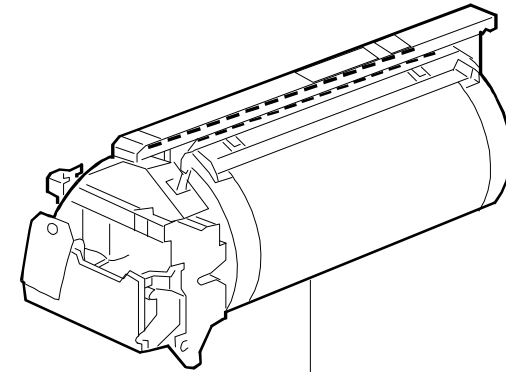
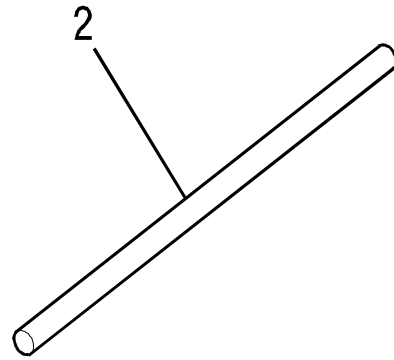
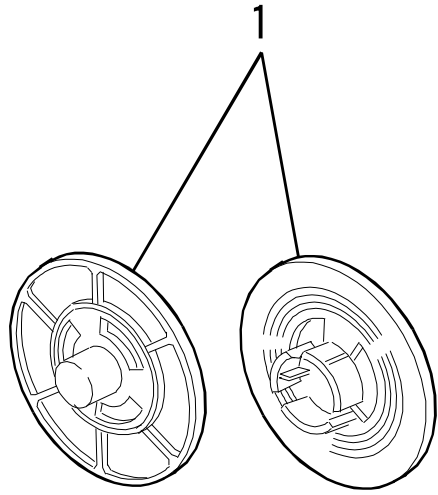


38. Decal And Document (C226)

Index No.	Part No.	Description	Q'ty Per Assembly
1	A153 6409	Decal - Keypop Cover	1
1	C225 2866	Decal - Key Top Cover	1
1	C225 2867	Decal - Cover - Panel - Nashua	1
2	AA00 1190	Decal - Ground	1
3	C201 2543	Decal - Drum Caution	1
4	C203 2728	Decal - Paper Separator	1
5	C203 2759	Master Cutter Decal	1
6	C213 2453	Decal - Paper Feed Table	1
7	C213 2454	Decal - Paper Feed Knob	1
8	C218 2825	Decal - Master Eject Open	1
9	C218 2827	Decal - Master Feed	1
10	C224 2716	Decal - Paper Size - LT	1
10	C224 2718	Decal - Paper Size - A4	1
11	C224 2737	Decal - Paper Feed	1
12	C224 2742	Decal - Drum Operation	1
13	C224 2766	Decal - Counter	1
14	C226 2736	Decal - Caution	1
15	C226 2751	Decal - Ink Supply	1
16	C226 2842	Decal - Master Setting	1
17	C226 3305	Decal - Front Original Set	1
18	C226 3306	Decal - Rear Original Set	1
19	C226 8607	Operating Instructions - LT	1
19	C226 8650	Operating Instructions - English LT	1
19	C226 8690	Operating Instructions - English A4	1
19	C226 8698	Operating Instructions - Eng Asia	1
20	C226 2984	Sheet - Operation C (A4)	1
20	C226 2974	Sheet Operation C (LT)	1

Index No.	Part No.	Description	Q'ty Per Assembly

39. Accessories And Special Tools (C226)



39. Accessories And Special Tools (C226)

Index No.	Part No.	Description	Q'ty Per Assembly
1	C213 4042	Master Roll Flange	2
2	C200 9001	Drum Guage	1
3	C200 9002	Image Shifting Guage	1
4	C526 2259	Drum Decal - Blank	1
5	C526 2251	Drum Decal - Red	1
6	C526 2252	Drum Decal - Blue	1
7	C526 2253	Drum Decal - Green	1
8	C526 2254	Drum Decal - Brown	1
9	C526 2200	Option Drum Case	1
10	C223 6183	End Plate	1
11	C526 2210	Decal - Drum Case (RIC)	1
11	C533 2173	Decal - Drum Case (NRG)	1
11	C556 2120	Decal - Drum Case (AB-Dick)	1
12	C558 2131	Decal - Model Name (RIC)	1
12	C558 2175	Decal - Model Name (NRG)	1
12	C558 2181	Decal - Model Name (AB-Dick)	1

Index No.	Part No.	Description	Q'ty Per Assembly
101	0413 0052Z	Tapping Screw - M3x5	
102	0433 0082Z	Tapping Screw - M3x8	
103	0323 0060Z	Philips Sunk Screw - M3x6	

PARTS INDEX

PM Parts Index

Section Name	Part No.	Description in Service Manual	Description in Parts Catalog	Q'ty Per Assembly	Page and Index No
ADF Unit 1 (C226)	H521 1366	Pickup Roller	ADF Pickup Roller	1	13- 23
	H521 1367	Feed Roller	Feed Roller	1	13- 20
ADF Unit 2 (C226)	H521 1372	Reverse Rollefr	Reverse Rollefr	1	15- 12
Paper Table (C226)	C200 5285	Paper Feed Rubber Side Plate	Side Pad	2	21- 3
Paper Feed And Separation Roller (C226)	5506 4169	Paper Feed Roller	Rubber Roller - Paper Feed	4	25- 17
	C224 5041	Upper Separation Roller	Reverse Roller	1	25- 31
Paper Separation Roller (C226)	5507 6055	Separation Plate	Front Guide Plate	1	27- 5
	C201 5077	Lower Separation Roller	Lower Separation Roller Ass'y	1	27- 12
2nd Feed Roller (C226)	C203 5198	Feed Roller Brake	Feed Roller Brake Ass'y	1	31- 19
Press Roller (C226)	C224 5554	Press Roller	Press Roller Ass'y	1	35- 27
Paper Delivery 2 (C226)	C207 6011	Vacuum Belts	Transport Belt	4	41- 2
Drum Section 3 (C226)	C219 4583	Drum Screen	Tetron Screen - B4	1	49- 37
	C226 4588	Drum Screen	Tetron Screen - A4	1	49- 37
Master Feed Section 1 (C226)	C224 8031	Thermal Head	Thermal Head - B4	1	53- 1
Master Feed Section 2 (C226)	C222 4044	Platen Roller	Platen Roller (B4 Model)	1	55- 12
	C224 4065	Cutter	Cutter Unit	1	55- 3
	C226 4244	Platen Roller	Platen Roller (A4 Model)	1	55- 12

Part No.	Description	Page and Index No.
C226 2015	Right Lower Bracket - Power Supply	77- 35
C226 2031	Front Lock Bracket	77- 24
C226 2034	Count Sensor Bracket	35- 12
C226 2036	Safety Switch Bracket	77- 26
C226 2040	Upper Left Stay	73- 3
C226 2041	Rear Hinge Bracket	73- 4
C226 2044	Support Plate - Front Hinge	73- 2
C226 2048	Left Side Plate	75- 7
C226 2055	Stay Cover - Upper Left	73- 1
C226 2056	Gear Bracket	75- 28
C226 2057	Cover Bracket - Front Right	75- 27
C226 2063	Stud	77- 42
C226 2064	Sensor Bracket	75- 29
C226 2066	Rear Cover Bracket - Left Upper	73- 9
C226 2103	PSU Bracket	77- 30
C226 2106	Front Base Bracket	77- 39
C226 2107	Rear Base Bracket	77- 37
C226 2110	Main Board Base	77- 38
C226 2111	Main Board Cover	77- 36
C226 2115	Front Harness Cover	77- 40
C226 2117	Right Grip - Paper Delivery	73- 13
C226 2127	AC Drive Board Cover	77- 25
C226 2161	Key Counter Cover	77- 43
C226 2172	Safety Switch Lever	77- 27
C226 2400	Front Cover Ass'y (RIC)(A4)	9- 18
C226 2404	Upper Hinge	9- 23
C226 2406	Lower Hinge	9- 24
C226 2410	Front Door Ass'y (RIC)	9- 21
C226 2412	Cover Bracket	77- 28
C226 2414	Front Cover Ass'y (RIC)(LT)	9- 18
C226 2415	Rear Cover Ass'y	9- 10
C226 2420	Left Upper Cover	9- 20
C226 2430	Rear Auxiliary Cover	9- 11
C226 2434	Switch Rod	9- 25
C226 2435	Magnetick Catch	9- 26

Part No.	Description	Page and Index No
C226 2440	Front Upper Cover	9- 7
C226 2450	Plotter Upper Cover	9- 8
C226 2451	Magnet Holder	9- 27
C226 2452	Left Plotter Cover Hinge	9- 28
C226 2453	Right Plotter Cover Hinge	9- 29
C226 2456	Sponge	9- 5
C226 2495	Front Cover Ass'y (SVN)	9- 18
C226 2596	PSU Stud	77- 31
C226 2720	Operation Panel Ass'y (LT)	11- 1
C226 2725	Operation Panel Ass'y - A4	11- 1
C226 2730	Front Door Ass'y (SVN)	9- 21
C226 2732	Emblem	9- 31
C226 2736	Decal - Caution	9- 32
C226 2736	Decal - Caution	87- 14
C226 2740	Emblem	9- 31
C226 2743	Paper Feed Lever Cover	27- 2
C226 2751	Decal - Ink Supply	9- 13
C226 2751	Decal - Ink Supply	87- 15
C226 2800	Front Cover Ass'y (NRG)(A4)	9- 18
C226 2805	Front Door Ass'y (NRG)	9- 21
C226 2810	Front Cover Ass'y (NRG)(LT)	9- 18
C226 2815	Model Name Plate - Ges 5329I	9- 30
C226 2816	Model Name Plate - Rex 1254I	9- 30
C226 2817	Model Name Plate - Nsa Cp329I	9- 30
C226 2842	Decal - Master Setting	55- 15
C226 2842	Decal - Master Setting	87- 16
C226 2900	Front Cover Ass'y (AB-Dick)	9- 18
C226 2905	Front Door Ass'y (AB-Dick)	9- 21
C226 2970	Operation Panel Cover (LT)	11- 31
C226 2971	Switching Plate (LT)	11- 17
C226 2972	Sheet - Operation A (LT)	11- 6
C226 2973	Sheet - Operation B (LT)	11- 7
C226 2974	Sheet Operation C (LT)	11- 9
C226 2974	Sheet Operation C (LT)	87- 20
C226 2976	Sheet - Switching Plate 1 (LT)	11- 3

Part No.	Description	Page and Index No.
C226 2977	Sheet - Switching Plate 2 (LT)	11- 5
C226 2978	Sheet - Switching Plate 3 (LT)	11- 4
C226 2979	Sheet - Switching Plate 4 (LT)	11- 2
C226 2980	Operation Panel Cover- A4	11- 31
C226 2981	Switching Plate - A4	11- 17
C226 2982	Sheet - Operation A (A4)	11- 6
C226 2983	Sheet - Operation B (A4)	11- 7
C226 2984	Sheet - Operation C (A4)	11- 9
C226 2984	Sheet - Operation C (A4)	87- 20
C226 2985	Sheet - Operation D (A4)	11- 8
C226 2986	Sheet - Switching Plate 1 (A4)	11- 3
C226 2987	Sheet - Switching Plate 2 (A4)	11- 5
C226 2988	Sheet - Switching Plate 3 (A4)	11- 4
C226 2989	Sheet - Switching Plate 4 (A4)	11- 2
C226 3011	Sector Gear	19- 1
C226 3018	Lock Lever Ass'y	19- 23
C226 3025	Lock Lever Bracket	19- 21
C226 3026	Rear Lever Lock Pin	19- 22
C226 3027	Master Guide Plate	19- 9
C226 3031	Lower Stopper Bracket	77- 23
C226 3301	Original Scale	11- 12
C226 3302	Both Adhesive Tape	11- 33
C226 3305	Decal - Front Original Set	11- 18
C226 3305	Decal - Front Original Set	87- 17
C226 3306	Decal - Rear Original Set	11- 28
C226 3306	Decal - Rear Original Set	87- 18
C226 3320	Contact Image Sensor - B4	17- 27
C226 3331	Enging - Long	17- 39
C226 3332	Edging - Small	17- 36
C226 3335	ADF Cover	11- 29
C226 3336	Connector Cover	11- 14
C226 3340	Xenon Lamp Harness	17- 35
C226 3341	Operation Panel Harness	11- 10
C226 3722	Upper Eject Roller - A4 (A4 Model)	61- 27
C226 3724	Lower Eject Roller - A4 (A4 Model)	61- 30

Part No.	Description	Page and Index No
C226 4061	Left Connector Bracket	59- 10
C226 4082	Upper Master Guide Plate	59- 11
C226 4232	Cutter Unit Cover	55- 14
C226 4244	Platen Roller (A4 Model)	55- 12
C226 4250	Right Connector Bracket	53- 26
C226 4588	Tetron Screen - A4	49- 37
C226 4691	Metal Screen (A4 Model)	49- 18
C226 5074	Lift Sensor Actuator	21- 28
C226 5081	Sensor Bracket	25- 1
C226 5150	Tension Spring	23- 16
C226 6146	Rear Guide Fence	43- 22
C226 6147	Front Guide Fence	43- 23
C226 6152	Exit Guide Pin	39- 14
C226 6161	Exit Guide Rail	39- 7
C226 6163	Exit Hinge Spacer	39- 11
C226 6164	Hinge Bracket - Front Exit	39- 13
C226 6165	Hinge Bracket - Rear Exit	39- 8
C226 6166	End Fence Support Plate	43- 11
C226 6167	End Fence Shaft	43- 3
C226 6168	Paper Deliverly Plate	73- 17
C226 6169	Exit Guide	43- 34
C226 6170	End Fence Guide	43- 35
C226 8007	IC - LZ9GH12	81- 2
C226 8008	IC - LC821031	81- 3
C226 8009	Oscilator - HC-49/U-S 13.1 Mhz	81- 4
C226 8042	Main Board	77- 41
C226 8042	Main Board	81- *
C226 8045	EPROM - 1M X 8 150NS	81-240
C226 8058	AC Drive Board	77- 6
C226 8058	AC Drive Board (115V)	85- *
C226 8063	AC Drive Board - 230V	77- 6
C226 8063	AC Drive Board - 230V	85- *
C226 8080	Operation Panel Board	11- 30
C226 8102	DC Drive Harness	77- 44
C226 8110	AC Drive Harness - 115V	77- 32

Part No.	Description	Page and Index No.
C226 8120	AC Drive Harness - 230V	77- 32
C226 8128	Plotter Harness	53- 17
C226 8129	Sensor Harness	53- 33
C226 8130	Relay Harness - Operation	73- 20
C226 8131	Relay Harness - Scanner	73- 21
C226 8133	Relay Harness - ADF	73- 24
C226 8134	Relay Harness - ADF Sensor 2	73- 23
C226 8163	Thermal Head Harness	53- 15
C226 8164	Harness - Power Supply	53- 14
C226 8165	Relay Harness - Power Supply	77- 1
C226 8242	Power Supply Cord - 120V	77- 14
C226 8301	Power Supply Unit - 115V	77- 22
C226 8341	Power Supply Unit - 230V	77- 22
C226 8411	Positioning Sensor	75- 30
C226 8607	Operating Instructions - LT	87- 19
C226 8650	Operating Instructions - English LT	87- 19
C226 8690	Operating Instructions - English A4	87- 19
C226 8698	Operating Instructions - Eng Asia	87- 19

Part No.	Description	Page and Index No
AA00 1190	Decal - Ground	87- 2
AA06 3014	Spring - Supply Tube	37- 4
AB03 0216	Pulley - 15Z	23- 21
AG07 0004	Magnetic Catch	9- 6
AG07 0004	Magnetic Catch	21- 37
AG07 0004	Magnetic Catch	53- 23
AG07 0004	Magnetic Catch	65- 8
AW02 0021	Photointerruptor - 175487-3	19- 19
AW02 0021	Photointerruptor - 175487-3	25- 28
AW02 0021	Photointerruptor - 175487-3	35- 13
AW02 0021	Photointerruptor - 175487-3	71- 10
AW02 0021	Photointerruptor - 175487-3	77- 21
AW02 0075	Photointerrupter	63- 11
AW50 0012	Push Switch	63-108
C200 2221	Collar - Pressure Cam Shaft	71- 2
C200 2224	Plate Nut - Print Pressure Cam	35- 18
C200 2224	Plate Nut - Print Pressure Cam	71- 4
C200 2232	Drive Shaft	71- 24
C200 2232	Drive Shaft	73- 16
C200 2248	Fixing Plate	67- 9
C200 2266	Bearing Holder	67- 24
C200 2267	Spacer	71- 11
C200 2308	Image Shifting Arm - Small	67- 5
C200 2311	Image Shifting Link	67- 6
C200 2331	Gear - 20T	67- 20
C200 2332	Gear - 16T	67- 21
C200 2338	Gear - 20T	67- 15
C200 2339	Blake Spring	67- 14
C200 3508	Master Eject Stay - Small	63- 14
C200 3529	Pulley Plate	61- 22
C200 3535	Supporter	61- 24
C200 3536	Separation Arm Bushing	61- 26
C200 3537	Arm Connect Shaft	61- 9
C200 3547	Pulley	61- 21
C200 3553	Solenoid Bracket	61- 15

Part No.	Description	Page and Index No.
C200 3554	Solenoid Arm	61- 16
C200 3606	Coupled Gear - 62T & 20T	61- 3
C200 3627	Gear - 30T	61- 2
C200 3628	Gear - 20T	61- 6
C200 3629	Gear - 20T	51- 10
C200 3712	Pulley	63- 5
C200 3716	Cushion Shaft	75- 23
C200 3953	Middle Lever	75- 6
C200 3954	Lower Lever	75- 3
C200 3956	Middle Lever Spring	75- 26
C200 3957	Lower Lever Spring	75- 4
C200 4184	Tension Spring	57- 15
C200 4551	Slide Guide	69- 3
C200 4553	Slide Shaft	69- 9
C200 4561	Clamper Spring	69- 5
C200 4613	Rear Side Plate - Drum	49- 2
C200 4622	Side Plate Cover - Drum	47- 2
C200 4623	Rear Cover - Drum Side Plate	47- 7
C200 4625	Drum Rail	49- 25
C200 4627	Drum Rail Shaft	49- 17
C200 4631	Left Arm - Drum Lock (B4 Model)	47- 19
C200 4632	Right Arm - Drum Lock (B4 Model)	47- 11
C200 4633	Drum Lock Shaft - Long	47- 10
C200 4634	Drum Lock Spring - Left	47- 21
C200 4635	Drum Lock Spring - Right	47- 20
C200 4636	Left Stopper - Drum Lock	47- 18
C200 4637	Right Stopper - Drum Lock	47- 15
C200 4638	Drum Lock Shaft - Small	47- 16
C200 4639	Release Lever - Drum Lock	47- 14
C200 4640	Stopper Spring - Drum Lock	47- 17
C200 4650	Drum Shaft	49- 19
C200 4653	Drum Shaft Bracket	49- 3
C200 4672	Gear - 48T	49- 11
C200 4673	Gear - 50T	49- 26
C200 4674	Drive Flange - Ink Roller (B4 Model)	49- 10

Part No.	Description	Page and Index No
C200 4682	Screen Front Plate (B4 Model)	49- 33
C200 4683	Screen Rear Plate (B4 Model)	49- 35
C200 4715	Shaft Stay - Ink Roller (B4 Model)	51- 7
C200 4722	Drum Doctor Roller (B4 Model)	51- 15
C200 4723	Adjusting Plate - Doctor Roller	51- 11
C200 4733	Ink Detector Bracket	51- 6
C200 4748	Gear - 45T	51- 8
C200 4749	Ground Plate	51- 1
C200 4813	Support Plate - Ink Antechamber	45- 19
C200 4814	Bushing - 6x10x55mm	45- 3
C200 4826	Pump Rubber	45- 25
C200 4827	Packing - Pump Socket	45- 26
C200 4852	Gear - 50T	45- 2
C200 4861	Pump Clutch Sleeve	45- 8
C200 4862	Ink Stopper	45- 7
C200 4864	Bracket - Ink Supply Solenoid	45- 4
C200 4867	Gear - 50T	45- 23
C200 4912	Drum Stopper Bracket	47- 4
C200 4913	Drum Stopper Shaft	47- 6
C200 4914	Drum Stopper Spring	47- 3
C200 4923	Left Shaft - Ink Holder	45- 17
C200 4924	Right Shaft - Ink Holder	45- 15
C200 4926	Ink Holder Cam	45- 18
C200 4928	Seal - 0.5x14x9	45- 12
C200 4942	Pinion - 9t	49- 34
C200 4944	Sector Gear - 9t	49- 6
C200 4945	Sector Gear Spring	49- 7
C200 4946	Clamper Sector Shaft	49- 5
C200 5042	Rear Shaft - Paper Feed	21- 26
C200 5106	Paper Feed Pressure Spring	27- 10
C200 5137	Left Bracket - Guide Plate	31- 2
C200 5138	Right Bracket - Guide Plate	31- 22
C200 5150	Bushing - 7x18x9mm	31- 1
C200 5153	Bushing Supporter	31- 11
C200 5154	Left Spring Arm	31- 4

Part No.	Description	Page and Index No.
C200 5155	Right Spring Arm	31- 8
C200 5205	Paper Feed Spring	29- 8
C200 5222	Sector Spring	29- 7
C200 5222	Sector Spring	33- 4
C200 5223	Lift Cam	33- 7
C200 5225	Bracket - Paper Feed Solenoid	29- 16
C200 5226	Link - Paper Feed Solenoid	29- 15
C200 5235	Paper Feed Solenoid Spring	29- 13
C200 5274	Right Side Plate - Paper Feed	21- 8
C200 5285	Side Pad	21- 3
C200 5335	Side Plate Slider	21- 21
C200 5503	Paper Detecting Shaft	31- 17
C200 5504	Paper Detecting Pin	31- 16
C200 5526	Print Pressure Bushing	35- 2
C200 5526	Print Pressure Bushing	37- 14
C200 5541	Print Pressure Arm	35- 20
C200 5565	Print Pressure Stopper	35- 3
C200 5566	Pressure On/Off Lever	35- 1
C200 6002	Adjusting Arm	35- 6
C200 6004	Exit Pawl Lever	35- 16
C200 6004	Exit Pawl Lever	37- 18
C200 6058	Gear - 28T	39- 1
C200 6059	Pulley - 25T	39- 5
C200 6060	Timing Belt - 170XL	39- 4
C200 8520	Ink Detector Harness	51- 4
C200 8522	Ground Wire	49- 8
C200 8524	Color Drum Harness	49- 1
C200 9001	Drum Guage	89- 2
C200 9002	Image Shifting Guage	89- 3
C201 2211	Stud	67- 3
C201 2221	Gear - 40T	67- 18
C201 2222	Coupled Gear - 20t & 60t	67- 19
C201 2425	Adjusting Lever	27- 3
C201 2543	Decal - Drum Caution	49- 14
C201 2543	Decal - Drum Caution	87- 3

Part No.	Description	Page and Index No
C201 3004	Stopper Stud	73- 26
C201 3527	Pressure Spring	61- 25
C201 3529	Lower Pulley Shaft	61- 19
C201 4005	Master Roll Flange (A4 Model)	55- 10
C201 4067	Pump Clutch Collar	45- 9
C201 4531	Drum Stopper Pawl	75- 11
C201 4532	Drum Stopper Roller	75- 10
C201 4533	Drum Stopper Spring	75- 22
C201 4541	Bracket - Drum Detecting Switch	77- 13
C201 4561	Drum Clamper Roller	69- 2
C201 4604	Drum Rail Roller	49- 16
C201 4604	Drum Rail Roller	75- 9
C201 4606	Stopper Releasing Plate	49- 23
C201 4609	Stopper Relasing Lever	49- 21
C201 4610	Drum Slider Spring	49- 24
C201 4613	Drum Rail Cover	49- 13
C201 4621	Drum Side Plate (B4 Model)	47- 1
C201 4636	Drum Unit Handle	47- 12
C201 4639	Ink Holder Handle	45- 13
C201 4664	Ink Roller Stay (B4 Model)	51- 16
C201 4665	Bearing Holder	51- 9
C201 4666	Drum Ink Roller (B4 Model)	51- 17
C201 4676	Clutch Spring	45- 21
C201 4677	Clutch Bracket	45- 10
C201 4681	Stopper Plate	49- 20
C201 4682	Ink Cartridge Spring	45- 14
C201 5015	Seal - M10	21- 5
C201 5051	Pinion - 24t	23- 2
C201 5075	Guide Plate Bracket	27- 1
C201 5077	Lower Separation Roller Ass'y	27- 12
C201 5080	Separation Roller Pressure Spring	27- 16
C201 5080	Separation Roller Pressure Spring	69- 18
C201 5082	Spring Plate - Left	27- 25
C201 5083	Left Bracket - Separation Pressure	27- 24
C201 5084	Right Bracket - Separation Pressure	27- 20

Part No.	Description	Page and Index No.
C201 5086	Spring Plate - Right	27- 19
C201 5088	Separation Pressure Lever	27- 22
C201 5089	Washer - M6	27- 21
C201 5090	Separation Roller Pressure Stud	27- 13
C201 5101	Link	29- 18
C201 5101	Link	33- 2
C201 5125	Shoulder Screw - M4	21- 35
C201 5125	Shoulder Screw - M4	31- 5
C201 5134	Bearing Holder	31- 10
C201 5145	Lift Arm Spring	33- 10
C201 5505	Height Sensor Bracket	31- 15
C201 5550	Printing Pressure Stay	35- 24
C201 6015	Air Knif Nozzle	63- 8
C203 2096	Bottom Stay Nut	73- 12
C203 2107	Right Grip	73- 18
C203 2119	Bracket - Power Supply Cord	77- 10
C203 2130	Master Eject Cover	9- 4
C203 2131	Transformer Cover	77- 9
C203 2215	Gear - 18T	71- 16
C203 2303	Snap Bushing	67- 13
C203 2304	Support Side Plate	67- 4
C203 2306	Support Side Plate - Aid	71- 23
C203 2309	Pulse Disk	71- 19
C203 2311	Gear Flange	71- 15
C203 2312	Pulley	71- 6
C203 2316	Timing Belt	67- 12
C203 2317	Pulley - 26Z	67- 11
C203 2327	Pulley Flange	71- 8
C203 2430	Rear Cover Bracket	9- 9
C203 2728	Decal - Paper Separator	27- 18
C203 2728	Decal - Paper Separator	87- 4
C203 2759	Master Cutter Decal	73- 5
C203 2759	Master Cutter Decal	87- 5
C203 3501	Tension Spring	61- 13
C203 3504	Hinge Shaft	65- 1

Part No.	Description	Page and Index No
C203 3511	Arm - Master Eject Box	65- 7
C203 4013	Brake Plate	53- 21
C203 4038	Master Guide - Large	57- 17
C203 4060	Tension Release Slider	57- 6
C203 4524	Screen Plate Spring	49- 36
C203 4532	Drum Stopper	47- 5
C203 4543	Ink Detector	51- 5
C203 4553	Ink Holder	45- 16
C203 5045	Bushing - 18x24x28mm	25- 27
C203 5055	Actuator - Paper Feed Table	25- 14
C203 5062	Left Arm - Separation	27- 14
C203 5066	Right Arm - Separation	27- 17
C203 5086	Guide Plate	27- 15
C203 5087	Rubber Plate - Feed Table	21- 10
C203 5113	Bushing - 6x9x3mm	21- 18
C203 5114	Bushing - 3x6x3mm	21- 16
C203 5119	Arm - Paper Feed Table	21- 36
C203 5121	Bushing - 8x12x9mm	21- 13
C203 5122	Front Shaft - Paper Feed	21- 27
C203 5131	Gear Cover	21- 20
C203 5135	Bushing - 10x14x5.9	23- 1
C203 5142	Rack Shaft	21- 23
C203 5152	Safety Switch Shaft	23- 12
C203 5153	Safety Switch Actuator	23- 15
C203 5170	Feed Cam Shaft	29- 10
C203 5184	Sector Gear	33- 6
C203 5194	Shoulder Screw - M4	29- 2
C203 5198	Feed Roller Brake Ass'y	31- 19
C203 5200	Tension Roller	25- 11
C203 5201	Tension Arm	25- 16
C203 5205	Belt Tensioner Ass'y	25- 30
C203 5208	Tension Bracket	25- 15
C203 5215	Tension Spring	25- 13
C203 5220	Gear - 18T	25- 9
C203 5225	Spacer - Tension - Paper Feed	25- 24

Part No.	Description	Page and Index No.
C203 5505	Print Pressure Shaft	35- 8
C203 5507	Shielding Plate	35- 9
C203 6064	Idol Shaft	39- 3
C203 6065	Pulley Flange	41- 7
C203 8098	Grounding Wire	21- 4
C203 8137	Master Sensor	59- 12
C203 8204	Grounding Wire	65- 16
C203 8365	Grounding Wire	21- 19
C203 8453	Rectification Brush	71- 13
C207 2005	Seal - 30	73- 19
C207 2207	Pulley - 12Z	71- 21
C207 2209	Pulley - 60Z	71- 7
C207 2210	Timing Belt - 100S4.5M297	71- 14
C207 2211	Bearing Stopper	71- 22
C207 3559	Sensor Bracket	61- 10
C207 3604	Pulley - 40Z	61- 5
C207 3612	Timing Belt - B30S2M126	61- 4
C207 4150	Fixing Screw	55- 9
C207 4550	Sensor Sheet - 8x20	49- 38
C207 4554	Solenoid Lever	69- 4
C207 4555	Rubber Seal - 8x14x2	69- 16
C207 4611	Front Stopper Guide	49- 15
C207 4612	Rear Roller Guide	49- 12
C207 4664	Front Side Plate - Ink Roller	51- 12
C207 4665	Rear Side Plate - Ink Roller	51- 2
C207 4670	Gear - 24Z	51- 19
C207 4672	Gear - 36Z	51- 20
C207 4938	Clamper Plate	49- 27
C207 4938	Clamper Plate	49- 29
C207 5028	Paper Feed Rack	21- 22
C207 5125	Guide Plate Spacer	31- 23
C207 5231	Gear - 2nd Feed Roller	31- 12
C207 5279	Left Side Plate - Paper Feed	21- 7
C207 6011	Transport Belt	41- 2
C207 8451	Main Motor - DC80W	71- 1

Part No.	Description	Page and Index No
C209 2216	Driver Shaft	71- 18
C209 3501	Front Side Plate	63- 17
C209 3507	Master Exit Sensor Cover	63- 21
C209 3512	Rear Side Plate	63- 6
C209 3532	Pressure Plate Shaft	63- 16
C209 3533	Plessure Plate Arm	63- 3
C209 3536	Pulley	63- 2
C209 3539	Pressure Arm Shaft	63- 13
C209 3540	Front Pressure Arm	63- 19
C209 3543	Rear Pressure Arm	63- 1
C209 3545	Gear - 62Z	61- 1
C209 3550	Worm Gear - 16/50Z	61- 31
C209 3551	Gear - 16/116Z	61- 32
C209 3554	Gear - 60Z	63- 18
C209 3557	Bracket	61- 33
C209 3558	Master Eject Box	65- 6
C209 3615	Spacer - 6x12x3	63- 20
C209 3642	Master Eject Stay - Large	63- 12
C209 3643	Lock Stay	63- 22
C209 3661	Solenoid Plate	61- 14
C209 3671	Master Eject Hinge	65- 2
C209 4027	Master End Sensor Bracket	53- 29
C209 4040	Left Adjusting Plate	53- 9
C209 4049	Gear - 48Z	55- 1
C209 4059	Lever Knob	53- 24
C209 4072	Gear - 24Z	57- 7
C209 4075	Left Arm - Tension Release	57- 8
C209 4076	Tension Release Arm	53- 16
C209 4076	Tension Release Arm	57- 10
C209 4114	Gear - 20/27Z	59- 8
C209 4115	Gear - 30Z	57- 2
C209 4116	Spacer - 6x36x0.3	57- 1
C209 4128	Harness Bracket	59- 2
C209 4139	Spring Plate	53- 6
C209 4180	Thermal Head Spacer	53- 3

Part No.	Description	Page and Index No.
C209 4321	Antistatic Brush	57- 19
C209 4516	Slide Guide - Drive Shaft	69- 20
C209 4674	Gear - 25Z	45- 22
C209 4711	Hose Band	37- 11
C209 4713	Hose Band	37- 8
C209 5092	Rubber Plate Lever	21- 42
C209 5220	Spacer - 4x20x6	27- 4
C209 5521	Joint Shaft	35- 28
C209 5543	Press Roller Spring Link	35- 21
C209 6136	Magnet Plate	43- 19
C209 6137	Magnet Catch Cover	43- 37
C209 6141	Guide Fence Rail	43- 26
C209 6142	Guide Fence Slider	43- 16
C209 6143	Guide Fence Knob	43- 25
C209 6144	Guide Fence Shaft	43- 14
C209 6144	Guide Fence Shaft	43- 24
C209 6150	End Fence Spring	43- 17
C209 6151	End Fence Support Rail	43- 15
C209 6153	Bracket - Support End Fence	43- 18
C209 6158	End Fence Bracket	43- 6
C209 6160	End Fence Base	43- 4
C209 6161	Left Rail - End Fence (A4)	43- 12
C209 6162	Right Rail - End Fence (A4)	43- 7
C209 6163	Spacer - 10x18x1	43- 8
C209 6164	Rail Spring - End Fence	43- 9
C209 6168	End Fence Washer	43- 10
C209 6183	Small End Fence	43- 13
C209 6213	Piston Pin - Air Pump	37- 3
C209 6225	Hose Clamp	37- 17
C209 8117	Drum Master Detection Sensor	61- 11
C209 8260	Micro Motor - Master Eject	61- 18
C209 8280	Image Position Sensor	67- 16
C210 6253	Delivery Table (LT)	43- 20
C210 6254	Left Rail - End Fence (LT)	43- 12
C210 6255	Right Rail - End Fence (LT)	43- 7

Part No.	Description	Page and Index No
C210 6262	Delivery Table (A4)	43- 20
C211 4040	Master Holder (A4 Model)	55- 11
C211 4520	Left Lock Pin - Drum(A4 Model)	75- 20
C211 4523	Drum Lock Pin (A4 Model)	75- 25
C211 4570	Drum Side Plate (A4 Model)	47- 1
C211 4631	Left Arm - Drum Lock (A4 Model)	47- 19
C211 4632	Right Arm - Drum Lock (A4 Model)	47- 11
C211 4664	Ink Roller Stay (A4 Model)	51- 16
C211 4666	Drum Ink Roller (A4 Model)	51- 17
C211 4674	Drive Flange - Ink Roller (A4 Model)	49- 10
C211 4682	Screen Front Plate (A4 Model)	49- 33
C211 4683	Screen Rear Plate (A4 Model)	49- 35
C211 4715	Shaft Stay - Ink Roller (A4 Model)	51- 7
C211 4722	Drum Doctor Roller (A4 Model)	51- 15
C211 5595	Print Pressure Cam (A4 Model)	71- 5
C213 2218	Stud & Gear - 30T	67- 1
C213 2453	Decal - Paper Feed Table	21- 12
C213 2453	Decal - Paper Feed Table	87- 6
C213 2454	Decal - Paper Feed Knob	87- 7
C213 3561	Master Eject Sensor Bracket	61- 35
C213 4040	Master Holder (B4 Model)	55- 11
C213 4042	Master Roll Flange (B4 Model)	55- 10
C213 4042	Master Roll Flange	89- 1
C213 4045	Lower Reverse Roller	59- 5
C213 4810	Ink Antechamber	45- 20
C213 5110	Paper Feed Cam	29- 11
C213 5120	Second Feed Roller Cam	29- 1
C213 5560	Print Pressure Cam	35- 19
C213 5560	Print Pressure Cam (B4 Model)	71- 5
C213 6003	Pawl Shaft	35- 15
C213 6003	Pawl Shaft	37- 16
C213 6005	Vacuum Plate	41- 5
C213 6017	Vacuum Duct	41- 8
C213 6030	Reinforcement Plate	37- 10
C213 6030	Reinforcement Plate	67- 2

Part No.	Description	Page and Index No.
C213 6037	Air Piston Ass'y	37- 1
C213 6038	Piston Link	37- 2
C213 6040	Piston	37- 19
C213 6041	Oring - 33.7	37- 6
C213 6042	Piston Valve	37- 5
C213 6043	Air Pamp Cylinder	37- 7
C213 6050	Exit Pawl	35- 14
C213 6050	Exit Pawl	37- 15
C213 6081	Paper Delivery Plate	39- 12
C213 6201	Shelter Plate	39- 10
C213 8319	Choke - SC-08-30J-C	85- 1
C215 4502	Drum Rail Stay	73- 6
C215 4510	Drum Release Knob Ass'y	75- 14
C215 4514	Drum Lock Knob	75- 15
C215 4515	Drum Lock Link	73- 8
C215 4517	Connector Lock Arm	69- 15
C215 4528	Plate Spring - Drum Rail	73- 7
C215 4532	Locking Arm	75- 12
C215 4533	Spring Plate	75- 13
C215 4535	Connector Bracket	69- 14
C215 4536	Ink Detecting Board Bracket	69- 17
C215 4537	Connector Lock Lever	69- 13
C215 4538	Slid Lock Arm	69- 1
C215 4539	Connector Spring	69- 12
C215 4557	Spring	51- 21
C215 4690	Metal Screen (B4 Model)	49- 18
C215 4950	Drum Clamper Base Ass'y	49- 32
C215 5089	Paper Feed Table	21- 11
C215 5095	Seal	21- 6
C215 8116	Ink Detecting Board	69- 8
C215 8116	Ink Detecting Board	77- 11
C215 8121	Master Motor - DC24V/38.4W	55- 8
C217 2453	Rear Cover Cap- Small	9- 12
C217 2454	Rear Cover Cap- Large	9- 1
C217 2455	Key Counter Cover	9- 3

Part No.	Description	Page and Index No
C217 4592	Front Bank Plate	51- 14
C217 4594	Rear Bank Plate	51- 3
C217 4598	Front Drum Blade	51- 13
C217 4599	Rear Drum Blade	51- 18
C217 8447	DC Motor - 24V/7.2W	61- 34
C218 2071	Safety Swtich Stopper	77- 8
C218 2172	Safety Switch Lever	65- 12
C218 2173	Support Plate - Safety Switch	65- 13
C218 2173	Support Plate - Safety Switch	77- 33
C218 2185	Stepper Screw	65- 15
C218 2185	Stepper Screw	77- 34
C218 2455	Master Eject Door	9- 2
C218 2455	Master Eject Door	65- 10
C218 2525	Stepped Screw - M4	9- 33
C218 2825	Decal - Master Eject Open	9- 16
C218 2825	Decal - Master Eject Open	87- 8
C218 2827	Decal - Master Feed	53- 12
C218 2827	Decal - Master Feed	55- 16
C218 2827	Decal - Master Feed	87- 9
C218 3073	Timing Belt - B60S2M126	23- 5
C218 3532	Pulley Guide	63- 10
C218 4038	Bushing Washer - M8	53- 20
C218 5054	Table Position Knob	21- 15
C218 5116	Washer - 6x13x12mm	21- 17
C218 6119	Delivery Table Cover	43- 21
C219 2050	Front Stay	73- 10
C219 2053	Left Fixing Plate	75- 21
C219 2057	Right Fixing Plate	73- 14
C219 2073	Stopper Stud - Paper Feed	29- 17
C219 2075	Feed Gear Stopper Shaft	33- 3
C219 2205	Bracket - Drum Rotation Sensor	71- 20
C219 2214	Gear - 40Z	71- 17
C219 2217	Collar	71- 12
C219 2226	Gear - 22Z	67- 22
C219 2306	Drum Sensor Bracket	77- 17

Part No.	Description	Page and Index No.
C219 2315	Tension Shaft	67- 10
C219 3517	Master Eject Stay	61- 8
C219 3526	Upper Pulley Shaft - B4 (B4 Model)	61- 20
C219 3531	Plessure Plate - B4/LG	63- 15
C219 3605	Upper Belt	61- 28
C219 3606	Lower Belt	61- 29
C219 3673	Inner Cover - Master Eject	65- 14
C219 3680	Master Eject Hinge - Small	65- 3
C219 3726	Upper Pulley Shaft - LG (A4 Model)	61- 20
C219 3950	Stepped Screw	75- 2
C219 3950	Stepped Screw	77- 29
C219 4007	Spring - B4 (B4 Model)	53- 7
C219 4012	Plotter Lower Cover	53- 19
C219 4015	Plotter Base	53- 18
C219 4019	Thermal Head Cover	53- 25
C219 4022	Master Roll Catcher	53- 22
C219 4026	Sensor Shaft	53- 11
C219 4028	Sensor Spring	53- 28
C219 4029	Lever Shaft	53- 31
C219 4031	Platen Release Lever	53- 32
C219 4048	Tension Release Shaft	57- 9
C219 4052	Lower Master Feed Roller	57- 16
C219 4053	Lower Master Guide Plate	57- 18
C219 4054	Antistatic Brush	57- 11
C219 4055	Reverse Guide	57- 13
C219 4056	Master Guide Plate	57- 12
C219 4058	Spring	59- 13
C219 4061	Master Guide	59- 9
C219 4065	Plotter Middle Stay	59- 6
C219 4071	Gear - 17Z	55- 7
C219 4101	Right Side Plate	53- 27
C219 4120	Plotter Stay	57- 20
C219 4130	Left Gear Cover	55- 2
C219 4154	Spring - LG (A4 Model)	53- 7
C219 4506	Stopper Base	75- 8

Part No.	Description	Page and Index No
C219 4560	Rear Drum Flange	49- 31
C219 4583	Tetron Screen - B4	49- 37
C219 4686	Drum H.P Sensor Actuator	49- 9
C219 4941	Clamper Shaft	49- 30
C219 5003	Upper Guide Plate	31- 24
C219 5025	Upper Roller Shaft	25- 21
C219 5026	Pick-up Roller Shaft	25- 23
C219 5029	Rear Bushing Shaft	25- 7
C219 5030	Bushing	25- 6
C219 5033	Paper Feed Roller	25- 25
C219 5036	Paper Feed Roller	25- 29
C219 5073	Stepped Screw	21- 33
C219 5079	Supporter	21- 31
C219 5105	Sector Gear Stopper	29- 9
C219 5106	Sector Gear Stopper	33- 5
C219 5108	Sector Stopper - Feed Roller	29- 12
C219 5109	Feed Sector Stopper	33- 1
C219 5120	Feed Cam Shaft	33- 8
C219 5122	Paper Feed Sector Cam	29- 4
C219 5127	Sector Gear Shaft	29- 3
C219 5152	Paper Feed Lever	27- 6
C219 5157	Adjusting Plate	25- 8
C219 5158	Spring Link	25- 18
C219 5557	Rear Guide Plate	35- 26
C219 6008	Driven Roller - Transport Belt	41- 3
C219 6080	Driven Roller Pulley	41- 9
C219 6084	Antistatic Brush	39- 9
C219 6219	Air Hose	37- 12
C219 8119	Drum Relay Harness	69- 10
C219 8171	Microswitch	77- 5
C219 8174	Microswitch	77- 18
C219 8204	Vacuum Fan Motor - DC24V 0.3A	41- 10
C219 8204	Vacuum Fan Motor - DC24V 0.3A	63- 9
C219 8239	Reverse Roller - Magnetic Clutch	59- 7
C219 8296	Safety Switch	77- 15

Part No.	Description	Page and Index No.
C221 3537	Pressure Spring	63- 4
C221 6130	Left Stay - Delivery Table	43- 33
C221 6131	Right Stay - Delivery Table	43- 32
C222 2072	Bottom Stay	73- 11
C222 3526	Sensor Bracket - Master Eject Box	63- 23
C222 4001	Guide Plate - Thermal Head	53- 2
C222 4002	Thermal Head Spacer	53- 4
C222 4003	Thermal Head Base	53- 5
C222 4036	Right Holder	55- 13
C222 4037	Left Holder	55- 6
C222 4044	Platen Roller (B4 Model)	55- 12
C222 4070	Gear - 42Z	55- 4
C222 4071	Gear - 30Z	57- 3
C222 4072	Timing Belt	55- 5
C222 4111	Left Side Plate	53- 10
C222 4136	Pressure Spring	53- 8
C222 5121	Position Indicator	21- 32
C222 6166	Lower Guide - Rear Fence (LT)	43- 38
C222 6167	Lower Guide - Front Fence (LT)	43- 39
C222 8030	IC - UPD65622GF-203-3B9	81- 1
C222 8461	Master Counter	77- 2
C222 8462	Total Counter	77- 7
C223 2217	Gear Shaft	67- 7
C223 2229	Feed Cam Gear	29- 19
C223 5091	Gear Shaft	23- 18
C223 5093	Lift Motor Bracket	23- 6
C223 5095	Worm Wheel	23- 8
C223 5096	Lift Gear	23- 9
C223 5097	Worm Wheel	23- 7
C223 5098	Support Gear Bracket	23- 22
C223 5099	Worm Gear Shaft	23- 17
C223 5126	Timing Pulley	23- 19
C223 5133	Paper Lift Shaft	23- 4
C223 6183	End Plate	89- 10
C224 2018	Transformer Bracket	77- 11

Part No.	Description	Page and Index No
C224 2051	Switch Cover	77- 20
C224 2052	Left Grip - Paper Delivery	75- 16
C224 2080	Solenoid Bracket	69- 7
C224 2094	Bottom Cover	75- 17
C224 2112	Left Grip - Paper Feed	75- 18
C224 2160	Total Counter Bracket	77- 4
C224 2171	Safety Switch Bracket - Eject Box	65- 11
C224 2172	Safety Switch Lever	77- 19
C224 2225	Joint Cam Shaft	35- 17
C224 2225	Joint Cam Shaft	71- 3
C224 2302	Image Shifting Arm - Large	67- 23
C224 2321	Bracket - Image Shifting Unit	67- 17
C224 2326	Gear - 90Z	71- 9
C224 2421	Paper Feed Table Cover (LT)	21- 41
C224 2426	Paper Feed Table Cover	21- 38
C224 2426	Paper Feed Table Cover (A4)	21- 41
C224 2431	Paper Feed Support Cover	9- 15
C224 2436	Plotter Cover	9- 14
C224 2460	Maser Eject Cover Ass'y	65- 9
C224 2461	Master Eject Cover	65- 4
C224 2551	Switch Bracket	77- 16
C224 2716	Decal - Paper Size - LT	21- 39
C224 2716	Decal - Paper Size - LT	87- 10
C224 2718	Decal - Paper Size - A4	21- 39
C224 2718	Decal - Paper Size - A4	87- 10
C224 2737	Decal - Paper Feed	27- 7
C224 2737	Decal - Paper Feed	87- 11
C224 2742	Decal - Drum Operation	9- 17
C224 2742	Decal - Drum Operation	87- 12
C224 2766	Decal - Counter	9- 19
C224 2766	Decal - Counter	87- 13
C224 3509	Upper Lever	75- 1
C224 3541	Upper Eject Roller (B4 Model)	61- 27
C224 3545	Lower Eject Roller (B4 Model)	61- 30
C224 3727	Bottom Plate - Master Eject	63- 7

Part No.	Description	Page and Index No.
C224 3768	Upper Inner Cover	65- 5
C224 4052	Upper Tension Roller	57- 14
C224 4057	Tension Roller Guide Seal	57- 21
C224 4063	Upper Invertor Roller	59- 3
C224 4065	Cutter Unit	55- 3
C224 4520	Drum Lock Pin (B4 Model)	75- 20
C224 4520	Drum Lock Pin (B4 Model)	75- 25
C224 4670	Ink Pump Ass'y	45- 11
C224 4680	Ink Pump Ass'y (AB Dick)	45- 11
C224 5006	Upper Feed Roller Ass'y	31- 21
C224 5008	Upper Feed Roller	31- 6
C224 5031	Spring - Paper Feed Pressure	25- 2
C224 5034	Spring Link	25- 3
C224 5037	Feed Roller Holder	25- 5
C224 5041	Reverse Roller	25- 31
C224 5056	Hinge	21- 34
C224 5073	Arm Balancer - Feed Roller	25- 10
C224 5090	Paper Feed Motor Cover	23- 20
C224 5101	Sector Gear	29- 5
C224 5122	Lower Guide Plate	31- 9
C224 5126	Right Rack - Paper Feed	21- 25
C224 5128	Left Rack - Paper Feed	21- 40
C224 5142	Feed Roller Arm	33- 9
C224 5158	Safety Switch Plate	23- 13
C224 5162	Switch Bracket	23- 3
C224 5230	Lower Feed Roller	31- 18
C224 5515	Pressure On/Off Lever	31- 13
C224 5552	Left Arm - Print Pressure	35- 10
C224 5553	Right Arm - Print Pressure	35- 7
C224 5554	Press Roller Ass'y	35- 27
C224 6001	Vacuum Plate Base	41- 12
C224 6004	Pawl Cam	35- 25
C224 6009	Drive Roller - Transport Belt	41- 11
C224 6019	Idler Roller Shaft	41- 1
C224 6033	Pump Drive Gear	37- 9

Part No.	Description	Page and Index No
C224 6060	Vacuume Drive Bracket	39- 6
C224 8031	Thermal Head - B4	53- 1
C224 8061	Motor - DC25.8W	67- 8
C224 8107	Paper Exit Unit Harness	41- 4
C224 8122	Master Eject Harness	61- 7
C224 8151	Transformer - 115V	77- 12
C224 8156	Transformer - 230V	77- 12
C224 8213	DC Motor	23- 10
C224 8252	Power Supply Cord - 230V	77- 14
C224 8450	Drum Clamper Solenoid	69- 6
C224 8452	Master Eject Solenoid	61- 12
C224 8456	Release Solenoid	35- 5
C224 8458	Release Solenoid	29- 14
C224 8460	Ink Supply Solenoid	45- 5
C224 8462	Drum Lock Solenoid	69- 19
C225 2866	Decal - Key Top Cover	9- 22
C225 2866	Decal - Key Top Cover	87- 1
C225 2867	Decal - Cover - Panel - Nashua	9- 22
C225 2867	Decal - Cover - Panel - Nashua	87- 1
C226 2015	Right Lower Bracket - Power Supply	77- 35
C226 2031	Front Lock Bracket	77- 24
C226 2034	Count Sensor Bracket	35- 12
C226 2036	Safety Switch Bracket	77- 26
C226 2040	Upper Left Stay	73- 3
C226 2041	Rear Hinge Bracket	73- 4
C226 2044	Support Plate - Front Hinge	73- 2
C226 2048	Left Side Plate	75- 7
C226 2055	Stay Cover - Upper Left	73- 1
C226 2056	Gear Bracket	75- 28
C226 2057	Cover Bracket - Front Right	75- 27
C226 2063	Stud	77- 42
C226 2064	Sensor Bracket	75- 29
C226 2066	Rear Cover Bracket - Left Upper	73- 9
C226 2103	PSU Bracket	77- 30
C226 2106	Front Base Bracket	77- 39

Part No.	Description	Page and Index No.
C226 2107	Rear Base Bracket	77- 37
C226 2110	Main Board Base	77- 38
C226 2111	Main Board Cover	77- 36
C226 2115	Front Harness Cover	77- 40
C226 2117	Right Grip - Paper Delivery	73- 13
C226 2127	AC Drive Board Cover	77- 25
C226 2161	Key Counter Cover	77- 43
C226 2172	Safety Switch Lever	77- 27
C226 2400	Front Cover Ass'y (RIC)(A4)	9- 18
C226 2404	Upper Hinge	9- 23
C226 2406	Lower Hinge	9- 24
C226 2410	Front Door Ass'y (RIC)	9- 21
C226 2412	Cover Bracket	77- 28
C226 2414	Front Cover Ass'y (RIC)(LT)	9- 18
C226 2415	Rear Cover Ass'y	9- 10
C226 2420	Left Upper Cover	9- 20
C226 2430	Rear Auxiliary Cover	9- 11
C226 2434	Switch Rod	9- 25
C226 2435	Magnetick Catch	9- 26
C226 2440	Front Upper Cover	9- 7
C226 2450	Plotter Upper Cover	9- 8
C226 2451	Magnet Holder	9- 27
C226 2452	Left Plotter Cover Hinge	9- 28
C226 2453	Right Plotter Cover Hinge	9- 29
C226 2456	Sponge	9- 5
C226 2495	Front Cover Ass'y (SVN)	9- 18
C226 2596	PSU Stud	77- 31
C226 2720	Operation Panel Ass'y (LT)	11- 1
C226 2725	Operation Panel Ass'y - A4	11- 1
C226 2730	Front Door Ass'y (SVN)	9- 21
C226 2732	Emblem	9- 31
C226 2736	Decal - Caution	9- 32
C226 2736	Decal - Caution	87- 14
C226 2740	Emblem	9- 31
C226 2743	Paper Feed Lever Cover	27- 2

Part No.	Description	Page and Index No
C226 2751	Decal - Ink Supply	9- 13
C226 2751	Decal - Ink Supply	87- 15
C226 2800	Front Cover Ass'y (NRG)(A4)	9- 18
C226 2805	Front Door Ass'y (NRG)	9- 21
C226 2810	Front Cover Ass'y (NRG)(LT)	9- 18
C226 2815	Model Name Plate - Ges 5329I	9- 30
C226 2816	Model Name Plate - Rex 1254I	9- 30
C226 2817	Model Name Plate - Nsa Cp329I	9- 30
C226 2842	Decal - Master Setting	55- 15
C226 2842	Decal - Master Setting	87- 16
C226 2900	Front Cover Ass'y (AB-Dick)	9- 18
C226 2905	Front Door Ass'y (AB-Dick)	9- 21
C226 2970	Operation Panel Cover (LT)	11- 31
C226 2971	Switching Plate (LT)	11- 17
C226 2972	Sheet - Operation A (LT)	11- 6
C226 2973	Sheet - Operation B (LT)	11- 7
C226 2974	Sheet Operation C (LT)	11- 9
C226 2976	Sheet - Switching Plate 1 (LT)	11- 3
C226 2977	Sheet - Switching Plate 2 (LT)	11- 5
C226 2978	Sheet - Switching Plate 3 (LT)	11- 4
C226 2979	Sheet - Switching Plate 4 (LT)	11- 2
C226 2980	Operation Panel Cover- A4	11- 31
C226 2981	Switching Plate - A4	11- 17
C226 2982	Sheet - Operation A (A4)	11- 6
C226 2983	Sheet - Operation B (A4)	11- 7
C226 2984	Sheet - Operation C (A4)	11- 9
C226 2985	Sheet - Operation D (A4)	11- 8
C226 2986	Sheet - Switching Plate 1 (A4)	11- 3
C226 2987	Sheet - Switching Plate 2 (A4)	11- 5
C226 2988	Sheet - Switching Plate 3 (A4)	11- 4
C226 2989	Sheet - Switching Plate 4 (A4)	11- 2
C226 3011	Sector Gear	19- 1
C226 3018	Lock Lever Ass'y	19- 23
C226 3025	Lock Lever Bracket	19- 21
C226 3026	Rear Lever Lock Pin	19- 22

Part No.	Description	Page and Index No.
C226 3027	Master Guide Plate	19- 9
C226 3031	Lower Stopper Bracket	77- 23
C226 3301	Original Scale	11- 12
C226 3302	Both Adhesive Tape	11- 33
C226 3305	Decal - Front Original Set	11- 18
C226 3305	Decal - Front Original Set	87- 17
C226 3306	Decal - Rear Original Set	11- 28
C226 3306	Decal - Rear Original Set	87- 18
C226 3320	Contact Image Sensor - B4	17- 27
C226 3331	Enging - Long	17- 39
C226 3332	Edging - Small	17- 36
C226 3335	ADF Cover	11- 29
C226 3336	Connector Cover	11- 14
C226 3340	Xenon Lamp Harness	17- 35
C226 3341	Operation Panel Harness	11- 10
C226 3722	Upper Eject Roller - A4 (A4 Model)	61- 27
C226 3724	Lower Eject Roller - A4 (A4 Model)	61- 30
C226 4061	Left Connector Bracket	59- 10
C226 4082	Upper Master Guide Plate	59- 11
C226 4232	Cutter Unit Cover	55- 14
C226 4244	Platen Roller (A4 Model)	55- 12
C226 4250	Right Connector Bracket	53- 26
C226 4588	Tetron Screen - A4	49- 37
C226 4691	Metal Screen (A4 Model)	49- 18
C226 5074	Lift Sensor Actuator	21- 28
C226 5081	Sensor Bracket	25- 1
C226 5150	Tension Spring	23- 16
C226 6146	Rear Guide Fence	43- 22
C226 6147	Front Guide Fence	43- 23
C226 6152	Exit Guide Pin	39- 14
C226 6161	Exit Guide Rail	39- 7
C226 6163	Exit Hinge Spacer	39- 11
C226 6164	Hinge Bracket - Front Exit	39- 13
C226 6165	Hinge Bracket - Rear Exit	39- 8
C226 6166	End Fence Support Plate	43- 11

Part No.	Description	Page and Index No
C226 6167	End Fence Shaft	43- 3
C226 6168	Paper Deliverly Plate	73- 17
C226 6169	Exit Guide	43- 34
C226 6170	End Fence Guide	43- 35
C226 8007	IC - LZ9GH12	81- 2
C226 8008	IC - LC821031	81- 3
C226 8009	Oscilator - HC-49/U-S 13.1 Mhz	81- 4
C226 8042	Main Board	77- 41
C226 8042	Main Board	81- 0
C226 8045	EPROM - 1M X 8 150NS	81-240
C226 8058	AC Drive Board	77- 6
C226 8058	AC Drive Board (115V)	85- 0
C226 8063	AC Drive Board - 230V	77- 6
C226 8063	AC Drive Board - 230V	85- 0
C226 8080	Operation Panel Board	11- 30
C226 8102	DC Drive Harness	77- 44
C226 8110	AC Drive Harness - 115V	77- 32
C226 8120	AC Drive Harness - 230V	77- 32
C226 8128	Plotter Harness	53- 17
C226 8129	Sensor Harness	53- 33
C226 8130	Relay Harness - Operation	73- 20
C226 8131	Relay Harness - Scanner	73- 21
C226 8133	Realay Harness - ADF	73- 24
C226 8134	Relay Harness - ADF Sensor 2	73- 23
C226 8163	Thermal Head Harness	53- 15
C226 8164	Harness - Power Supply	53- 14
C226 8165	Relay Harness - Power Supply	77- 1
C226 8242	Power Supply Cord - 120V	77- 14
C226 8301	Power Supply Unit - 115V	77- 22
C226 8341	Power Supply Unit - 230V	77- 22
C226 8411	Positioning Sensor	75- 30
C226 8607	Operating Instructions - LT	87- 19
C226 8650	Operating Instructions - English LT	87- 19
C226 8690	Operating Instructions - English A4	87- 19
C226 8698	Operating Instractions - Eng Asia	87- 19

Part No.	Description	Page and Index No.
C227 6142	Guide Fence Slider	43- 27
C227 6145	Guide Fence Bracket	43- 29
C227 6155	Lower Guide Shaft	43- 40
C227 6156	Upper Guide Shaft	43- 41
C227 6157	Guide Fence Spring	43- 28
C227 6158	Guide Stopper	43- 42
C227 6159	End Fence Spring - Large	43- 5
C227 6160	Upper Guide Spring Plate	43- 43
C227 6162	Upper Guide Link	43- 44
C227 6166	Lower Guide - Rear Fence (A4)	43- 38
C227 6167	Lower Guide - Front Fence (A4)	43- 39
C227 6169	Sponge Seal - 4.5x65x175	43- 2
C227 6172	Upper Guide - Front Fence	43- 31
C227 6173	Upper Guide - Rear Fence	43- 30
C227 6184	End Fence	43- 1
C526 2200	Option Drum Case	89- 9
C526 2210	Decal - Drum Case (RIC)	89- 11
C526 2251	Drum Decal - Red	89- 5
C526 2252	Drum Decal - Blue	89- 6
C526 2253	Drum Decal - Green	89- 7
C526 2254	Drum Decal - Brown	89- 8
C526 2259	Drum Decal - Blank	89- 4
C533 2173	Decal - Drum Case (NRG)	89- 11
C556 2120	Decal - Drum Case (AB-Dick)	89- 11
C557 4648	Front Drum Flange	49- 28
C557 4817	Ink Tube	45- 24
C558 2131	Decal - Model Name (RIC)	89- 12
C558 2175	Decal - Model Name (NRG)	89- 12
C558 2181	Decal - Model Name (AB-Dick)	89- 12
C575 3420	Standard White Sheet	15- 45
H004 3755	Square Bushing	19- 16
H006 2316	Spacer - Pick-up Clutch	13- 13
H006 2383	Snap Ring	17- 16
H006 2383	Snap Ring	19- 3
H012 1181	Bushing- 6mm	59- 1

Part No.	Description	Page and Index No
H081 1046	Idler Gear - ADF Pick-up Roller	13- 26
H081 1065	Timing Belt - Idler 2	15- 26
H081 1065	Timing Belt - Idler 2	17- 18
H081 3407	Snap Ring - M2.5	13- 15
H081 3407	Snap Ring - M2.5	15- 14
H515 5018	Cover Switch - Fusing Exit	15- 29
H521 1050	Carriage - Scanner	17- 28
H521 1054	Slider - Carriage	17- 29
H521 1057	Spring - Image Sensor	17- 30
H521 1058	Base - Main	19- 8
H521 1061	Shaft - Slider	17- 26
H521 1062	Rail - Scanner	17- 20
H521 1064	Motor Bracket	17- 13
H521 1069	Holder - Flat Cable	17- 21
H521 1071	Spring Plate	17- 17
H521 1072	Bracket - Flat Cable Holder	17- 8
H521 1073	Bushing - M10	19- 2
H521 1074	Timing Belt	17- 15
H521 1075	Bracket - Pulley - Scanner	17- 25
H521 1078	Pulley - Scanner	17- 22
H521 1079	Wire - Scanner Drive	17- 32
H521 1080	Spring - Wire	17- 34
H521 1081	Pulley - Scanner	17- 14
H521 1082	Ground Plate - Front	17- 10
H521 1085	Ground Plate - Rear	17- 9
H521 1089	Fulcrum - Scanner Unit - Rear	19- 20
H521 1090	Bracket - Lock Lever - Front	19- 24
H521 1096	Spring - Lock Lever	19- 25
H521 1099	Handle - Lock - Lever	19- 13
H521 1100	Spring - CTM	19- 26
H521 1101	Spring - Center	19- 4
H521 1103	Cover - Original Tray	11- 15
H521 1104	Shading Sheet	11- 32
H521 1105	Platen Cover Ass'y	11- 11
H521 1110	Exposure Glass	11- 16

Part No.	Description	Page and Index No.
H521 1112	Bracket - Center	19- 6
H521 1115	Pin - CTM	19- 5
H521 1117	Base - Rear	19- 18
H521 1121	Roller	17- 38
H521 1122	Bracket - Wire	17- 31
H521 1124	Scale - Side	11- 13
H521 1127	Stopper - Shaft - Scanner	17- 24
H521 1130	Bracket - Harness - 1	19- 14
H521 1132	Bracket - Harness - 2	19- 15
H521 1140	Stopper - Upper	17- 5
H521 1141	Stopper - Lower	17- 3
H521 1142	Pin - Stopper	17- 4
H521 1143	Spring - Stopper	17- 1
H521 1144	Pin - CTM - Long	19- 27
H521 1150	Cushion - Scanner Motor	17- 12
H521 1151	Grip - Stopper	17- 2
H521 1155	Bracket - Stopper - Base	17- 7
H521 1160	Stopper Pressure Plate	11- 27
H521 1162	Base - Front	19- 7
H521 1164	Bracket - Stopper - Upper	17- 6
H521 1169	Sheet - Flexible Board - 2	17- 37
H521 1170	Sheet - Flexible Board - 3	19- 11
H521 1172	Sheet - Lever - Lock	19- 10
H521 1177	Sponge - Base	19- 31
H521 1189	Sheet - Flexible Board - 1	19- 29
H521 1196	Sheet - Flexible Board - 4	19- 30
H521 1210	ADF Roller Unit	13- 41
H521 1214	Base - ADF	13- 35
H521 1221	Sponge - Shaft - Scanner	17- 40
H521 1222	Holder - Sponge	17- 19
H521 1250	R0 Roller	15- 19
H521 1251	R1 Roller	15- 20
H521 1252	R2 Roller	15- 42
H521 1254	Lower Guide Plate	15- 39
H521 1257	Upper Cover - ADF	13- 1

Part No.	Description	Page and Index No.
H521 1258	Separation Guide	15- 21
H521 1259	Guide Plate R2	13- 29
H521 1261	Front Side Plate	15- 1
H521 1264	Rear Side Plate	15- 28
H521 1267	Motor Bracket	15- 33
H521 1268	Bracket - Pickup	13- 21
H521 1276	Shaft - Separation Unit	15- 16
H521 1278	Exposure Glass - ADF Option	13- 37
H521 1279	Joint Gear	15- 30
H521 1280	Pulley R1	15- 23
H521 1281	R2 Drive Gear	15- 4
H521 1282	Joint Gear	15- 7
H521 1283	Front Drive Gear - Reverse	15- 8
H521 1284	Front Drive Gear - Feed	15- 9
H521 1285	Middle Drive Gear - Reverse	15- 18
H521 1286	Gear - Feed Roller	13- 18
H521 1287	Gear - Pickup Roller	13- 25
H521 1288	Collar - Pickup	13- 24
H521 1289	Pressure Plate	15- 46
H521 1290	Busing	15- 10
H521 1292	Shaft - Feed Roller	13- 17
H521 1293	Joint Shaft	15- 11
H521 1294	Shaft - Pickup	13- 16
H521 1295	Shaft - Separation Roller	15- 15
H521 1296	Bushing	15- 17
H521 1297	Lock Lever	15- 6
H521 1299	Lock Shaft	15- 43
H521 1300	Spring Plate	15- 25
H521 1301	Pressure Roller - R1	13- 8
H521 1302	Guide Roller R2	13- 33
H521 1303	Spring Plate - R0	13- 5
H521 1304	Spring R1	13- 4
H521 1305	Spring Plate R2	13- 31
H521 1306	Guide Roller Shaft	13- 10
H521 1307	Guide Roller Shaft	13- 7

Part No.	Description	Page and Index No.
H521 1308	Lock Spring	15- 2
H521 1309	Timing Belt	15- 31
H521 1310	Pin Shaft	13- 36
H521 1311	Busing	15- 5
H521 1312	Pressuer Shaft Holder	15- 44
H521 1314	Spring Clutch - M6	13- 14
H521 1316	Spring Clutch - M9	13- 19
H521 1317	Pressure Spring	13- 40
H521 1318	Cover - Front	13- 9
H521 1319	Exit Roller Colar	13- 32
H521 1320	Original Table	11- 25
H521 1321	Release Lever	15- 47
H521 1322	Front Guide - Original	11- 23
H521 1323	Rear Guide - Original	11- 22
H521 1324	Original Guide Cover	11- 20
H521 1325	Original Guide Gear	11- 24
H521 1328	Cover - Rear - ADF	13- 22
H521 1330	Cover - Rear/lower - ADF	13- 28
H521 1331	Antistatic Brush	15- 40
H521 1334	Guide Mylar - Front	13- 3
H521 1335	Bushing - 8x10mm	15- 27
H521 1336	Lock Spring	15- 3
H521 1337	Guide Roller R0	13- 12
H521 1338	Cover - Front - Lower	13- 38
H521 1340	Pulley R2	15- 24
H521 1341	Plessuer Spring	15- 41
H521 1342	Guide Mylar - Rear	13- 2
H521 1348	Collor R0	13- 11
H521 1350	Pad - Pick-up	15- 22
H521 1354	Collar R1	13- 6
H521 1356	Sheet	11- 19
H521 1357	Decal - Original Level	11- 21
H521 1358	Motor Cushion	15- 35
H521 1359	Decal - Original Table	11- 26
H521 1360	Spring	15- 48

Part No.	Description	Page and Index No
H521 1364	Guide Sheet	13- 39
H521 1365	Antistatic Brushi	15- 49
H521 1366	ADF Pickup Roller	13- 23
H521 1367	Feed Roller	13- 20
H521 1368	Sheet - Interlock SW.	13- 34
H521 1372	Reverse Rollefr	15- 12
H521 1374	Bracket - Reverse	15- 13
H521 3116	Oil Damper	75- 19
H521 3117	Gear - Oil Damper	75- 31
H521 3118	Collar - Oil Damper	75- 32
H521 3139	Bracket - Ground - 1	73- 22
H521 3140	Bracket - Ground - 2	73- 15
H521 3171	Clamp - Flat Cable	73- 25
H521 4313	Seal - Operation Panel - D (LT)	11- 8
H521 5001	Lamp Stabilizer	17- 33
H521 5004	Scanner Motor - DC24V 0.7A	17- 11
H521 5010	Scanner Motor - ADF	15- 34
H521 5011	Document Sensor - S1/S3	15- 37
H521 5012	Document Sensor - S2	15- 38
H521 5305	Sensor Harness	17- 23
H521 5317	Harness - ADF	19- 12
H521 5318	Harness - Book H.P. Sensor	19- 17
H521 5319	Harness - ADF Motor	19- 28
H521 5331	Grownding Wire - 125	13- 30
H521 5332	Grownding Wire - 70	13- 27
H521 5336	Harness - ADF - L	15- 36

Part No.	Description	Page and Index No.
A030 1339	Plate Nut - Key Counter	75- 5
A153 6409	Decal - Keytop Cover	87- 1
5053 0223	Bushing - 8mm	35- 11
5053 0223	Bushing - 8mm	37- 20
5053 0419	Bushing - 10mm	25- 22
5054 0536	Magnet Catch Ass'y	47- 9
5056 0188	Bushing - 6mm - Long	57- 4
5056 0509	Nut Plate - Microswitch	77- 3
5070 0719	Bushing - 10mm	39- 2
5070 0923	Spring Washer - Rotating Table	21- 2
5203 5230	Master Sensor	53- 30
5214 5235	Paper Feed Sensor	21- 9
5309 1023	Pinion Paper Feed Table	21- 30
5400 3404	Stepped Screw	47- 13
5403 2075	Stepped Screw	25- 4
5403 2075	Stepped Screw	27- 23
5403 2075	Stepped Screw	57- 5
5403 2075	Stepped Screw	61- 17
5403 2075	Stepped Screw	69- 11
5413 2266	Spring Anchor	47- 8
5501 4719	Rubber Ring - Stopper	75- 24
5501 7559	Spring - Master Feed	35- 4
5501 8195	Steel Ball 3/16,	27- 9
5501 8328	Spring - Feed Roller Brake	31- 20
5505 6528	Spring - Press Roller	31- 3
5505 7197	Spring - Hinge - Inking	21- 29
5506 1536	Screw - M4X6	21- 1
5506 4169	Rubber Roller - Paper Feed	25- 17
5506 4608	Bushing - Paper Hold/down Roller -	23- 14
5506 4608	Bushing - Paper Hold/down Roller -	61- 23
5506 6069	Step Screw - Etching Middle Roller	49- 4
5506 6073	Stopper - Holder - Master Hold/Down	37- 13
5506 6111	Stepped Screw - M4	49- 22
5506 6314	Mylar - Master Feed Table	23- 11
5507 6032	Timing Belt Pulley - 30T	25- 20

Part No.	Description	Page and Index No
5507 6035	Timing Belt - 162XL	25- 19
5507 6055	Front Guide Plate	27- 5
5507 6058	Spring Hook - Separator Pressure	27- 11
5507 6060	Guide Screw - Front Plate	27- 26
5507 6624	Bushing - 8x16x45mm	45- 1
5507 6828	Rubber Plate - Feed Table	27- 8
5600 1080	Bush - Paper Feed Roller - Left	31- 14
5600 1081	Right Bushing - Paper Feed Roller	25- 12
5600 1086	Spacer - 10.2x20	29- 6
5600 1107	Snap Retainer - 12	21- 14
5600 1107	Snap Retainer - 12	25- 26
5606 2310	Roller	21- 24
5607 2814	Roller Spring	35- 23
5607 3261	Print Pressure Spring	35- 22
5607 3705	Drive Spring	45- 6
5607 3927	Stepped Screw - M3x8	43- 36

Part No.	Description	Page and Index No.
0252 0080Z	Philips Pan Head Screw - M2x8	61-101
0312 5050Z	Philips Pan Head Screw - M2.5x5	57-102
0313 0030B	Philips Pan Head Screw - M3x3	13-105
0313 0030B	Philips Pan Head Screw - M3x3	15-107
0313 0030Z	Philips Pan Head Screw - M3x3	61-111
0313 0040Z	Philips Pan Head Screw - M3x4	29-116
0313 0040Z	Philips Pan Head Screw - M3x4	39-103
0313 0040Z	Philips Pan Head Screw - M3x4	45-102
0313 0040Z	Philips Pan Head Screw - M3x4	51-109
0313 0040Z	Philips Pan Head Screw - M3x4	53-100
0313 0040Z	Philips Pan Head Screw - M3x4	67-121
0313 0050Z	Philips Screw - 3x5	31-107
0313 0050Z	Philips Screw - 3x5	51-107
0313 0050Z	Philips Screw - 3x5	53-102
0313 0050Z	Philips Screw - 3x5	57-105
0313 0050Z	Philips Screw - 3x5	61-106
0313 0050Z	Philips Screw - 3x5	63-113
0313 0050Z	Philips Screw - 3x5	65-110
0313 0050Z	Philips Screw - 3x5	69-107
0313 0050Z	Philips Screw - 3x5	77-108
0313 0060B	Philips Pan Head Screw - M3x6	13-107
0313 0060Z	Philips Pan Head Screw - M3x6	23-101
0313 0060Z	Philips Pan Head Screw - M3x6	35-106
0313 0060Z	Philips Pan Head Screw - M3x6	37-101
0313 0060Z	Philips Pan Head Screw - M3x6	43-104
0313 0060Z	Philips Pan Head Screw - M3x6	53-101
0313 0060Z	Philips Pan Head Screw - M3x6	57-101
0313 0060Z	Philips Pan Head Screw - M3x6	59-100
0313 0060Z	Philips Pan Head Screw - M3x6	59-103
0313 0100Z	Philips Pan Head Screw - M3x10	21-102
0313 0100Z	Philips Pan Head Screw - M3x10	41-103
0313 0140Z	Philips Pan Head Screw - M3x14	23-114
0313 0140Z	Philips Pan Head Screw - M3x14	65-111
0313 0140Z	Philips Pan Head Screw - M3x14	77-104
0314 0050Z	Philips Pan Head Screw - M4x5	61-104

Part No.	Description	Page and Index No
0314 0060Z	Philips Pan Head Screw - M4x6	25-108
0314 0060Z	Philips Pan Head Screw - M4x6	45-110
0314 0060Z	Philips Pan Head Screw - M4x6	47-108
0314 0060Z	Philips Pan Head Screw - M4x6	49-110
0314 0060Z	Philips Pan Head Screw - M4x6	51-105
0314 0060Z	Philips Pan Head Screw - M4x6	53-103
0314 0060Z	Philips Pan Head Screw - M4x6	55-101
0314 0060Z	Philips Pan Head Screw - M4x6	55-106
0314 0060Z	Philips Pan Head Screw - M4x6	63-110
0314 0060Z	Philips Pan Head Screw - M4x6	65-108
0314 0060Z	Philips Pan Head Screw - M4x6	71-112
0314 0060Z	Philips Pan Head Screw - M4x6	73-110
0314 0060Z	Philips Pan Head Screw - M4x6	77-114
0314 0080Z	Philips Screw - 4x8	9-102
0314 0080Z	Philips Screw - 4x8	21-112
0314 0080Z	Philips Screw - 4x8	23-106
0314 0080Z	Philips Screw - 4x8	25-107
0314 0080Z	Philips Screw - 4x8	27-100
0314 0080Z	Philips Screw - 4x8	31-101
0314 0080Z	Philips Screw - 4x8	35-110
0314 0080Z	Philips Screw - 4x8	39-102
0314 0080Z	Philips Screw - 4x8	49-100
0314 0080Z	Philips Screw - 4x8	51-100
0314 0080Z	Philips Screw - 4x8	63-102
0314 0080Z	Philips Screw - 4x8	65-102
0314 0080Z	Philips Screw - 4x8	69-101
0314 0080Z	Philips Screw - 4x8	71-110
0314 0080Z	Philips Screw - 4x8	73-108
0314 0080Z	Philips Screw - 4x8	75-101
0314 0080Z	Philips Screw - 4x8	77-107
0314 0100Z	Philips Screw - 4x10	35-112
0314 0100Z	Philips Screw - 4x10	69-106
0314 0120Z	Philips Screw - 4x12	27-105
0314 0120Z	Philips Screw - 4x12	71-108
0314 0200Z	Philips Screw - 4x20	31-104

Part No.	Description	Page and Index No.
0314 0350Z	Screw - M4X35	41-106
0314 0350Z	Screw - M4X35	63-103
0315 0060Z	Philips Screw - 5x6	71-113
0315 0120Z	Philips Screw - 5x12	73-104
0323 0050Z	Philips Sunken Head Screw - M3x5	49-111
0323 0060B	Philips Sunk Screw - M3x6	13-103
0323 0060Z	Philips Sunk Screw - M3x6	43-103
0323 0060Z	Philips Sunk Screw - M3x6	89-103
0323 0100Z	Philips Sunken Head Screw - M3x10	9-101
0323 0100Z	Philips Sunken Head Screw - M3x10	21-101
0323 0100Z	Philips Sunken Head Screw - M3x10	27-102
0323 0100Z	Philips Sunken Head Screw - M3x10	53-109
0324 0060Z	Philips Sunken Head Screw - M4x6	21-110
0333 0080D	Philips Counter Sunk Screw - M3x8	9-107
0343 0060W	Philips Pan Head Screw - M3x6	43-101
0344 0080D	Philips Truss Head Screw - M4x8	9-104
0353 0060Z	Screw - M3X6	11-102
0353 0080Z	Philips Trass Head Screw - M3x8	11-103
0353 0100Z	Bind Screw - M3x10	11-104
0353 0100Z	Bind Screw - M3x10	17-102
0413 0052Z	Tapping Screw - M3x5	89-101
0433 0080Z	Tapping Screw - M3x8	9-100
0433 0080Z	Tapping Screw - M3x8	35-117
0433 0080Z	Tapping Screw - M3x8	63-116
0433 0082Z	Tapping Screw - M3x8	89-102
0434 0060Z	Pan Head Self-tapping Screw - M4x6	41-102
0434 0060Z	Pan Head Self-tapping Screw - M4x6	47-103
0434 0060Z	Pan Head Self-tapping Screw - M4x6	53-110
0434 0060Z	Pan Head Self-tapping Screw - M4x6	59-105
0434 0060Z	Pan Head Self-tapping Screw - M4x6	61-102
0434 0060Z	Pan Head Self-tapping Screw - M4x6	63-107
0434 0060Z	Pan Head Self-tapping Screw - M4x6	65-103
0434 0062W	Pan Head Tapping Screw - M4x6	21-111
0434 0062W	Pan Head Tapping Screw - M4x6	65-106
0434 0080Z	Pan Head Self-tapping Screw - M4x8	25-109

Part No.	Description	Page and Index No
0434 0080Z	Pan Head Self-tapping Screw - M4x8	27-107
0434 0080Z	Pan Head Self-tapping Screw - M4x8	27-109
0434 0080Z	Pan Head Self-tapping Screw - M4x8	45-108
0434 0080Z	Pan Head Self-tapping Screw - M4x8	47-105
0434 0080Z	Pan Head Self-tapping Screw - M4x8	53-104
0434 0080Z	Pan Head Self-tapping Screw - M4x8	55-104
0434 0080Z	Pan Head Self-tapping Screw - M4x8	65-100
0434 0080Z	Pan Head Self-tapping Screw - M4x8	73-109
0434 0080Z	Pan Head Self-tapping Screw - M4x8	77-106
0434 0082Z	Tapping Screw - M4x8	9-105
0434 0082Z	Tapping Screw - M4x8	51-104
0434 0100Z	Pan Head Self-tapping Screw - M4x10	47-101
0434 0100Z	Pan Head Self-tapping Screw - M4x10	73-102
0434 0100Z	Pan Head Self-tapping Screw - M4x10	75-102
0450 3008W	Philips Tapping Screw - M3x8	43-105
0450 4008W	Philips Tapping Screw - M4x8	9-108
0450 4008W	Philips Tapping Screw - M4x8	43-107
0451 3006B	Tapping Screw - M3x6	17-103
0573 0040E	Hexagon Headless Set Screw - M3x4	51-108
0573 0050E	Hexagon Headless Set Screw - M3x5	31-105
0573 0050E	Hexagon Headless Set Screw - M3x5	67-120
0574 0040E	Hexagon Headless Set Screw - M4x4	23-105
0574 0040E	Hexagon Headless Set Screw - M4x4	25-106
0574 0040E	Hexagon Headless Set Screw - M4x4	55-105
0574 0040E	Hexagon Headless Set Screw - M4x4	71-102
0574 0050E	Hexagon Headless Set Screw - M4x5	45-107
0574 0050E	Hexagon Headless Set Screw - M4x5	49-115
0574 0050E	Hexagon Headless Set Screw - M4x5	71-117
0575 0080E	Hexagon Headless Set Screw - M5x8	49-103
0584 0061W	Hexagon Bolt - M4x6	75-108
0584 0121Z	Hexagon Bolt - M4x12	35-104
0584 0121Z	Hexagon Bolt - M4x12	37-105
0584 0121Z	Hexagon Bolt - M4x12	37-107
0585 0100Z	Bolt - M5x10	33-110
0586 0451Z	Hexagon Bolt - M6x45	35-122

Part No.	Description	Page and Index No.
0593 0080E	Bolt - M3x8	35-118
0593 0080E	Bolt - M3x8	37-108
0593 0080E	Bolt - M3x8	41-107
0594 0060E	Socket Screw - 4X6	29-110
0594 0060E	Socket Screw - 4X6	33-104
0594 0060E	Socket Screw - 4x6	35-103
0594 0060E	Socket Screw - 4x6	51-101
0594 0080E	Bolt - M4x8	25-102
0594 0080E	Bolt - M4x8	47-106
0594 0080E	Bolt - M4x8	67-112
0594 0080E	Bolt - M4x8	73-103
0594 0080Z	Bolt - M4x8	49-113
0595 0080Z	Bolt - M5x8	45-100
0595 0120E	Socket Screw - M5x12	71-107
0595 0140E	Hexagon Bolt - M5x14	49-102
0622 0060E	Spring Pin - 2x6mm	69-102
0622 0250E	Spring Pin M2x250	75-107
0623 0080E	Spring Pin - 3x8mm	45-106
0623 0100E	Spring Pin - 3x10mm	29-114
0623 0100E	Spring Pin - 3x10mm	35-101
0623 0120E	Spring Pin - M3x12	61-107
0623 0120E	Spring Pin - M3x12	69-103
0623 0140E	Spring Pin - 3x14mm	69-108
0623 0160E	Spring Pin - 3x16mm	41-101
0623 0180E	Spring Pin - 3x18mm	39-101
0623 0200E	Spring Pin - 3x20mm	71-114
0624 0160E	Spring Pin - 4x16mm	23-103
0624 0220E	Spring Pin - 4x20mm	23-104
0700 0060G	Flat Washer - M6	35-102
0701 0030Z	Flat Washer - M3	67-101
0701 0040Z	Flat Washer - M4	21-108
0701 0040Z	Flat Washer - M4	25-103
0701 0040Z	Flat Washer - M4	29-107
0701 0040Z	Flat Washer - M4	33-105
0701 0040Z	Flat Washer - M4	35-121

Part No.	Description	Page and Index No
0701 0060Z	Flat Washer - M6	57-103
0701 0080Z	Flat Washer - M8	21-100
0707 4160B	Bushing - 4x16mm	45-103
0707 6040B	Bushing - 6x4mm	67-118
0707 6080B	Bushing - 6x8mm	67-106
0707 6120B	Bushing - 6x12mm	67-105
0707 8105B	Bushing - M8x10.5	43-102
0710 0030Z	Hex Nut 3	21-107
0710 0040Z	Hex Nut 4	35-105
0710 0040Z	Hex Nut 4	37-106
0712 0060Z	Hexagon Nut - M6	29-109
0712 0060Z	Hexagon Nut - M6	71-109
0713 0040B	Hexagon Nut - M4	25-104
0713 0040B	Hexagon Nut - M4	27-104
0713 0040B	Hexagon Nut - M4	29-103
0713 0040B	Hexagon Nut - M4	33-108
0713 0050B	Hexagon Nut - M5	29-117
0713 0050B	Hexagon Nut - M5	33-102
0713 0050B	Hexagon Nut - M5	35-115
0713 0050B	Hexagon Nut - M5	67-100
0713 0050B	Hexagon Nut - M5	71-101
0713 0050B	Hexagon Nut - M5	73-101
0720 0030E	Retaining Ring - M3	17-106
0720 0030E	Retaining Ring - M3	19-103
0720 0030Z	Retaining Ring - M3	37-100
0720 0030Z	Retaining Ring - M3	43-100
0720 0030Z	Retaining Ring - M3	61-103
0720 0030Z	Retaining Ring - M3	63-105
0720 0040E	Retaining Ring - M4	13-102
0720 0040E	Retaining Ring - M4	15-102
0720 0040E	Retaining Ring - M4	17-101
0720 0040E	Retaining Ring - M4	77-113
0720 0040Z	Retaining Ring - M4	21-104
0720 0040Z	Retaining Ring - M4	25-101
0720 0040Z	Retaining Ring - M4	29-113

Part No.	Description	Page and Index No.
0720 0040Z	Retaining Ring - M4	33-101
0720 0040Z	Retaining Ring - M4	35-116
0720 0040Z	Retaining Ring - M4	53-106
0720 0040Z	Retaining Ring - M4	57-100
0720 0040Z	Retaining Ring - M4	59-101
0720 0040Z	Retaining Ring - M4	61-100
0720 0040Z	Retaining Ring - M4	63-104
0720 0040Z	Retaining Ring - M4	67-104
0720 0050Z	Retaining Ring - M5	23-112
0720 0050Z	Retaining Ring - M5	25-105
0720 0050Z	Retaining Ring - M5	31-103
0720 0050Z	Retaining Ring - M5	45-112
0720 0050Z	Retaining Ring - M5	47-104
0720 0050Z	Retaining Ring - M5	49-109
0720 0050Z	Retaining Ring - M5	51-111
0720 0050Z	Retaining Ring - M5	53-108
0720 0050Z	Retaining Ring - M5	57-104
0720 0050Z	Retaining Ring - M5	59-106
0720 0050Z	Retaining Ring - M5	61-108
0720 0050Z	Retaining Ring - M5	63-114
0720 0050Z	Retaining Ring - M5	69-109
0720 0050Z	Retaining Ring - M5	75-105
0720 0060E	Retaining Ring - M6	15-103
0720 0060Z	Retaining Ring - M6	21-105
0720 0060Z	Retaining Ring - M6	25-113
0720 0060Z	Retaining Ring - M6	29-105
0720 0060Z	Retaining Ring - M6	31-100
0720 0060Z	Retaining Ring - M6	35-108
0720 0060Z	Retaining Ring - M6	37-104
0720 0060Z	Retaining Ring - M6	45-109
0720 0060Z	Retaining Ring - M6	47-109
0720 0060Z	Retaining Ring - M6	55-108
0720 0060Z	Retaining Ring - M6	63-106
0720 0070E	Retaining Ring - M7	15-104
0720 0070Z	Retaining Ring - M7	53-107

Part No.	Description	Page and Index No
0720 0070Z	Retaining Ring - M7	55-102
0720 0080Z	Retaining Ring - M8	23-102
0720 0080Z	Retaining Ring - M8	29-106
0720 0080Z	Retaining Ring - M8	33-100
0720 0080Z	Retaining Ring - M8	35-113
0720 0080Z	Retaining Ring - M8	39-100
0720 0080Z	Retaining Ring - M8	41-100
0720 0080Z	Retaining Ring - M8	63-111
0720 0080Z	Retaining Ring - M8	67-109
0720 0080Z	Retaining Ring - M8	71-103
0720 0120Z	Retaining Ring - M12	23-107
0720 0120Z	Retaining Ring - M12	35-109
0720 0120Z	Retaining Ring - M12	67-116
0725 0100Z	Retaining Ring - M10	67-114
0725 0160E	Retaining Ring C - M16	51-102
0725 0220Z	Retaining Ring - M22	29-100
0740 3007	Ball Bearing - 7x19x6mm	29-101
0740 3007	Ball Bearing - 7x19x6mm	35-120
0740 3008	Ball Bearing - 8x22x7	55-107
0740 3010	Ball Bearing - 10x26x8mm	31-102
0740 3010	Ball Bearing - 10x26x8mm	67-117
0740 3206	Ball Bearing - 6x19x6	35-100
0740 3206	Ball Bearing - 6x19x6	51-106
0740 3808	Ball Bearing - 8x16x5mm	33-107
0741 3706	Ball Bearing - 6x10x3	23-109
0741 3807S	Ball Bearing - 7x14x5	29-112
0741 3807S	Ball Bearing - 7x14x5	71-115
0741 3908S	Ball Bearing - 8x19x6	71-111
0801 1004	Screw - M4X4	9-103
0801 1004	Screw - M4x4	27-101
0801 1004	Screw - M4X4	31-108
0801 1004	Screw - M4X4	65-112
0801 1004	Screw - M4x4	73-105
0801 1135	Philips Pan Head Screw - M3x3	63-112
0801 1135	Philips Pan Head Screw - M3x3	67-102

Part No.	Description	Page and Index No.
0801 1135	Philips Pan Head Screw - M3x3	75-104
0801 1135	Philips Pan Head Screw - M3x3	77-105
0802 5205	Tapping Screw - M3x6	15-101
0802 5205	Tapping Screw - M3x6	17-107
0802 5206	Tapping Screw - M3x8	15-105
0802 5230	Tapping Screw - M3x10	13-101
0804 4046	Spring Pin - 4x16	67-111
0804 4046	Spring Pin - 4x16	71-116
0804 4048	Spring Pin - 4x20	67-113
0804 4055	Pin	25-111
0804 6090	Hexagon Bolt - M4	33-109
0804 6091	Hexagonal Set Screw - M2x5	49-114
0804 6092	Hexagonal Set Screw	35-114
0804 6092	Hexagonal Set Screw	71-105
0804 6101	Hexagon Bolt - M3	35-119
0805 3104	Ball Bearing - 8x22x7mm	67-107
0805 3134	Ball Bearing - 10x26x8mm	67-115
0805 3263	Bearing - 6x10x6mm	25-112
0805 3263	Bearing - 6x10x6mm	59- 4
0805 3386	Bushing - 8mm	13-104
0805 3452	Ball Bearing - 10x22x6mm	41-105
0805 6009	Rubber Foot	73-107
0807 2071	Washer - 3.1x7x0.2mm	67-119
0807 3041	Spring Washer	61-109
0807 3103	Washer - 4x13x2.3mm	49-107
0807 4076	Washer - 8.2x6.1x0.3mm	23-108
0807 4118	Flat Washer	63-115
0807 4126	Flat Washer - 6.2x12x0.2mm	49-104
0807 5004	Washer	29-102
0807 5044	Spacer - 8.1mm x 11.5mm x 0.2	49-105
0807 5076	Washer - 8x13x2.2mm	49-106
0807 7013	Spacer - 10.2x14x0.2mm	29-108
0807 7013	Spacer - 10.2x14x0.2mm	67-110
0807 7013	Spacer - 10.2 x 14 x 0.2 mm	71-104
0807 7018	Washer - M10	29-104

Part No.	Description	Page and Index No
0807 7018	Washer - M10	33-103
0807 7055	Holder - Main Shaft	29-111
0807 7114	Washer - 16x24x0.3mm	49-117
0807 7114	Washer - 16x24x0.3mm	51-112
0950 3010B	Philips Screw With Spring Was	85-101
0951 3005Z	Philips Pan Head Screw - M3x5	27-108
0951 3005Z	Philips Pan Head Screw - M3x5	69-104
0951 3006B	Philips Screw With Flat Washer - M3x6	11-101
0951 3006B	Philips Screw With Flat Washer - M3x6	13-106
0951 3006B	Philips Screw With Flat Washer - M3x6	17-104
0951 3006B	Philips Screw With Flat Washer - M3x6	19-102
0951 3006B	Philips Screw With Flat Washer - M3x6	77-112
0951 3006Z	Philips Screw With Flat Washer - M3	9-106
0951 3006Z	Philips Screw With Flat Washer - M3	21-109
0951 3006Z	Philips Screw With Flat Washer - M3	23-111
0951 3006Z	Philips Screw With Flat Washer - M3	25-110
0951 3006Z	Philips Screw With Flat Washer - M3	27-103
0951 3006Z	Philips Screw With Flat Washer - M3x6	61-105
0951 3006Z	Philips Screw With Flat Washer - M3x6	69-105
0951 3006Z	Philips Screw With Flat Washer - M3	75-106
0951 3006Z	Philips Screw With Flat Washer - M3x6	77-117
0951 3025Z	Philips Screw With Flat Washer - M3x25	77-119
0951 4005Z	Philips Screw With Flat Washer - M4x5	23-100
0951 4006Z	Philips Screw With Flat Washer - M4	29-115
0951 4006Z	Philips Screw With Flat Washer - M4	31-106
0951 4006Z	Philips Screw With Flat Washer - M4x6	45-101
0951 4006Z	Philips Screw With Flat Washer - M4	47-102
0951 4006Z	Philips Screw With Flat Washer - M4x6	49-108
0951 4006Z	Philips Screw With Flat Washer - M4x6	51-110
0951 4008Z	Philips Screw With Flat Washer M4x8	21-106
0951 4008Z	Philips Screw With Flat Washer M4x8	27-106
0951 4008Z	Philips Screw With Flat Washer M4x8	35-107
0951 4008Z	Philips Screw With Flat Washer M4x8	49-116
0951 4008Z	Philips Screw With Flat Washer M4x8	77-115
0951 4010Z	Philips Screw With Flat Washer M4x10	21-103

Part No.	Description	Page and Index No.
0951 4010Z	Philips Screw With Flat Washer M4x10	33-106
0951 4010Z	Philips Screw With Flat Washer M4x10	45-111
0951 4010Z	Philips Screw With Flat Washer M4x10	55-103
0951 4020Z	Philips Screw With Flat Washer - M4x20	45-105
0951 5008Z	Philips Screw With Flat Washer - M5x8	67-103
0951 5035Z	Philips Screw W/T Flat Washer - M3x35	73-106
0951 5035Z	Philips Screw W/T Flat Washer - M3x35	75-103
0960 3016B	Philips Flange Screw - M3x16	77-103
0960 4005Z	Philips Flange Screw - M4x5	63-101
0960 4006Z	Philips Frang Screw - M4x6	23-110
0960 4006Z	Philips Frang Screw - M4x6	45-104
0960 4006Z	Philips Frang Screw - M4x6	49-112
0960 4008Z	Flange Head Screw - 4x8	37-102
0960 4008Z	Flange Head Screw - 4x8	41-104
0960 4008Z	Flange Head Screw - 4x8	67-108
0960 4008Z	Flange Head Screw - 4x8	71-100
0960 4008Z	Flange Head Screw - 4x8	71-106
0960 4008Z	Flange Head Screw - 4x8	77-109
0960 4010Z	Philips Flange Screw - M4x10	63-100
0960 4010Z	Philips Flange Screw - M4x10	77-116
0960 5008Z	Philips Flange Screw - M5x8	37-103
0964 3008Z	Tapping Screw W/flat Washer - M3x8	63-109
0964 4008Z	Tapping Screw W/Washer - M4x8	47-107
0964 4008Z	Tapping Screw W/Washer - M4x8	59-102
0964 4008Z	Tapping Screw W/Washer - M4x8	61-110
0964 4010Z	Tapping Screw W/Washer - M4x10	65-101
0965 3012W	Tapping Screw With Flat Washer - M3	43-106
1002 0307	Jumper Wire	85-102
1004 0126	Insulating Sheet - 19x24	85-103
1005 0820	Heat Sink - T220n(31)	85-104
1101 0328	Connector Pin Contact	81-101
1102 0907	Connector - 6p	81-102
1102 0913	Connector - 9p	85-105
1102 1341	Connector - 8p	49-101
1102 4201	Connector - 2p	85-106

Part No.	Description	Page and Index No
1102 4206	Connector - 7p	85-107
1102 4210	Connector - 11p	81-103
1102 4212	Ct Header - 15p	81-104
1102 4497	Connector - 13p	81-105
1102 4512	Connector - 28p	81-106
1102 4623	Ct Connector - 6p	81-107
1102 4635	Connector - 6p	81-108
1102 5009	Connector - 26p	81-109
1102 5411	Connector - 24p	81-110
1102 5413	Connector - 28p	81-111
1102 5414	Connector - 30p	81-112
1102 5420	Connector - 30p	81-113
1102 6595	Connector - 11p	81-114
1102 6612	Connector - 2p	85-108
1102 7031	Connector - SIEM11S-2	81-115
1102 7282	Connector - 4p	85-109
1102 7283	Connector - 3p	85-110
1104 0351	Fuse Holder (115V)	85-111
1104 0378	IC Socket - 24P - DDCF-24CS-E	81-116
1104 0473	32p - IC Socket	81-117
1105 0108	Nylon Clip	65-104
1105 0144	Harness Clamp	53-105
1105 0144	Harness Clamp	59-104
1105 0153	Clamp	15-108
1105 0209	Clamp	51-103
1105 0260	Wire Saddle	15-109
1105 0283	Clamp	15-106
1105 0283	Clamp	19-104
1105 0310	Wire Clamp	17-105
1105 0310	Wire Clamp	19-101
1106 0302	One Touch Bushing - NB410	85-112
1106 0303	One Touch Bushing - NB400	85-113
1106 0793	Fuse Holder Cover	85-111
1107 0389	Fuse - 2.5A	77-110
1107 0389	Fuse - 2.5A (115V)	85-114

Part No.	Description	Page and Index No.
1107 0392	Fuse (glass Case) - 6.3A - 125V	77-111
1107 0392	Fuse (glass Case) - 6.3A - 12	85-115
1107 0749	Fuse - 2.5A (230V)	85-114
1107 0751	Fuse - 4A 250V	85-115
1204 1015	Dip Switch	81-118
1204 1545	Main Switch	77-118
1204 2376	Micro Switch - V-162-3C25	65-109
1204 2376	Micro Switch - V-162-3C25	77-102
1204 2382	Interlock Switch - Fail-CA22	77-101
1204 2424	Micro Switch - V-15-2A5(10e)	23-113
1208 1041	Relay - G2R-2-TU - DC24V (230V)	85-118
1208 1263	Relay - G2r-2a-tu - AC100V	85-116
1208 1353	Relay - AC250V 10A	85-117
1208 1354	Relay - AC250V 5A (115V)	85-118
1400 0429	Transistor - Npn Tr:2SC3070	81-119
1401 0289	Transistor - 2SC2749	85-119
1401 0366	Transistor - 2SD799	85-120
1401 0400	Transistor Array - SLA4060	81-120
1401 0977	Transistor - LB1213M	81-121
1402 0110	Silicon Diode - 200V - 1.7a(r	85-121
1402 0426	Zener Diode - RD12FB2	85-122
1402 0646	Diode - S5VB20	85-123
1402 0694	Zener Diode - 02CZ2.7	81-122
1402 0804	Silicon Diode - 45V - 0.3A	81-123
1402 0959	Silicon Diode - 1S2076A	85-124
1402 1263	Diode - 200v - 1A	81-124
1403 0456	Photosensor - EE-SB5-C3	41- 6
1403 0519	Photocoupler - TLP621	85-125
1403 0669	Red LED - SLM-13VW	81-125
1404 0126	Serge Absorber (115V)	85-126
1404 0247	Varistor - 470V - 0.4W (230V)	85-126
1404 0275	Lightning Arrester - 3600V - 1000A	85-127
1404 0318	Lightning Arrester - 3KV/1KA-	85-127
1404 0335	Varistor - NV220D20	85-128
1407 1598	TTLIC - SN74LS125ANS	81-126

Part No.	Description	Page and Index No
1407 1600	TTLIC - SN74LS244NS	81-127
1407 1813	IC - SN74LS11NS	81-128
1407 1882	TTLIC - SN74LS373NS	81-129
1407 1984	IC - SH74LS123NS	81-130
1407 2058	IC - 82C54FP-6	81-131
1407 2077	TTLIC - SN74LS138NS	81-132
1407 2182	IC SN74HC244NS	81-133
1407 2187	TTLIC - SN74LS07NS	81-134
1407 2218	TTLIC - SN74LS06NS	81-135
1407 2231	IC - TD62308AF	81-136
1407 2261	IC - NJM2902M	81-137
1407 2273	IC - TA8050P	81-138
1407 2339	TTLIC - SN74LS241NS	81-139
1407 2348	IC - TC4051BF	81-140
1407 3281	IC - TC74HCU04AF	81-141
1407 4286	IC - MK48Z52B - 15	81-142
1407 4401	LSI-TE6250A	81-143
1407 4462	IC - UPD78217AGC-AB8	81-144
1407 4612	IC - CY7C167A-35VC	81-145
1408 0565	IC - UPC311G	81-146
1408 0569	IC - NJM78M05FA	81-147
1408 0571	IC - NJM79M05F-A	81-148
1408 0595	IC - NJM2904M	81-149
1408 0611	IC - 3771	81-150
1408 0827	IC - TA8429H	85-129
1408 1050	IC - STK6712BMK4	81-151
1408 1104	IC - MB2803PF-G	81-152
1408 1134	Operational Amplifier - AD817AN	81-153
1502 0052	Buzzer - MEB-12C-5	81-154
1503 0071	Oscillator - 12Mhz	81-155
1600 1522	Resistor - 6.8K Ω 7W \pm 10%	85-130
1600 1523	Resistor - 1 Ω 10W \pm 10%	85-131
1601 1413	Resistor - RCB8C330J	81-156
1601 7751	Resistor - 4.7K Ω \pm 5%	81-157
1601 7752	Resistor Array - 10K Ω \pm 5%	81-158

Part No.	Description	Page and Index No.
1601 7758	Resistor - 4.7K Ω	81-159
1601 7791	Resistor Array - 1K Ω \pm 5%	81-160
1601 7796	Resistor Array - 2.2K Ω \pm 5%	81-161
1601 8145	Variable Resistor - 5K Ω 0.5W	81-162
1601 8157	Variable Resistor - 100K Ω	81-163
1601 8186	Variable Resistor - 200K Ω	81-164
1602 1501	Resistor - 120 Ω 0.1 μ F	85-132
1604 1534	Capacitor - 100 μ F 200V	85-133
1604 2089	Capacitor - 1.0 μ F 1/8W \pm 20%	81-165
1604 2359	Capacitor - 100 μ F Dc50v \pm 20%	85-134
1605 0237	Capacitor - 0.033 μ F 25V	81-166
1605 0599	Capacitor - 0.1 μ F \pm 10%	81-167
1605 0744	Capacitor - EMK212F105Z	81-168
1605 0780	Capacitor - 0.022 μ F \pm 5% 25V	81-169
1605 0794	Capacitor - 3300PF \pm 20% 400V	85-135
1606 1861	Capacitor - 0.1 μ F \pm 10% 250V	85-136
1606 1983	Capacitor - 0.015 μ F \pm 5% 50V	81-170
1606 2028	Capacitor - 0.22 μ F \pm 5%	81-171
1607 0001	Coil - SN-8S-500	81-172
1607 0477	Coil - BLM21A121SPB	81-173
1611 4511	Resistor - 510 Ω 1/4T \pm 5%	85-137
1611 4911	Resistor - 910 Ω 1/4T 5%	85-138
1611 6361	Resistor - 360 Ω 1/8T \pm 5%	81-174
1611 6470	Resistor - 47 Ω 1/2T \pm 5%	81-175
1611 6474	Resistor - 470K Ω 1/2W	85-139
1630 1101	Resistor - 100 Ω 1/4W \pm 5%	81-176
1630 2201	Resistor - 200 Ω \pm 5% 1/8W	81-177
1630 2220	Resistor - 22 Ω 1/8W \pm 5%	81-178
1630 3102	Resistor - 1K Ω 1/10W \pm 5%	81-179
1630 3103	Resistor - 10K Ω 1/10W \pm 5%	81-180
1630 3105	Resistor - 1M Ω \pm 5% 1/10W	81-181
1630 3111	Resistor - 100 Ω \pm 5% 1/10W	81-182
1630 3121	Resistor - 120 Ω \pm 5% 1/10W	81-183

Part No.	Description	Page and Index No
1630 3124	Resistor - 120 Ω \pm 5% 1/10W	81-184
1630 3133	Resistor - 13K Ω \pm 5% 1/10W	81-185
1630 3151	Resistor - 150 Ω \pm 5% 1/10W	81-186
1630 3154	Resistor - 150K OHM \pm 5% 1/10W	81-187
1630 3203	Resistor - 20 Ω \pm 5% 1/10W	81-188
1630 3221	Resistor - 220 Ω \pm 5% 1/10W	81-189
1630 3222	Resistor - 2.2K Ω 1/10W \pm 5%	81-190
1630 3223	Resistor - 22k Ω - 1/10W	81-191
1630 3242	Resistor - 2.4K Ω \pm 5% 1/10W	81-192
1630 3243	Resistor - 24K Ω \pm 5% 1/10W	81-193
1630 3244	Resistor - 240K Ω \pm 5% 1/10W	81-194
1630 3271	Resistor - 270 Ω +5% 1/10W	81-195
1630 3302	Resistor - 3k Ω - 1/10W	81-196
1630 3303	Resistor - 30K Ω \pm 5% 1/10W	81-197
1630 3332	Resistor - 3.3K Ω 1/10W \pm 5%	81-198
1630 3333	Resistor - 33K Ω \pm 5% 1/10W	81-199
1630 3361	Resistor - 360 Ω \pm 5% 1/10W	81-200
1630 3391	Resistor - 390 Ω 1/10W \pm 5%	81-201
1630 3470	Resistor - 47 Ω 1/10W \pm 5%	81-202
1630 3471	Resistor - 470 Ω - 1/10W	81-203
1630 3472	Resistor - 4.7K Ω 1/10W \pm 5%	81-204
1630 3473	Resistor - 47K Ω 1/10W \pm 5%	81-205
1630 3474	Resistor - 470K Ω \pm 5% 1/10W	81-206
1630 3511	Resistor - 510 Ω \pm 5% 1/10W	81-207
1630 3513	Resistor - 51K Ω \pm 5% 1/10W	81-208
1630 3514	Resistor - 510K Ω \pm 5% 1/10W	81-209
1630 3562	Resistor - 5.6K Ω +5% 1/10W	81-210
1630 3681	Resistor - 680 Ω \pm 5% 1/10W	81-211
1630 3682	Resistor - 6.8k Ω - 1/10W	81-212
1630 3683	Resistor - 68K Ω \pm 5% 1/10W	81-213
1630 3750	Resistor 75 Ω \pm 5% 1/10W	81-214
1630 3823	Resistor - 82K Ω \pm 5% 1/10W	81-215
1630 3824	Resistor - 820K Ω \pm 5% 1/10W	81-216

Part No.	Description	Page and Index No.
1633 3601	Resistor - 3.6K Ω \pm 5% 1/10W	81-217
1633 3741	Resistor - 3.7K Ω \pm 5% 1/10W	81-218
1633 3901	Resistor - 3.9 Ω \pm 1% 1/10W	81-219
1633 4121	Resistor - 4.12K Ω \pm 1%	81-220
1633 4991	Resistor - 4.99K Ω \pm 1%	81-221
1633 5100	Resistor - 510 Ω \pm 1% 1/10W	81-222
1633 6040	Resistor - 604 Ω \pm 5% 1/10W	81-223
1633 6041	Resistor - 6.04K Ω \pm 1%	81-224
1633 7500	Resistor - 750 Ω \pm 5% 1/10W	81-225
1633 7501	Resistor - 7.5K Ω \pm 5% 1/10W	81-226
1633 8870	Resistor - 887 Ω \pm 5% 1/10W	81-227
1633 9101	Resistor - 9.1K Ω 1/10W	81-228
1640 1101	Capacitor - 100 μ F - \pm 20% 16V	81-229
1640 2470	Capacitor - 47 μ F \pm 20% 25V	81-230
1640 3101	Capacitor - 100 μ F \pm 20% 35V	81-231
1640 5100	Capacitor - 10 μ F +20% 35V	81-232
1640 5100	Capacitor - 10 μ F +20% 35V	85-140
1640 5470	Capacitor - 47 μ F +20%	85-141
1660 2151	Capacitor - 150PF \pm 20% 35V	81-233
1660 2220	Capacitor - 22PF \pm 20% 35V	81-234
1660 2270	Capacitor - 27PF \pm 20% 35V	81-235
1660 2471	Capacitor - 470pf - \pm 5% - 50V	81-236
1660 3102	Capacitor - 1000PF \pm 5% 50V	81-237
1660 5103	Capacitor - 10000PF \pm 10% 50V	81-238
1902 0002	IC - 64K X8 70NS G1	81-239

Part No.	Description	Page and Index No